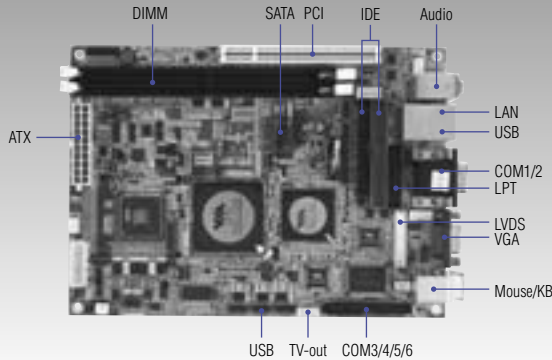


PCM-9566

Onboard VIA Eden™ M EBX SBC with Audio, VGA/2 LVDS and 8 x USB2.0

NEW



Features

- Embedded VIA Eden™/ C7® CPU (128 KB L2 cache)
- Up to 2GB DDR2 DIMM (support FSB 400/533 MHz)
- Support 2 channel 24-bit LVDS- Dual independent displays
- Supports TV-out HDTV & SDTV(optional)
- Supports eight USB 2.0 ports
- Two SATA Ports
- Supports six COMs
- Supports sixteen digital in / sixteen digital out or four digital in / four digital out

Specifications

General

- **CPU** Embedded VIA C7/Eden with FSB 400 MHz Processor supported
VIA C7 2.0 GHz PCM-9566F-U0A1E
VIA C7 1.0 GHz PCM-9566F-S0A1E
VIA EDEN 400 MHz PCM-9566F-J0A1E
Depends on CPU with 128KB
- **2nd Cache Memory**
- **System Chipset** VIA CN700 GMCH / VT8237R Plus Chipset
- **BIOS** AWARD® 512 K Byte Flash BIOS
- **System Memory** 2 x 240-pin DIMM sockets, Double Data Rate (DDR2)
128 MB to 2 GB, accept 128/256/512/1024 MB DDR2 up to 400/533 DRAM
- **Power Management** APM1.2, ACPI support
- **SSD** Supports CompactFlash® Card TYPE I/II (shared 2nd IDE Channel)
- **Watchdog Timer** 255-level interval timer, setup by software, Super I/O integrated, Winbond Controller
- **Expansion Interface** Supports Mini PCI interface, 1 x PCI Slot
- **Battery** Lithium 3 V/196 mA

I/O

- **I/O Interface** 2 x EIDE (UDMA 100/UDMA 33), 2 x SATA 150, 1 x K/B, 1 x Mouse, 5 x RS232, 1 x RS232/422/485, 1 x LPT
- **USB** 8 x USB 2.0 compliant Ports
- **Audio** AC97 Audio codec ALC 650
Supports Speaker out, CD-input, Line-in, Line-out, Microphone
- **IrDA** -
- **GPIO** 32-bit general purpose 16 input/16 output or 8-bit general purpose 4 input/4 output

Ethernet

- **Chipset** 1 x Realtek 8100C (Realtek 8110S optional)
- **Speed** 10/100 Mbps (10/100/1000 Mbps optional)
- **Interface** 1 x RJ45 by cable
- **Standard** IEEE 802.3u 100Base-T

Display

- **Chipset** VIA CN700 GMCH chip integrated (Integrated 128-bit 2D/3D graphics engine)
- **Memory Size** 32 bit interface to address up to 2 GB of memory
- **Resolution** CRT Display mode: pixel resolution up to QXGA (2048 x 1536)
LCD Display mode: Dual channel LVDS panel supports up to UXGA panel resolution with frequency range from 25 MHz to 112 MHz
- **LCD Interface** 2 Channel LVDS (48-bit)
- **LVDS** Hirose connector support up to 2 channel (1 x 48-bit) LVDS LCD Panel
- **TV-Out (optional)** Supports both NTSC/PAL, S-video and Composite Video
TV-Out has three integrated 10-bit DACs with HDTV support (480p/720p/1080i/1080p)
CRT + LVDS; CRT + TV-Out
- **Dual Ind. Display** Dual independent display options with digital display

Mechanical and Environmental

- **Dimension (L x W)** 203 x 146 mm (8" x 5.75")
- **Weight** 0.85 kg (weight of total package)
- **Operating Temperature** 0 ~ 60° C (32 ~ 140° F)
- **Operating Humidity** 0% ~ 90% relative humidity, non-condensing
- **Storage Temperature** -20 ~ 70° C (accessories Storage temperature: -20 ~ 60° C)
- **Storage Humidity** 95% @ 60° C

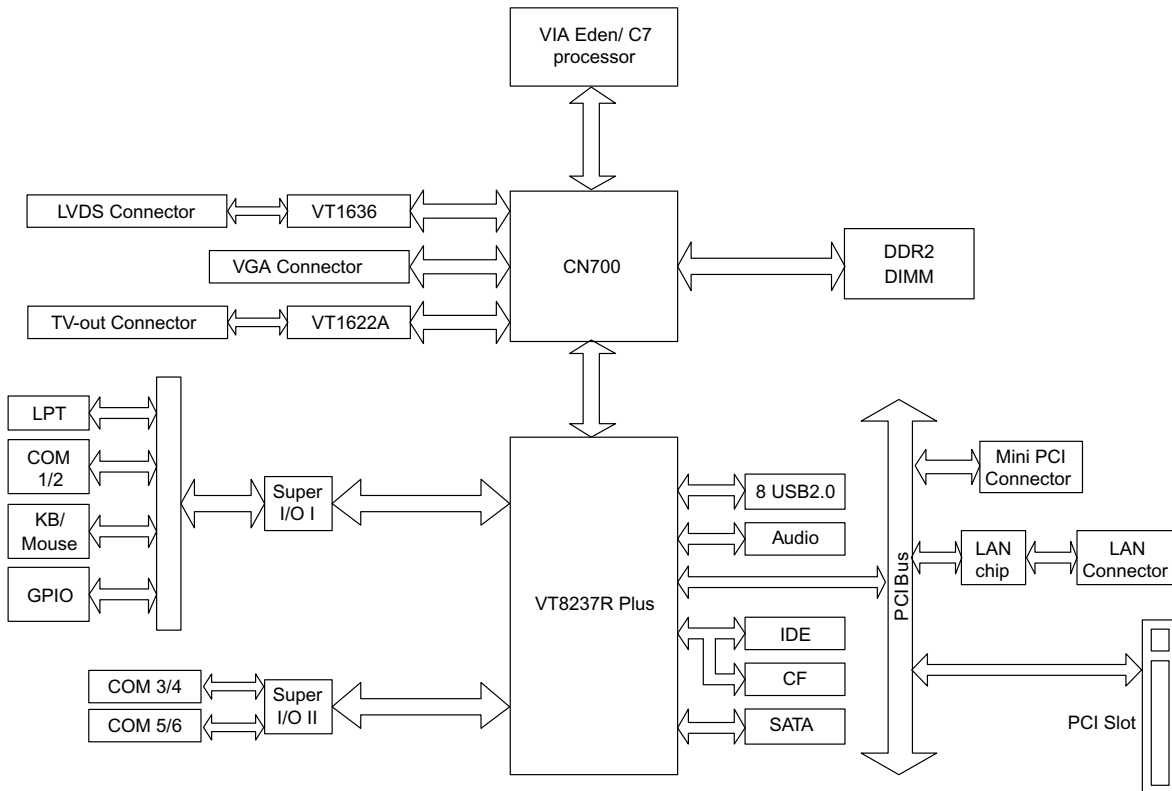
Power

- **Power Supply Voltage** +5 V ±5%, +12 V ±5%, +3.3 V ±5%, 5VSB (C7 with 1.0 GHz)
- **Power Consumption** Max (HCT): 2.42 A @ 5 V, 1.01 A @ 12 V, 1 A @ 3.3 V
Suspend: 1.86 A @ 5 V, 0.48 A @ 12 V (C7 with 2.0 GHz)
Max (HCT): 2.43 A @ 5 V, 1.65 A @ 12 V, 1.5 A @ 3.3 V
Suspend: 1.87 A @ 5 V, 0.75 A @ 12 V

Packing List

- 1 x PCM-9566 SBC
 - 1 x Mini Jumper Pack
 - 1 x Startup Manual
 - 1 x Utility CD
- (p/n:9689000002)

Board Diagram



Ordering Information

Part No.	CPU	L1/L2 Cache	DIMM	CRT	LVDS	TV out	10/100 (Giga LAN option)	Audio	Digital In/Out	USB2.0	RS-232	RS-232/422/485	LPT	CF	PCI Slot	Mini PCI	Thermal Solution	Operation Temp.
PCM-9566-J0A1E	Eden 400 Mhz	128 KB/128 KB	2	Yes	48-bit	--	1	Yes	4/4	8	5	1	Yes	Yes	1	1	Passive	0 ~ 60° C
PCM-9566-S0A1E	C7 1.0 Ghz	128 KB/128 KB	2	Yes	48-bit	--	1	Yes	4/4	8	5	1	Yes	Yes	1	1	Passive	0 ~ 60° C
PCM-9566F-S0A1E	C7 1.0 Ghz	128 KB/128 KB	2	Yes	48-bit	Yes	1	Yes	16/16	8	5	1	Yes	Yes	1	1	Passive	0 ~ 60° C
PCM-9566F-U0A1E	C7 2.0 Ghz	128 KB/128 KB	2	Yes	48-bit	Yes	1	Yes	16/16	8	5	1	Yes	Yes	1	1	Active	0 ~ 60° C

Optional Accessories

- **1701400452** IDE FLAT CABLE 40P 45CM
- **1701440350** IDE FLAT CABLE 44P 35cm
- **1701400181** 4 COM FLAT CABLE 18CM
- **1700002078** Serial ATA CABLE 60cm
- **1703100260** USB cable (26 cm)
- **1703100121** USB cable (12 cm)
- **PCM-110-00A3E** 1-slot PCI riser card for 5.25" biscuits
- **PCM-120-00A3E** 2-slot PCI riser card for 5.25" biscuits
- **MIO-3110-00A1E** Mini PCI to USB interface connection hub
- **MIO-3120-00A1E** Mini PCI interface to Wireless 802.11 b/g communication module
- **MIO-3121-00A1E** Mini PCI to 4 COM Module
- **MIO-3140-00A1E** Mini PCI interface to SATA storage module
- **MIO-3150-00A1E** Mini PCI interface to video capture module

1	System On Modules
2	Stackable SBCs
3	Single Board Computers
4	Slot CPU Cards
5	Industrial Motherboards
6	Embedded Box Computers
7	RISC-Based Evaluation Kit
8	Public Service Computers
9	Vehicle Mounted Computing Platforms
10	Medical Computing Platforms
11	Ubiquitous Computing
12	Display Solutions
13	Digital Signage
14	Portable Computing Platforms
15	Video Surveillance
16	Embedded Software Services