

IPC-5122

Desktop/Wallmount Chassis for MicroATX Motherboard with PS/2 Power Supply

NEW



Features

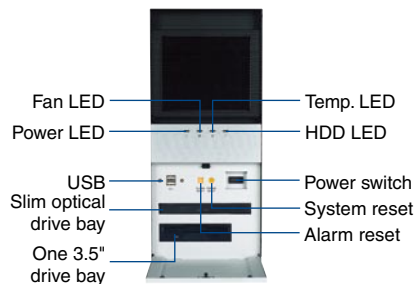
- Streamlined in-chassis airflow design
- Supports up to four expansion slots
- Shock-proof and anti-vibration drive bay design for industrial applications
- Accepts 300 W or 400 W power supply
- Smart monitor system and LED indication for system faults detection
- Easy-to-maintain system fan and reusable air filter



FCC CE

Specifications

Drive Bay	Slim Optical Drive	Front-accessible	Internal
	3.5"	1	-
Cooling	Fan	1 (12 cm / 85 CFM)	1
	Air Filter	Yes	
Front I/O Interface	USB	2	
Miscellaneous	LED Indicators	Power, HDD, fan and temperature	
	Control	Power switch, alarm reset and system reset buttons	
	Rear Panel	Six 9-pin D-Sub openings	
Environment	Temperature	Operating 0 ~ 40° C (32 ~ 104° F)	Non-Operating -20 ~ 60° C (-4 ~ 140° F)
	Humidity	10 ~ 85% @ 40° C, non-condensing	10 ~ 95% @ 40° C, non-condensing
	Vibration (5 ~ 500 Hz)	1 Grms	2 G
	Shock	10 G (with 11 ms duration, half sine wave)	30 G
	Physical Characteristics	Dimensions (W x H x D)	157 x 360 x 340 mm (6.2" x 14.2" x 13.4")
	Weight	6.5 kg (14.3 lb)	



Inside view



Rear view



Easy-open door

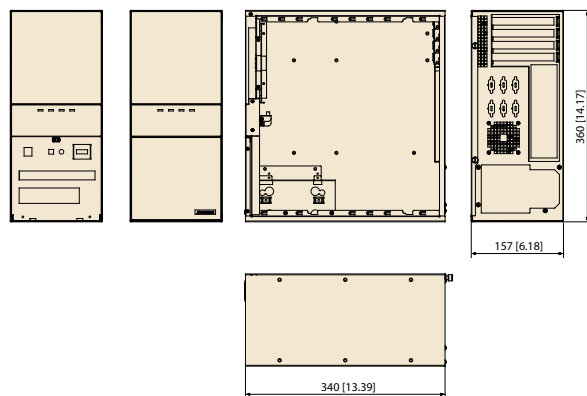


Gently press the hook to pull the air filter out



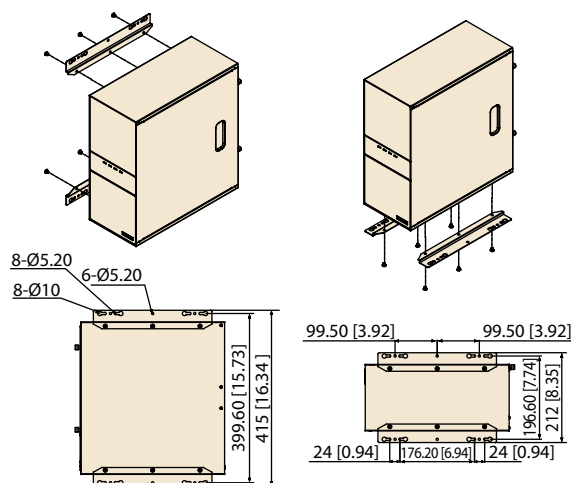
Dimensions

Unit: mm (inch)



Installation

Unit: mm (inch)



Ordering Information

Part Number	Power Supply	Motherboard	Regulation
IPC-5122-00XE	Without power supply, with ATX switch	-	-
IPC-5122-30ZE	1757001858	-	CE, FCC

Power Supply Options

(For detailed power supply specs, please refer to Chapter 15.)

Part Number	Watts	Input
1757001858	300 W	AC100~240V (full-range)
1757002201	400 W	AC100~240V (full-range)

Optional Accessories

Part Number	Description
1750003740	85.2 CFM, 120 x 120 x 25 mm system cooling fan
1750003720	27.7 CFM, 60 x 60 x 13 mm system cooling fan
1990001392	Fan filter 140 x 120 x 12 mm
96SCOM-8X-ST-SN-B	Black slim 8X/24X/24X SATA Combo
96SDVR-8X-ST-SN-B	Black slim 8X SATA DVDRW-ROM
96CB-SATAPOWER-6P	SATA Power cable for slim ODD

Note: IPC-5122 with AIMB-564 or AIMB-542 are economy solutions. For harsh or severe environment applications, AIMB-566 is recommended.