

MPC-100

10.4" Industrial Web Tablet with Windows® CE



Design Features

Advantech proudly introduces its first ruggedized web tablet, the MobiPanel™ 100, a portable wireless Windows® CE-based appliance combining data capture and communication technology. The MobiPanel™ 100 is designed to provide mobile professionals a real-time wireless solution to access information from remote databases via the Internet or an Intranet. The MobiPanel™ 100 is ideal for applications in retail, healthcare, warehousing, home networking, manufacturing process monitoring, hospitality, logistic support and on-site service.

Wireless

Featuring mobility and boundless communication, the latest 802.11b based wireless technology has been built into the MobiPanel™ 100. It also maintains flexibility by allowing other WAN/WLAN and PCMCIA card adapters as optional items.

Fully-integrated I/O

To maximize its connectivity with peripherals like barcode scanners, printers, digital cameras, keyboard/mouse, projectors and monitors, the MobiPanel™ 100 is fully equipped with IR, USB, PS/2 VGA interface ports and RS-485/422/232 protocol COM ports.

High Brightness Display

The high brightness 10.4" TFT LCD provides good visibility. It is especially ideal for displaying graphical content in web-based applications. This advanced LCD technology enables the MobiPanel™ 100 to function without sacrificing power consumption. The battery can last for 4-6 working hours on a one-time charge.

Shock & Vibration Resistant

The MobiPanel™ 100 is ruggedized and constructed for professionals working in harsh environments. It has a magnesium housing and internal shock-absorbing design meets the industrial durability. The MobiPanel™ withstands a 3-foot drop test.

Spill & Dust Resistant

Features

- Wireless Connectivity
- 10.4" high brightness TFT LCD display with touchscreen
- Rotatable Display, landscape or portrait mode
- Withstands a 3-foot drop test
- Spill & Dust Resistance

Applications

- On-Site CAD Mobility in Utility Industry
- On-Site Inspection in Manufacturing Automation Industry
- On-Site Inventory in Warehousing Service
- On-Site Services in Airline and Railway Industries

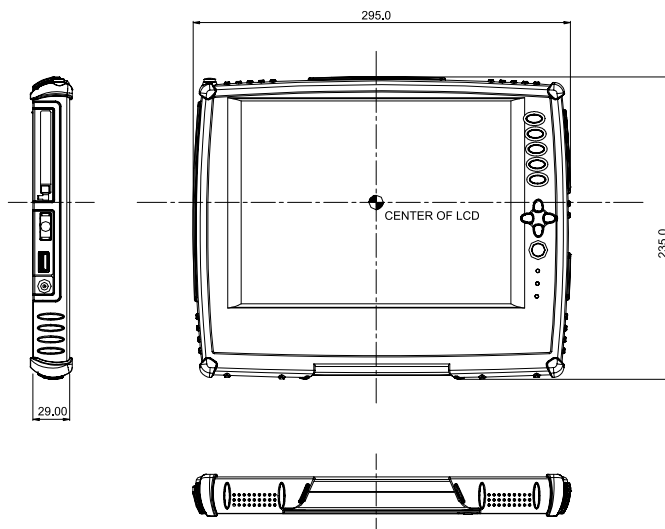
The I/O ports, LCD panel and internal circuits of the MobiPanel™ 100 have been designed to resist spills and water damage. Advantech took it further by making it dust-resistant with a protected LCD, sealed ports and card slots for extra protection.

Specifications

- **Processor:** Intel® Strong ARM 1110 206 MHz and companion chip SA1111
- **Operating System:** Windows® CE 3.0
- **Memory:**
 - System: 128 MB SDRAM onboard
 - Storage: 32 MB Flash ROM on removable module
- **Optional Storage:** CompactFlash™ card Type II
- **Display:**
 - Panel: 10.4" TFT high brightness LCD
 - Resolution: 800 x 600 SVGA
 - Display mode: portrait/ landscape
- **Audio System:** AC-Link Audio
 - 1 x internal buzzer, 2 x internal speakers
- **PCMCIA:** 1 x PCMCIA Type II slot
- **CompactFlash™:** 1 x CompactFlash™ Type II slot (Push-push slot)
- **External Keyboard:** USB or PS/2, IR Keyboard (Optional)
- **Application Button:**
 - 5 x customer-defined hot keys for application selection
 - 1 x suspend switch
 - 1 x Software reset switch
 - 1 x Hardware reset switch (under the flash-board door)
- **Pointing Device:**
 - Built-in resistive touch panel
 - 4 direction keys with one enter key
 - 5 programmable function buttons
- **Battery:**
 - Primary battery pack (4-cell) with smart Li-ion battery, 5 hour battery life

Dimensions

Unit: mm (inch)



- **Power Adapter:** Universal AC 90 V ~ 265 V, 47 - 63 Hz input, 19.5 V_{DC}, 2 A output, 40 W
- **LED Status Indicator:**
 - Power LED: Green: Power On, Orange: Charging, blinks when battery low
- **I/O Port:**
 - 1 x PCMCIA Type II slot
 - 1 x CompactFlash™ Type II card socket support
 - 1 x USB Type A connector
 - 1 x RS -232/422/485 (selected by jumper setup)
 - 1 x PS/2 for mouse / keyboard
 - 1 x IrDA interface
 - 1 x mini-VGA connector
 - 1 x DC-in jack
 - 1 x Audio jack for external headphone
 - 1 x Audio jack for external Microphone
 - 1 x Cradle connector
- **RF:** 802.11b LAN, 10/100T Base Ethernet through PCMCIA card
- **Major Applications:** Browser (support plug-in), thin-client, e-mail, customer-designed AP
- **Application Software:**
 - IE4.0, RDP, Citrix ICA, Hand writing recognition, On-screen K/B, Media player, Pocket word.
 - Optional: PDF viewer, Picture viewer, JVM, Voice recorder
- **Physical:**
 - Dimensions: 295 (W) x 235 (D) x 28 (H) mm
 - Weight: 1.35 kg (with primary battery pack & 10.4" Panel)
- **Cradle Station:** USB host controller supports 2 USB ports
 - RJ-45 for Ethernet port
 - 2 x PS/2 connector
 - 1 x USB Type B connector for synchronize with PC
 - 1 x DC-in jack

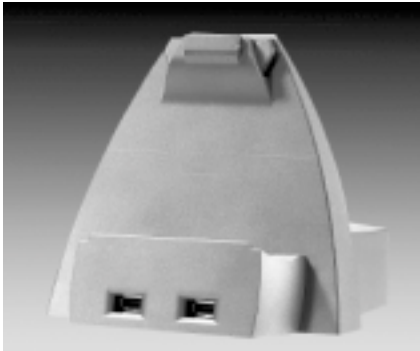
- **Environment:**
 - Operating Temperature: 0° ~ 40° C (32° ~ 104° F)
 - Storage Temperature: -20° ~ 60° C (-4° ~ 140° F)
 - Operating Humidity: 20% ~ 90%
 - IP 53 protection for water/dust in panel side
 - 3 feet free drop impact resistance
 - Vibration/shock: IEC 68-2-27
- **EMI/Safety:** FCC class B, CE, UL/CUL, BSMI, VCCI, CCIB

Ordering Information

- ❑ **MPC-100-HE0EN01**
MobiPanel™ with 10.4" high brightness TFT LCD, Intel StrongArm 206 MHz CPU, 128 MB DRAM and 32 Flash memory on board, English OS image pack and PCMCIA WLAN card adapter/Europe
- ❑ **MPC-100-HA0EN01**
MobiPanel™ with 10.4" high brightness TFT LCD, Intel StrongArm 206 MHz CPU, 128 MB DRAM and 32 Flash memory on board, English OS image pack and PCMCIA WLAN card adapter/America
- ❑ **MPC-100-HA0CH01**
MobiPanel™ with 10.4" high brightness TFT LCD, Intel StrongArm 206 MHz CPU, 128 MB DRAM and 32 Flash memory on board, Chinese OS image pack and PCMCIA WLAN card adapter / America
- ❑ **MPC-100-HJ0JP01**
MobiPanel™ with 10.4" high brightness TFT LCD, Intel StrongArm 206 MHz CPU, 128 MB DRAM and 32 Flash memory on board, Japanese OS image pack and PCMCIA WLAN card adapter / Japan

Installation Accessories for MPC-100

MPC-100-901 Cradle Station



Features

- Easy to use on the desk
- Expansion for other devices
- Synchronize with desktop
- RJ-45 for Ethernet

Introduction

This cradle station provides the function to synchronize information with your PC and offers varied I/O ports to extend the usage of the MobiPanel with a simple docking action.

I/O Ports

- USB host controller supports 2 USB ports
- RJ-45 for Ethernet port
- 2 x PS/2 connector
- 1 x USB Type B connector to synchronize with PC
- 1 x DC-in jack



MPC-100-902 Carry Case



Features

- Hand strap
- Shoulder strap
- Carry handle
- Stand on desk capability

Introduction

Carry Case is designed for easy carrying, spill & dust resistance. This carry case includes hand strap, detachable shoulder strap, carry handle, and penholder. Users can easily view and touch the monitor, press 5 function keys, and swap the battery pack even when the web tablet is put in the case. In addition, the carry case can act as a desktop stand.



MPC-100-903 Auto Charger



Features

- 12V/24V_{DC} input
- 60W output for MobiPanel

Introduction

This Auto Charger provides in-vehicle power charging capability for the for MobiPanel. A vehicle cigarette lighter becomes a convenient source of power and charging for the MobiPanel. Operates on 12/24 volts DC input; 60 W output.

Installation Accessories for MPC-100

MPC-100-904 Vehicle Mount



Features

- Robust design protects against shock and impact
- Vertical viewing angle adjustable
- Horizontal viewing angle adjustable
- Keyboard plate

Introduction

Besides indoor use and field use, you can use MobiPanel in a vehicle for logistics, transportation, dispatch and so on. Vehicle Mount provides industrial strength protection against shock, impact, and vibration from the vehicle.

You can adjust the viewing angle of MobiPanel in the horizontal and vertical direction to fit different needs. MobiPanel will hold the desired the viewing angle when the vehicle is on road because of the secure mounting design. The keyboard plate allows you to use keyboard in the vehicle.



MPC-100-906 Mini VGA Cable (5Pcs/1pack)



Features

- Standard VGA connector
- Output to other display device

Introduction

You can use the mini VGA cable to connect devices with a standard VGA port, such as a monitor or projector, to the mini-VGA port on your MobiPanel. Then you can operate and use the MobiPanel with other display devices.

MPC-100-907 Standard 4 Cell Battery Pack



Features

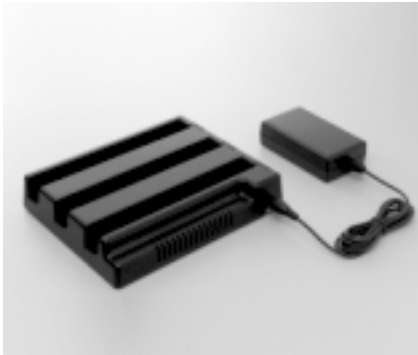
- Lithium-Ion rechargeable battery pack
- Removable for MobiPanel
- Smart Battery
- 1800 mAh

Introduction

Rechargeable and removable Lithium-Ion battery pack provides 4.5 ~ 5 hours for MobiPanel full running and more than 8 hours for typical use (full run/suspend mixed). The battery can be hot swapped any time for the MobiPanel. Lithium-Ion battery supports 300 times charge/discharge cycle.

Installation Accessories for MPC-100

MPC-100-909 3 in 1 Charging Station



Features

- CC-CV charging mode
- Safe charging
- 3 LED indicators to show the charging status
- 3 independent sets of charger control systems for Li-Ion battery

Introduction

3 in 1 Charging Station has 3 independent sets to charge 3 standard battery packs at the same time. The fully-charged battery packs can be swapped while the MobiPanel is running power. 3 LED indicate power on, charging, and full-charge status of the battery pack. (AC adaptor is required)



MPC-100-911 Stylus (10pcs/1pack)



Features

- Lightweight

Introduction

The stylus has been specially designed for use with your MobiPanel.