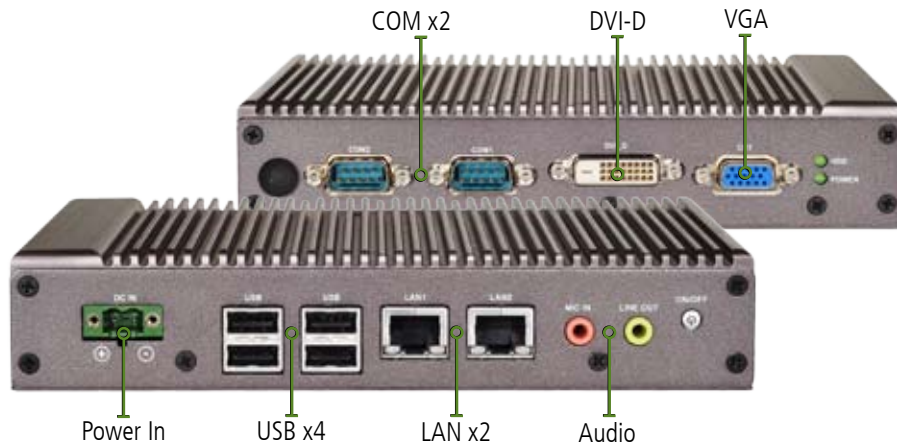


LEC-7000

Industrial Appliance with Intel® Atom™ N270



Features

Intel® Atom™ N270

Single core Intel Atom N270 features 1.6GHz clock speed and a 512KB cache. It utilizes 2.5W of power.

Fanless

This IPC's lifespan has been extended by removing the most easily damaged component, the fan.

Dust proof design

Solid chassis design with a fanless interior allows for this product to be completely dustproof when installed correctly, insuring longevity of the product.

Screw-locked power plug

This power plug is made to screw directly into the appliance chassis, allowing secure power connection in even the harshest of settings.

Extreme operating temperature

This product is ruggedized to support a wider than usual range of temperatures. Outfitted with industrial components (HDD/SSD, CF, Memory) this appliance can thrive in harsh conditions.

LED indicators

LED indicators makes it easy to check working status.

Mini-PCI Expansion Slot

This product features a Mini-PCI slot to allow customers to customize this appliance to different applications.

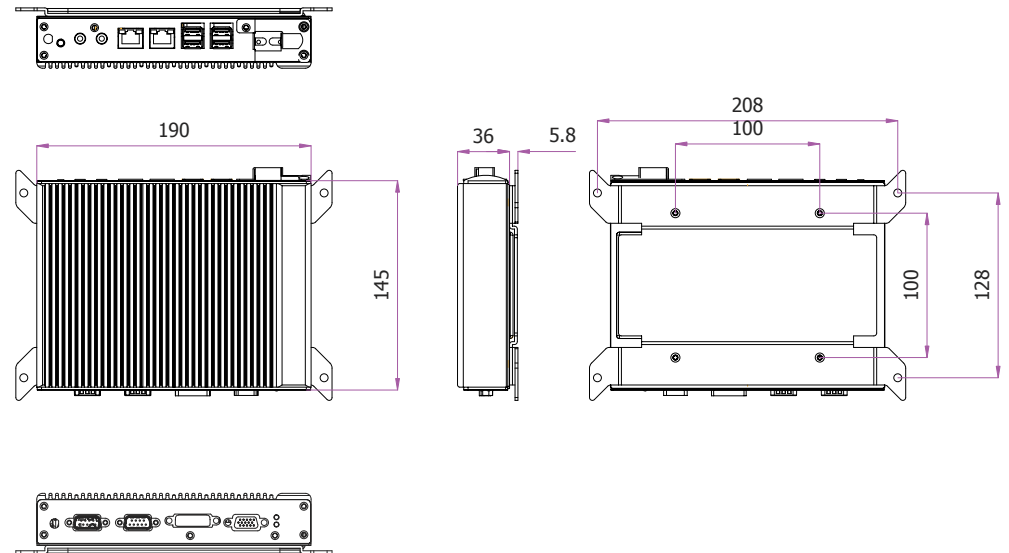
Cable-free Interior

The interior of this product contains no wires, making this industrial product as rugged as possible.

Multiple Display Ports

This platform comes with multiple video-out ports to allow easy integration with any signage set-up.

Dimensions



Specifications

Dimensions (WxHxD)		190x36x140mm (7.48"x1.42"x5.51")
Processor		Intel Atom N270 (1.6GHz)
Chipset		Intel 945GSE + ICH7M
System Memory	Technology	DDR2 512MB onboard DDR2 SODIMM x1
	Max. Capacity	Up to 2GB
Storage	IDE	CF socket Type I/II x1
	SATA	2.5" SSD/HDD drive bay x1
Ethernet Controller		Realtek RTL8111E x2
Graphic Controller		Intel Integrated Graphics Media Accelerator 950
Audio Controller		Realtek ACL888
IO	LAN	GbE RJ45 x2
	Display	DB15 x1 for VGA DVI-D x1
	Video Grabber	No
	Audio	Phone Jack x2 for Line-in and Mic-in
	Serial I/O	DB9 x2 supports RS232/422/485 Internal Pin-header for RS232 x2
	GPS	No
	Digital I/O	No
	USB 2.0	Type A x4
	Power Input	2 pin terminal block
	Expansion	Mini-PCI x1
	Others	External: Power-On Button, SMA Antenna Hole Internal: PS/2 Keyboard & Mouse, +5Vdc output
Power Input		+12Vdc +/-5%, ATX Mode
AC Adapter		60W +12V @ 5A
Hardware Monitor		Winbond W83627UHG integrated Watchdog Time 1~255 level
OS Support		Linux, XPE/WES2009, XP Pro FES, WS7E, WS7P, Win 7 Pro FES
Certifications		CE, FCC Class A
Compliance		No
Operating Temperature Range	With Industrial Components	-10~55°C/14~131°F
	With Commercial Components	-5~45°C / 23~113°F

Ordering Information

LEC-7000	Intel Atom N270 1.6Ghz CPU, 512MB DDR2 Memory Onboard. w/ 2 COMs, DVI-D / VGA Display, Dual GbE, Audio, +12V DC (ATX) 190145361001281002085.8
----------	--

Standard Accessories

080W1N2201001	SATA SSD / HDD cable w/ power
080W1N2201001	SATA HDD Cable
0P0W060120001	AC Adapter 60W 12V/5A, DC jack w/ Lock

Optional Power Cords

080W240318306	US Power Cord
080W240318305	Schuko (EU) Power Cord
080W240318301	UK Power Cord
080W240318307	China Power Cord
080W240318309	Japan Power Cord

Optional Mounting Brackets

VESA Mount	PE9ESA8300100
RACK Mount	PE9ESA8310100
DIN Rail Mount	090W405000001
DIN Rail Mount A	090W405000001

Optional Accessories

Wi-Fi Module	0TAWQ802XKZ02	802.11 b/g/n Mini-PCIe card
Antenna	080W1Q0001501	Internal Wi-Fi Antenna Cable
Antenna	0TZW000000039	SMA Antenna, male jack / female plug