

PBQ-3000



Qseven™ Carrier Board in EPIC Form Factor



Features

- **Qseven™ Carrier Board**
- Dual Gigabit Ethernet Ports
- Integrated Gigabit Ethernet
- Single Channel 24-bit LVDS/ Dual Channels 24-bit LVDS
- Analog RGB, DVI
- Wide Range DC Power Input: 10V ~ 30V

I/O

Serial Port	4 x COM ports (3 x RS-232 port, 1 x RS-232/422/485 selectable port)
USB Port	6 x USB 2.0 ports
Digital IO	8-bit programmable Digital Input/ Output
Expansion Bus	1 x Mini-card slot LPC (Low Pin Count) interface
Storage	2 x Serial ATA ports with 300MB/s HDD transfer rate
Ethernet Chipset	1 x Intel® 82583V PCIe GbE controller 1 x GbE by Qseven™ CPU module
Audio Interface	Realtek ALC662 CODEC, MIC/ Line-out phone jack

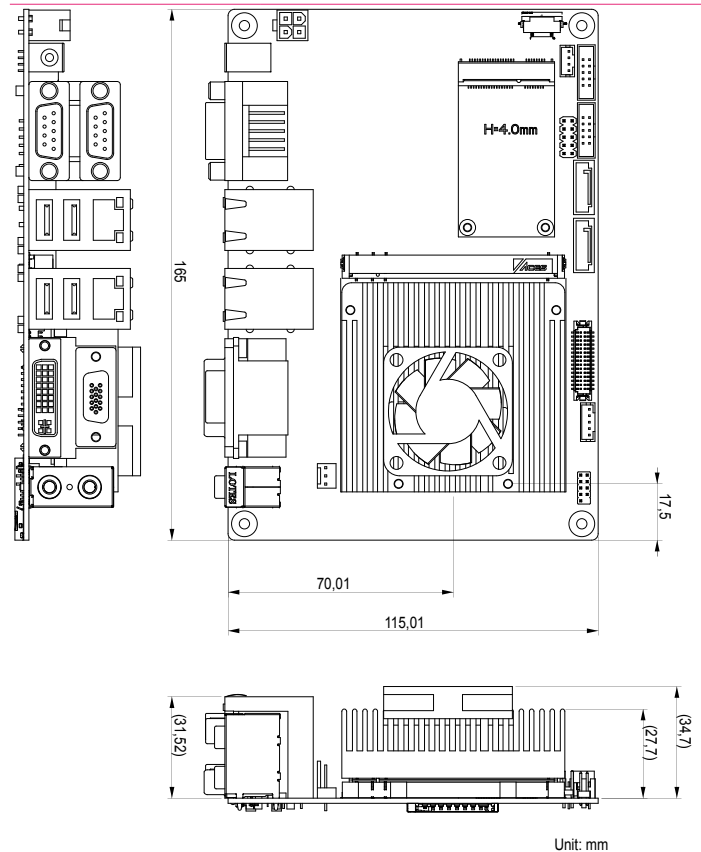
Display

Graphics Chipset	GPU: depending on Qseven CPU module
Graphics Interface	1 x Single Channel 24-bit LVDS (default) 1 x Dual Channels 24-bit LVDS (by DP to LVDS bridge) 1 x DDI port (only for EmQ-i2506, optional) 1 x DVI-D connector, supporting resolution up to 1920 x 1200 1 x Analog RGB (by reserved pin from Qseven GF/ EmQ-i2506 only, optional)

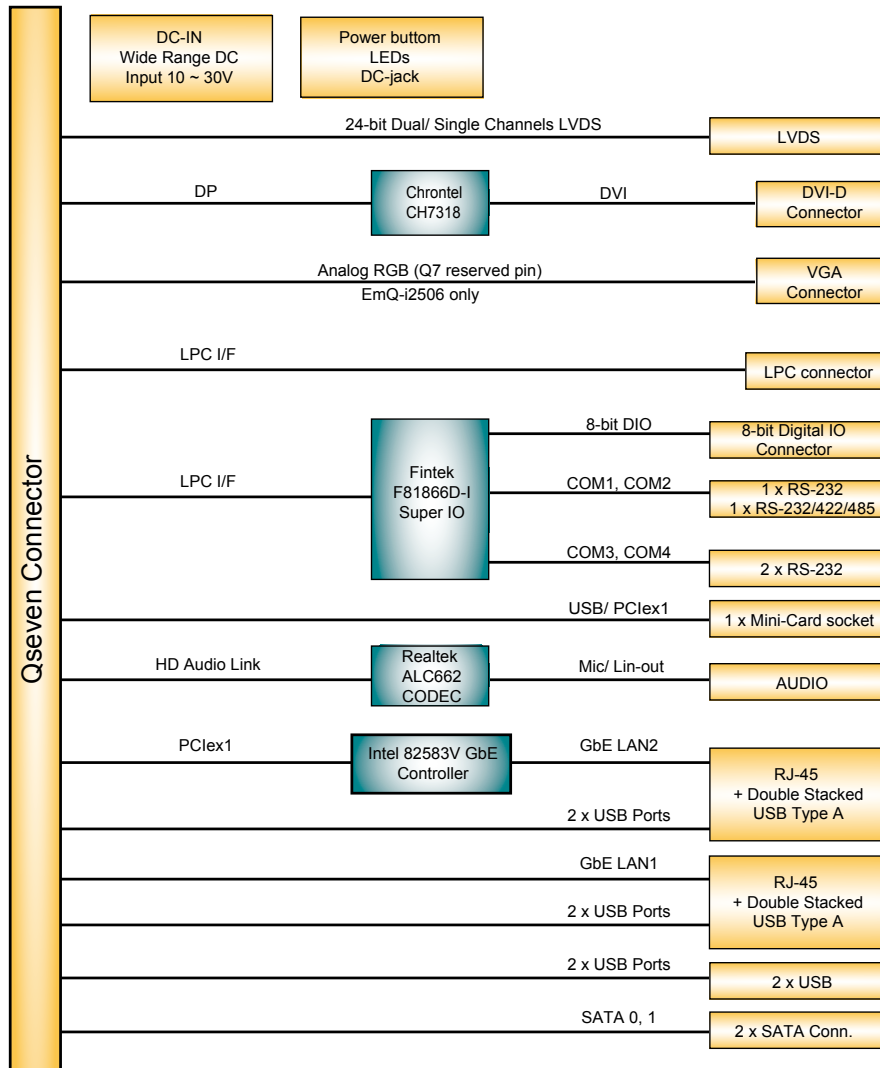
Mechanical & Environmental

Power Requirement	4-pin Aux. ATX power connector for wide range DC power input 10V ~ 30V
Power Consumption	1.26A@+12V w/ EmQ-i2506 (Typical)
Operating Temp.	-20 ~ 70°C (-4 ~ 158°F)
Operating Humidity	10 ~ 95% @ 70°C (non-condensing)
Dimension (L x W)	165 mm x 115 mm (6.5" x 4.5")

Dimensions



Block Diagram



Ordering Information

PBQ-3000

Qseven™ carrier board in EPIC form factor

Optional Accessories

CBK-06-3000-00

- Cable kit
- 1 x USB cable
 - 1 x USB2 cable
 - 2 x Serial port cables
 - 1 x SATA cable
 - 1 x SATA power cable