



LE SERIES

POWER ENTRY MODULE FILTERS



INTRODUCTIONS

1. Power module incorporates an IEC connector, a single-fuse (3AG 6.3x32mm fuse) holder, and voltage selector switch, plus an EMI filter all-in-one easy-to-install unit.
2. Adapts to 100-120V or 200-240V input voltage by simply reversing the voltage selector.

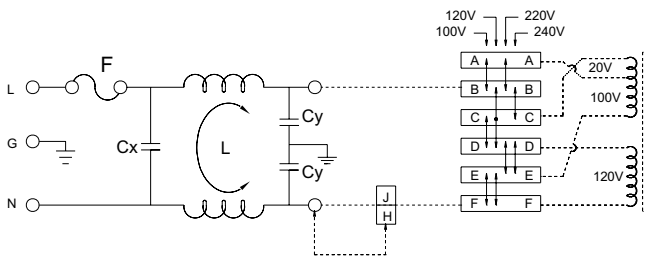
COMPONENTS

PART NO.	Cx (uF)	L (mH)	Cy (pF)
06LE4	0.015	0.46	2200

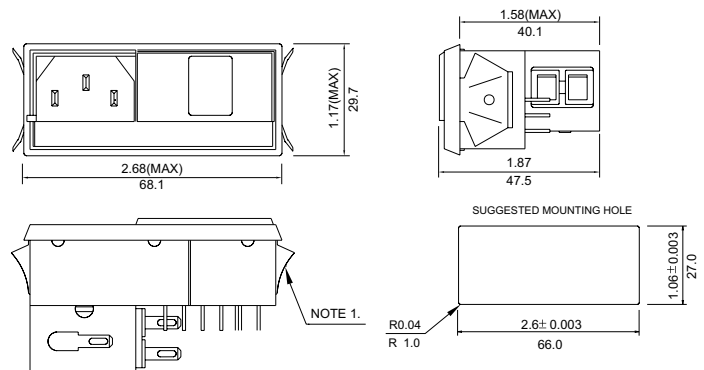
MINIMUM INSERTION LOSS IN dB

COMMON MODE (L-G) IN 50 OHM SYSTEM							
TYPE	CURRENT RATING	FREQUENCY-MHz					
		.15	.50	1.0	5.0	10	30
06LE4	6A	9	20	25	40	45	45

ELECTRICAL SCHEMATIC



MECHANICAL CONSTRUCTION



SPECIFICATIONS

1. Maximum leakage current each line-to-ground @ 115VAC 60Hz: 0.2mA @ 250VAC 50Hz: 0.4mA
2. Hipot rating (one minute) line-to-ground: 2250VDC line-to-line: 1450VDC
3. Operating frequency: 50/60Hz
4. Rated voltage: 115/250VAC

TYPE & RATED CURRENT

PART NO.		06LE4
RATED CURRENT	115VAC	6A
	250VAC	6A
IEC CONNECTOR		△
FUSE HOLDER		△
VOLTAGE SELECTOR CARD		△

UL, CSA & VDE approved current rating:
UL-15A & CSA-6A both at 125VAC & 250VAC

- Note
1. Standard units mount panel thickness 0.04-0.063 inch. Special units mount panel thickness 0.06-0.09 inch or 0.1-0.126 inch
 2. Jumper required if only spst power switch is used

UNIT: $\frac{\text{INCH}}{\text{mm}}$