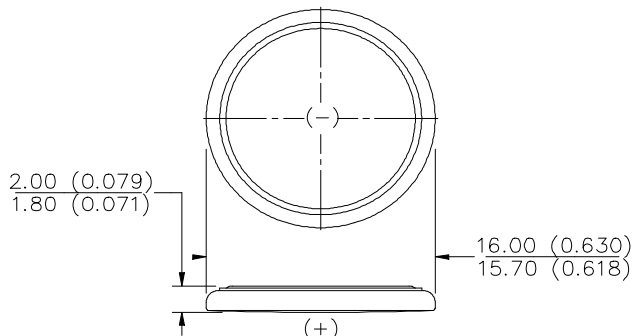


EVEREADY BATTERY CO. 1-800-383-7323 / USA
 Internet: www.energizer.com 1-800-383-7323 / CANADA
 + 44 (0) 208 920 2306 / EUROPE

ENERGIZER NO. CR1620



Industry Standard Dimensions in mm (inches)

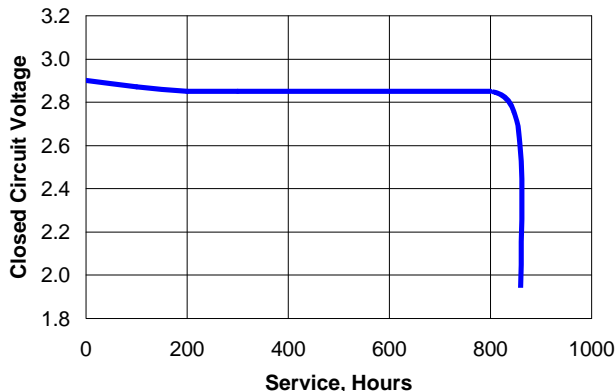


Chemical System: Lithium / Manganese Dioxide (Li/MnO₂)

Designation: ANSI / NEDA-5009LC, IEC-CR1620
Battery Voltage: 3.0 Volts
Average Weight: 1.4 grams (0.05 oz.)
Volume: 0.4 cubic centimeters (0.02 cubic inch)
Average Capacity: 79 mAh to 2.0 volts
 (Rated at 30k ohms continuous at 21°C)
Maximum Reverse Charge Current: 1 microampere
Energy Density: 164 milliwatt hr/g, 573 milliwatt hr/cc

TYPICAL DISCHARGE CURVE

Simulated Test @ 21°C (70°F)



Simulated Application Test Estimated Average Service at 21°C (70°F)

Schedule:	Typical Drains at 2.9V (microamperes)	Load (ohms)	Cutoff Voltage
			2.0V
24 hours/day	97	30,000	851 Hours

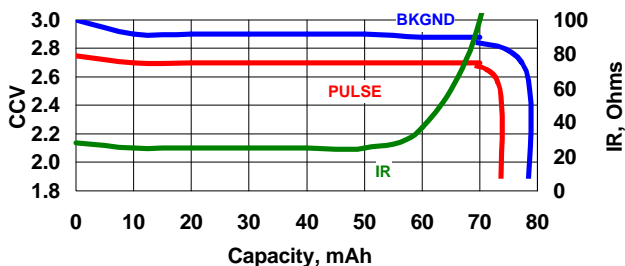
INTERNAL RESISTANCE CHARACTERISTICS

Pulse Test @ 21°C (70°F)

Schedule: Continuous for background
 2 seconds X 12 times/day for pulse
Typical Background Drain @ 2.9V (milliamps):
 0.097 milliamperes
Typical Pulse Drain @ 2.6V (milliamps):
 6.80 milliamperes
Background Load:
 30k ohms
Pulse Load:
 400 ohms

IR CHARACTERISTICS

Pulse Test @ 21°C (70°F)



Important Notice

This data sheet contains information specific to batteries manufactured at the time of its publication.

Contents herein do not constitute a warranty.

Copyright © Eveready Battery Co. Inc. - All Rights Reserved