



Whisper AC - WR2H1 - 027119
(Family) (Model) (Part Number)

Electrical Specifications

| | |
|----------------------|------------|
| Rated Voltage: | 115 VAC |
| AC Frequency: | 60 Hz |
| Power Supply: | 10.0 Watts |
| Line Current: | 0.11 Amps |
| Locked Rotor Current | 0.14 Amps |
| Nominal Speed: | 2350 RPM |

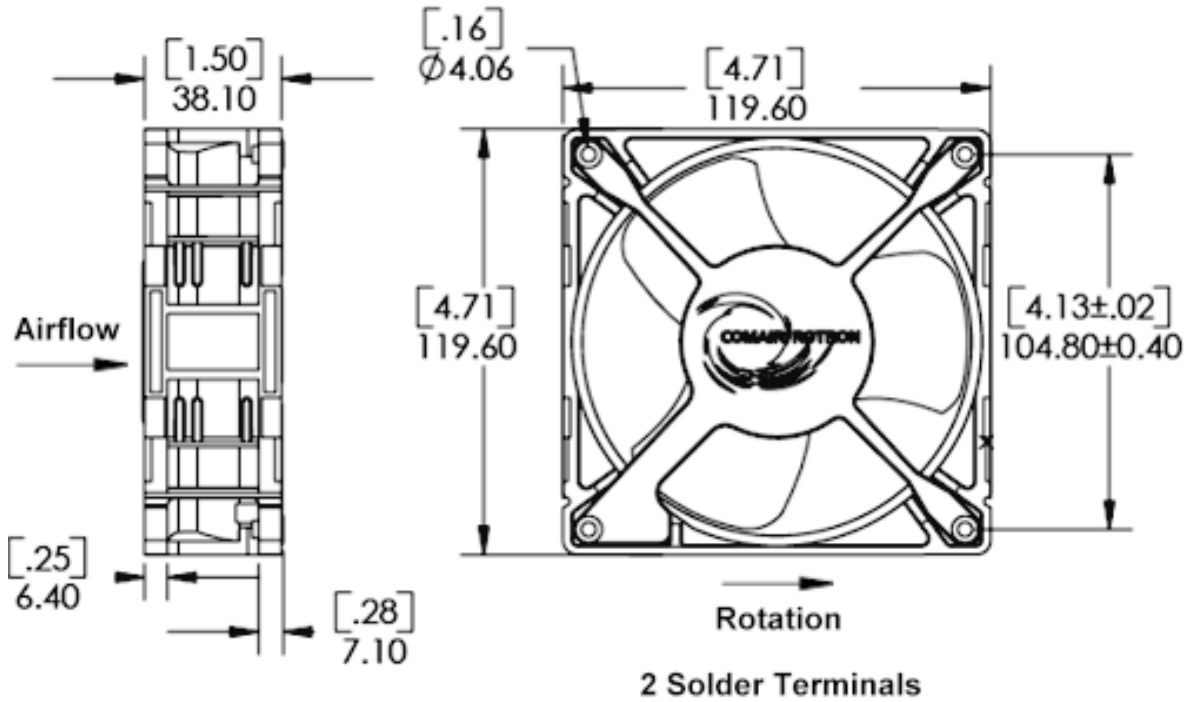
Mechanical Specifications

| | |
|-------------------------------------|---------------------------|
| Dimensions: | 4.72in x 1.50in |
| Weight | 17.0 oz |
| Max Airflow @ 0 in H ₂ O | 72.0 CFM |
| Max Pressure @ 0 CFM | 0.128 in H ₂ O |
| Noise | 37.6 dBA |

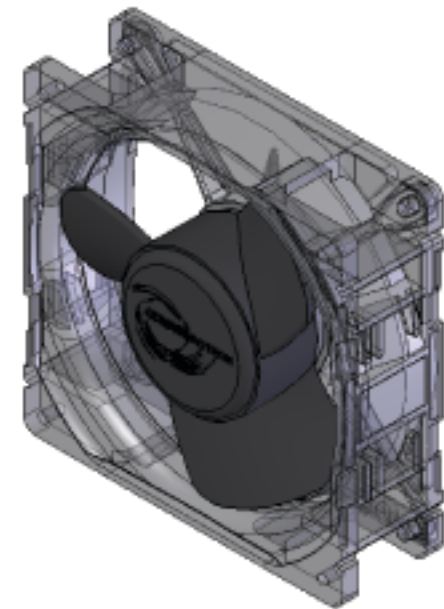
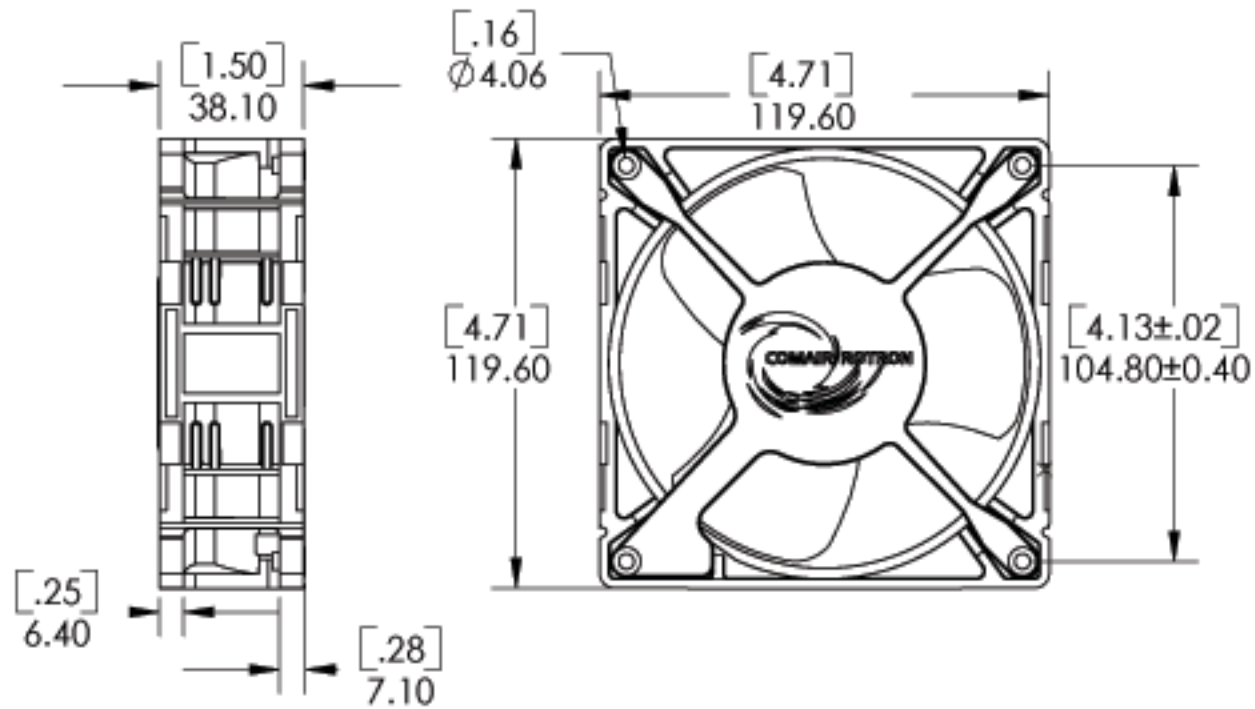




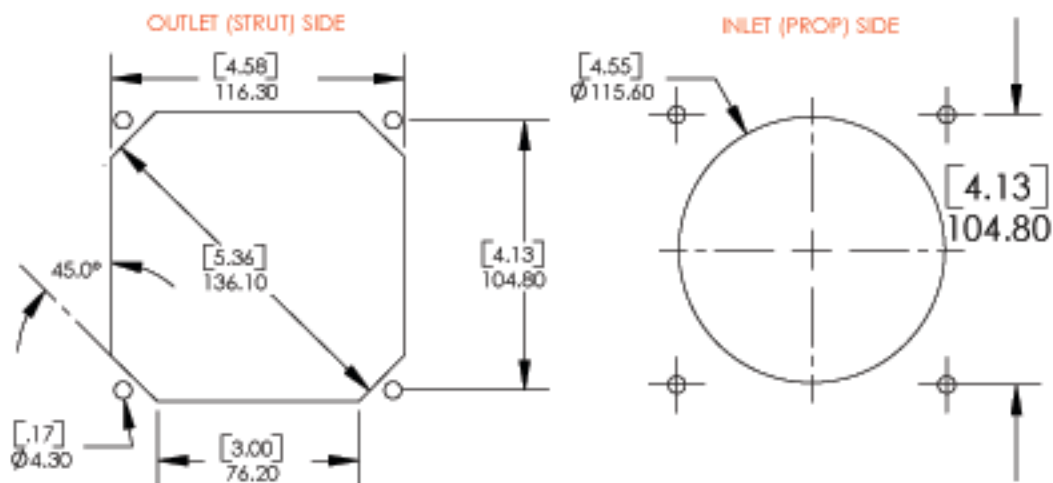
Mechanical Drawing



| Part Number | Model Number | Bearing Type | Fan Rotation | Termination | |
|-------------|--------------|--------------|--------------|--------------------|--|
| 027119 | WR2H1 | Sleeve | Normal | Terminals, Venturi | |



RECOMMENDED CUTOUTS



| | | | |
|--|----------------------------------|---------------------|--|
| CONTACT INFO: WWW.COMAIRROTRON.COM | | | |
| TOLERANCE UNLESS OTHERWISE SPECIFIED: 2PL DEC + 00 8 3PL DEC + 00 24 ANGULAR 1.50 | AMERICAN PROJECTION 3/4 00 | 3D MODEL FOUND AT.. | |
| WHISPER AC | | | |