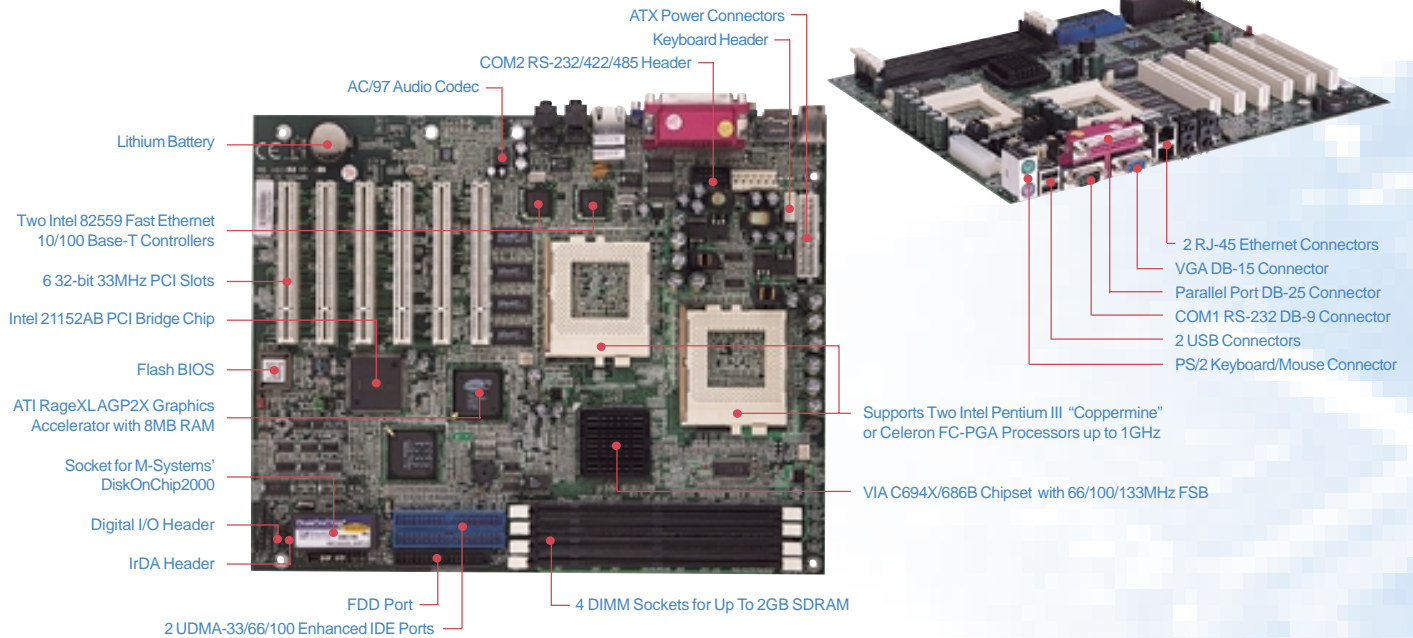


# MB-X63A Dual Socket370 ATX Motherboard w/ Video, 2 Ethernet, Audio & 6 PCI Industrial ATX Motherboard



## ■ Introduction

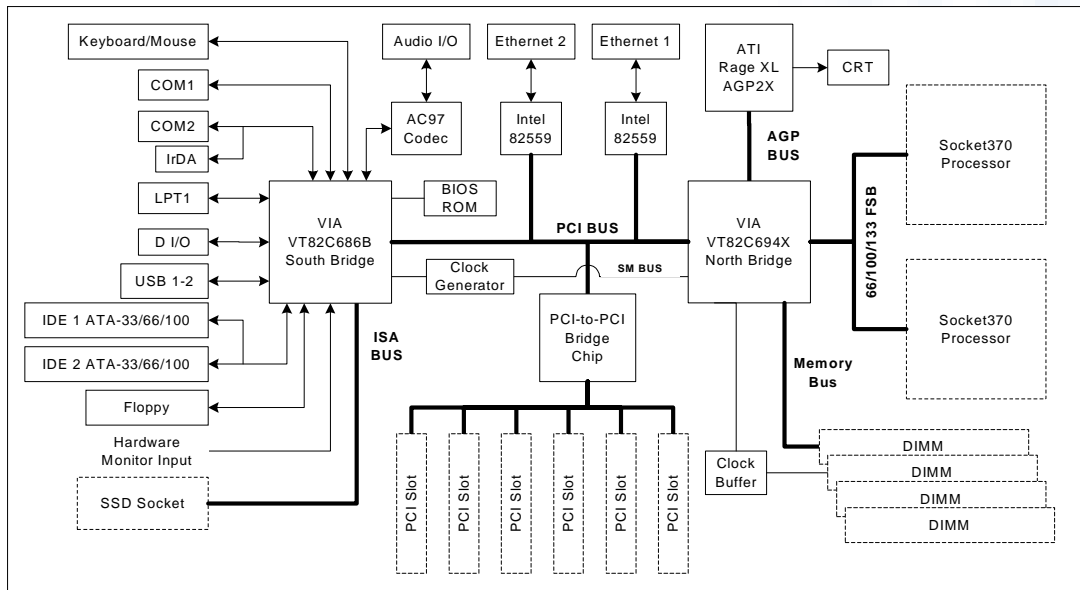
We are always listening to your needs and providing solutions for you. You have asked for an ATX motherboard with long life cycle, version control, fast 1GHz performance, on-board video/audio/dual Ethernet, plus more PCI expansion. The search is finally over.

Thus, we introduce the **MB-X63A**. The ATX motherboard you are looking for: performance of dual Pentium III and up to 2GB SDRAM, AGP video, PCI audio, dual Intel 10/100 Ethernet, and 6 PCI slots. Contact us today.

## ■ Highlights

- Version controlled industrial ATX Motherboard
- Via 66/100/133MHz FSB Chipset
- Supports two Intel Pentium III processors up to 1GHz
- Supports up to 2GB SDRAM
- ATI Rage XL AGP 2X graphics accelerator with 8MB memory
- Two Intel 82559 10/100Base-T Ethernet controllers
- AC97 codec audio
- Six 32-bit 33MHz PCI slots
- DiskOnChip flash memory support
- Multilevel watchdog timer and hardware monitoring

## ■ Block Diagram



# MB-X63A Dual Socket370 ATX Motherboard w/ Video, 2 Ethernet, Audio & 6 PCI

## Industrial ATX Motherboard

### ■ Features

- **Processor**  
Supports two Intel Pentium III / Celeron Socket370 FC-PGA processors up to 1GHz (133MHz x 8).
- **Chipset**  
VIA VT82C694X / VT82C686B chipset with support for 66/100/133MHz CPU FSB.
- **System BIOS**  
256KB Award licensed flashable BIOS.
- **System Memory**  
Four 168-pin DIMM sockets support up to 2GB of PC100 SDRAM (512MBx4) or up to 1.5GB of PC133 SDRAM (512MBx3), ECC capable.
- **Solid State Disk / Flash Memory**  
One 32-pin DIP socket supports M-Systems' DiskOnChip up to 144MB.
- **Video**  
ATI Rage XL APG 2X graphics accelerator with on-board 8MB video memory. Supports resolutions and color depth: VGA 640x480, SVGA 800x600, XGA 1024x768, SXVGA 1280x1024 up to 16mil colors, and UXGA 1600x1200 x 64k colors.  
  
On-board DB-15 VGA connector for analog video monitor at rear I/O area .
- **Fast Ethernet**  
Two Intel 82559 PCI Fast Ethernet (10/100Base-T) controllers, support Wake-on-LAN function. Stacked RJ-45 connectors at rear I/O area.
- **Audio**  
AC97 codec for audio function. 4 phone jacks (Speaker-out, Mic-in, Line-in, Line-out) at rear I/O area.
- **IDE Interface**  
Two PCI Enhanced IDE interface supports up to four (PCI Bus Master, Ultra DMA-33/66/100, Multiword DMA & PIO mode 0-4) IDE devices. Two double density IDE cables included.

### ■ Ordering Information

- **MB-X63A**  
Dual Socket 370 Industrial ATX Motherboard with on-board video, dual Ethernet, audio and 6 PCI slots.

### ■ Specifications

- **Electrical**  
Power Requirement: +5V, +12V  
Power Input: Standard ATX and auxiliary ATX power connectors  
Power Consumption: TBD  
w/ Dual Pentium III 1GHz CPUs and 2GB RAM  
?A @ +5V, ?A @ +12V (?W)  
w/ Dual Pentium III 700MHz CPUs and 512MB RAM  
?A @ +5V, ?A @ +12V (?W)
  - **Mechanical**  
ATX Motherboard  
Dimension: 305mm x 244mm (12" x 9.6")  
Weight: 500g (1.1lb)
  - **Environmental**  
Operating Temperature: 0°C to 60° C  
Storage Temperature: -20°C to 70° C  
Operating Humidity: 10% to 90% RH, non-condensing
  - **Reliability**  
MTBF: Designed for >40,000 hours
  - **Safety Approvals**  
CE & FCC Certification Pending
  - **Warranty**  
Two years (Contact us for details)
- ### ■ Software
- The MB-X63A is compatible with operating systems developed for x86 PC. The board supports Windows 95 / 98, Windows NT / NT Embedded, Windows 2000, Windows XP, and Linux. Drivers for various OSes are included on a CD-ROM with every package.

