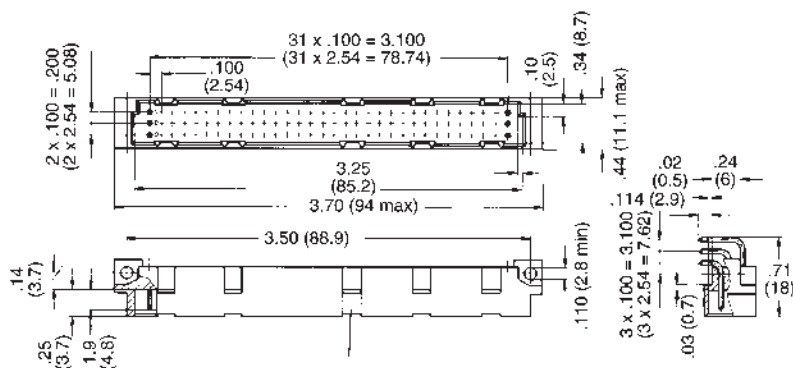
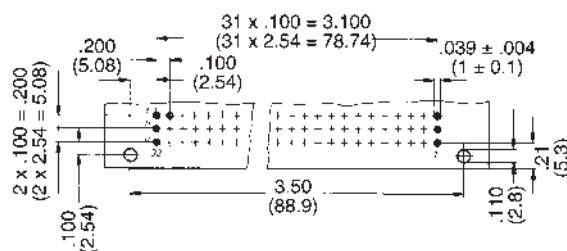


**Type C —
Series 100**

**32, 64 and 96 Contact Male
Connectors — Three Row**



Printed Circuit Layout

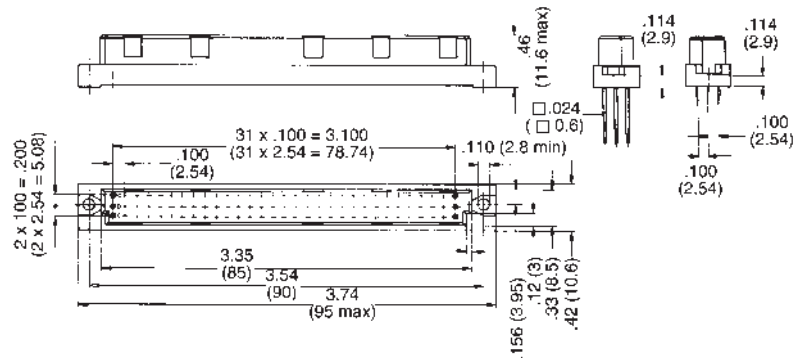


Part Numbers

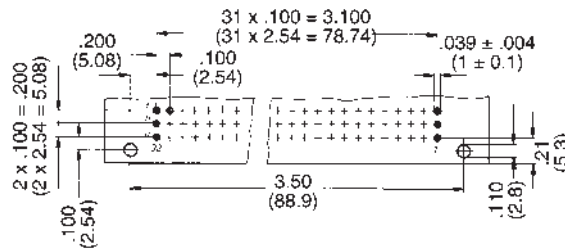
| No. of Contacts | Contact Arrangement | Performance Level | Termination Methods | | | | |
|-----------------|-------------------------------|-------------------|---------------------|-------------|-------------|-------------|-------------|
| | | | | | | | |
| 32 | Row a + c All Even Numbers | 2 | 100-932-033 | — | — | — | — |
| | | 3 | 100-932-053 | — | — | — | — |
| 64 | Row a + c | 2 | 100-964-033 | 100-964-133 | — | — | — |
| | | 3 | 100-964-053 | 100-964-153 | — | — | — |
| 96 | Fully Equipped | 2 | 100-096-033 | 100-096-133 | 100-096-131 | 100-096-031 | 100-096-134 |
| | | 3 | 100-096-053 | 100-096-153 | 100-096-151 | 100-096-051 | 100-096-154 |

**Type C —
Series 100**

**32, 64 and 96 Contact
Female Connectors —
Three Row**



Printed Circuit Layout

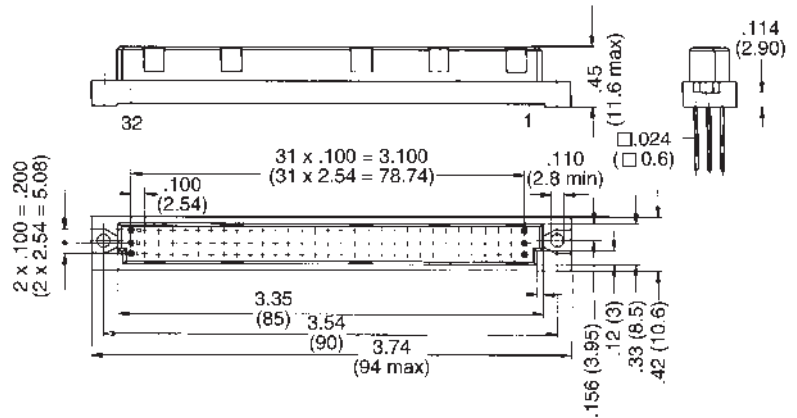


Part Numbers

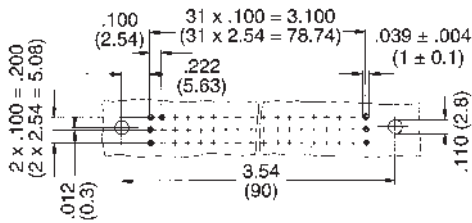
| No. of Contacts | Contact Arrangement | Performance Level | Termination Methods | | | | | | |
|-----------------|---------------------|-------------------|---------------------|-------------|-------------|-------------|-------------|-------------|-------------|
| | | | | | | | | | |
| 32 | Row a + c | 2 | 100-932-431 | 100-932-432 | — | — | 100-932-434 | 100-932-533 | — |
| | All Even Numbers | 3 | 100-932-451 | 100-932-452 | — | — | 100-932-454 | — | — |
| 64 | Row a + c | 2 | 100-964-431 | 100-964-432 | 100-964-433 | 100-964-439 | 100-964-434 | 100-964-533 | — |
| | | 3 | 100-964-451 | 100-964-452 | 100-964-453 | 100-964-459 | 100-964-454 | — | — |
| 96 | Fully Equipped | 2 | 100-096-431 | 100-096-432 | 100-096-433 | 100-096-439 | 100-096-434 | 100-096-533 | 100-096-633 |
| | | 3 | 100-096-451 | 100-096-452 | 100-096-453 | 100-096-459 | 100-096-454 | 100-096-553 | 100-096-653 |

**Type C —
Series 100**

**Press Fit
64 and 96 Contact Female
Connectors — Three Row**



Printed Circuit Layout



Press-Fit Technical Specifications

| | |
|--------------------|---|
| Compliant Pin | |
| P.C.B. Thickness | .06 - .13 (1.6 - 3.2 mm) |
| Finished Hole Size | .037 - .043 (0.94 - 1.09 mm) |
| Drill Size | .045 ± .0004 (1.15 ^{±0.01} mm) |
| Copper | 100μ" 300μ" (25-76μm) |
| Tin-Lead | 30μ" (6μm min) |

Part Numbers

| No. of Contacts | Contact Arrangement | Performance Level | Press-Fit | | | Press-Fit Insertion Die |
|-----------------|---------------------|-------------------|-------------|-------------|-------------|-------------------------|
| | | | | | | |
| 64 | Row a + c | 2 | 100-964-932 | 100-964-931 | — | 200-022-074 |
| | | 3 | 100-964-952 | 100-964-951 | — | |
| 96 | Fully Equipped | 2 | 100-096-932 | 100-096-931 | 100-096-939 | |
| | | 3 | 100-096-952 | 100-096-951 | 100-096-959 | |