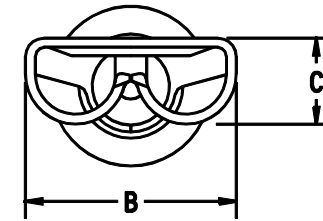


THIS COPY IS PROVIDED ON A RESTRICTED BASIS AND IS NOT TO BE USED IN ANY WAY DETRIMENTAL TO THE INTERESTS OF PANDUIT CORP.

Part number		Wire range AWG (mm <sup>2</sup> )	Tab size	Housing color	Max. Wire Insul. Dia.	Dimensions (in.)		
Prefix	PK					A $\pm 0.015$ $\pm 0.41$	B $\pm 0.010$ $\pm 0.31$	C $\pm 0.010$ $\pm 0.31$
DV18-187B	-C -M	22-18 (.5-1.5)	.187 X .032 (4.8 X 0.8)	Red	.150 (3.81)	.75 (19.1)	.23 (5.8)	.10 (2.5)
* DV14-187B	-C -M	16-14 (1.5-2.5)	.187 X .032 (4.8 X 0.8)	Blue	.170 (4.32)	.75 (19.1)	.23 (5.8)	.10 (2.5)
DV18-188B	-C -M	22-18 (.5-1.5)	.187 X .020 (4.8 X 0.5)	Red	.136 (3.45)	.79 (20.1)	.23 (5.8)	.10 (2.5)
* DV14-188B	-C -M	16-14 (1.5-2.5)	.187 X .020 (4.8 X 0.5)	Blue	.162 (4.11)	.79 (20.1)	.23 (5.8)	.10 (2.5)



**Notes:**

**1. Used for:**

- A. Stranded copper wire only
- B. 221°F (105°C) maximum temperature rating
- C. 600V maximum voltage rating
- D. 10 A. max. (DV14-187B, DV14-188B)

**2. Package quantity:**

- A. Standard: -C = 100
- B. Bulk : -M = 1000

**3. Material:**

- A. Stamping: .016 (0.41) thick tin plated brass
- B. Housing : Vinyl

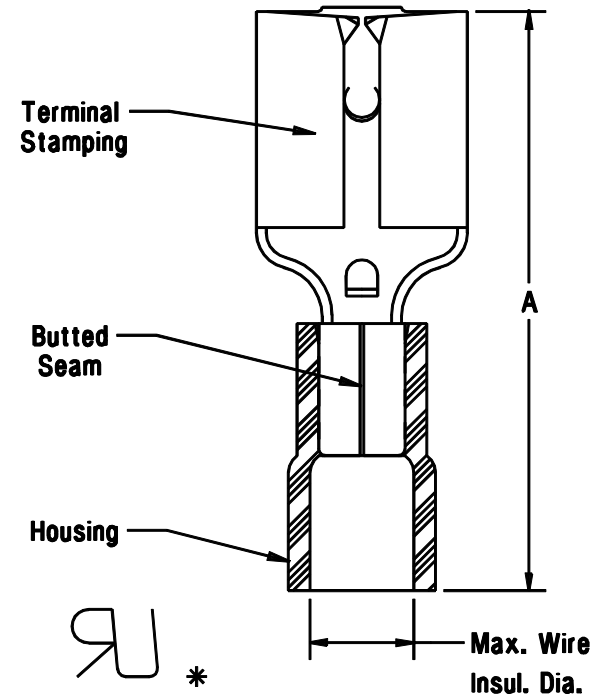
**4. Wire strip length: 1/4  $\frac{+1/32}{-0}$  (6.3  $\frac{+0.8}{-0}$ )**

**5. Initial insertion force :12 LB (53N) maximum  
Initial withdrawal force: 12 LB (53N) maximum  
6 LB (27N) minimum**

**6. Installation tool: CT-520, CT-1525**

- A. U.L. Listed & CSA Certified
- B. U.L. Recognized

**7. Dimensions in brackets are in millimeters or mm<sup>2</sup>**



LISTED  
20H3  
E78522



CERTIFIED  
LR31212



RECOGNIZED  
E78522

A41554\_02

02	5/98	TM		ADDED CT-1525 TO TOOL NOTE				<p>TINLEY PARK, ILLINOIS</p> <p>Vinyl insulated barrel female disconnect butted seam (.187 tab size)</p>
01	11/94	MS		ADDED PARTS:DV18/DV14-188B - U.L. NOTES	02871	TK	LA	
00	3/94	BK	RS	RELEASED	02131	DA	LA	
REV	DATE	BY	CHK	DESCRIPTION	ECN	PM	CUST	<p>CAD FILE N41554AA_PCD_01</p> <p>DRAWING NO A41554</p>