

Signal isolator - PI-EX-ME-2IDL-1/I - 2835464

Please be informed that the data shown in this PDF Document is generated from our Online Catalog. Please find the complete data in the user's documentation. Our General Terms of Use for Downloads are valid (<http://download.phoenixcontact.com>)



Passive output isolator (analog OUT), 2-channel, output: intrinsically safe, input signal: 0(4) ... 20 mA, output signal: 0(4) ... 20 mA

Key commercial data

Packing unit	1
Minimum order quantity	1
Catalog page	Page 403 (IF-2007)
GTIN	 4 017918 181192
Custom tariff number	85437090
Country of origin	GERMANY

Technical data

Input data

Signal input	Current input
Available input sources	Current
Current input signal	0 mA ... 20 mA
Current input signal	4 mA ... 20 mA
Voltage dissipation	8.4 V (input voltage: $U_I = 8.4 \text{ V} + 0.02 \times \text{load} \times (\text{V}/\Omega)$)

Output data

Signal output	Intrinsically safe
Current output signal	0 mA ... 20 mA
Current output signal	4 mA ... 20 mA
Load/output load current output	500 Ω

Power supply

Name	Passive
Nominal supply voltage	$(8.4 \text{ V} + 0.02 \times \text{load} \times (\text{V}/\Omega))$
Supply voltage range	8.4 V DC ... 30 V DC (from the current loop of the input, no separate auxiliary power supply necessary)

Connection data

Conductor cross section solid min.	0.2 mm ²
Conductor cross section solid max.	2.5 mm ²

Signal isolator - PI-EX-ME-2IDLPI-I - 2835464

Technical data

Connection data

Conductor cross section stranded min.	0.2 mm ²
Conductor cross section stranded max.	2.5 mm ²
Conductor cross section AWG/kcmil min.	24
Conductor cross section AWG/kcmil max	14
Stripping length	8 mm
Screw thread	M3
Connection method	Pluggable screw connection
Tightening torque, min	0.5 Nm
Tightening torque max	0.6 Nm

General data

No. of channels	2
Maximum temperature coefficient	< 0.01 %/K
Linearity error	< 0.1 % (of final value)
Ambient temperature (operation)	-20 °C ... 60 °C
Ambient temperature (storage/transport)	-25 °C ... 80 °C
Permissible relative humidity (operation)	< 75 % (annual average)
Permissible relative humidity (operation)	< 95 % (30 days/year, no condensation)
Width	22.5 mm
Height	99 mm
Depth	114.5 mm
Inflammability class according to UL 94	V0
Standards/regulations	NAMUR recommendation NE 21
Housing material	Polyamide PA non-reinforced
Color	green
Electrical isolation input / output	375 V (Peak value, in acc. with EN 50020)
Line monitoring	NE 21
Conformance	CE-compliant
ATEX	# II (1)GD, [EEx ia] IIC, TÜV 00 ATEX 1525
UL, USA / Canada	cULus

Classifications

eclass

eCl@ss 4.0	27210121
eCl@ss 4.1	27210121
eCl@ss 5.0	27210121
eCl@ss 5.1	27210121
eCl@ss 6.0	27210121

etim

ETIM 2.0	EC001431
ETIM 3.0	EC001596

Signal isolator - PI-EX-ME-2IDLPI/I - 2835464

Classifications

etim

ETIM 4.0	EC001596
----------	----------

unspsc

UNSPSC 6.01	30211506
UNSPSC 7.0901	39121008
UNSPSC 11	39121008
UNSPSC 13.2	39121008

Accessories

Accessories

Bridges

Wire bridge - DB 50- 90 GY - 2820929

Wire bridge, Color: gray



Wire bridge - DB 50- 90 BK - 2820916

Wire bridge, Color: black



Wire bridge - DB 50- 90 BU - 2821180

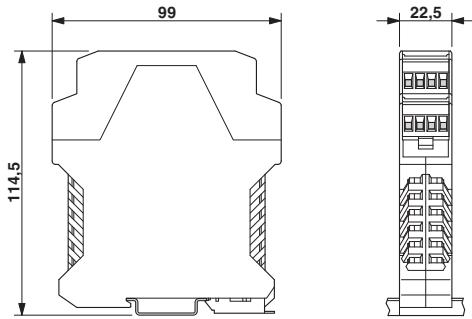
Wire bridge, Color: blue



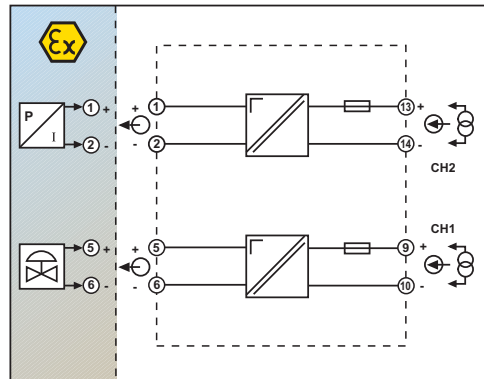
Drawings

Signal isolator - PI-EX-ME-2IDLP-I/I - 2835464

Dimensioned drawing



Block diagram



Block diagram PI-EX-ME-2IDLP-I/I