

REV. Status

REVISION -  
07/23/96 TS

REVISION A  
REFORMATTED  
07/14/97 TS

REVISION B  
CHANGED A.7.  
08/23/99 TS

THREE FLANGE DUAL PRIMARY 6.0VA PC BOARD POWER TRANSFORMER

A. Electrical Specifications (@ 25°C)

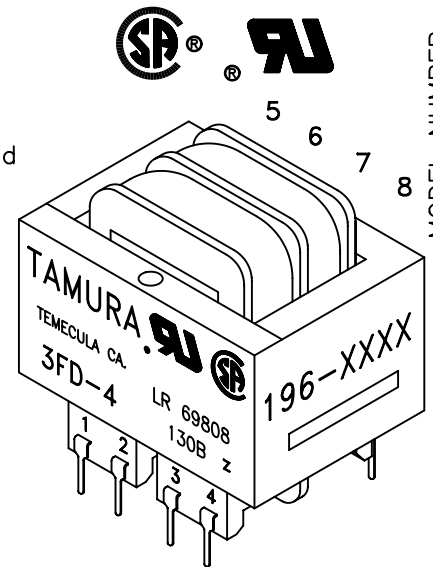
1. Maximum Power: 6.0 VA
2. Input Voltage and Frequency: 115/230V 50/60 Hz
3. Secondary Voltage: See Table A
4. Voltage Regulation: 18% TYP @ full load to no load
5. Temperature Rise: 35°C TYP (45°C MAX allowed)
6. Insulation Resistance:
  - 100 MΩ MIN @ 500VDC, Pri to Sec, Pri to Core
  - 100 MΩ MIN @ 500VDC, Sec to Core
7. Hi-Pot: 2500 Vrms 1 minute @ Pri to Sec  
 1500 Vrms 1 minute @ Pri to Core  
 1500 Vrms 1 minute @ Sec to Core  
 500 Vrms 1 minute @ Sec to Sec

B. Marking: TAMURA, Tamura part number (see sheet 2), MICROTRAN, Microtran part number (see sheet 2), date code, country of origin, safety logos and input and output ratings

C. Safety:

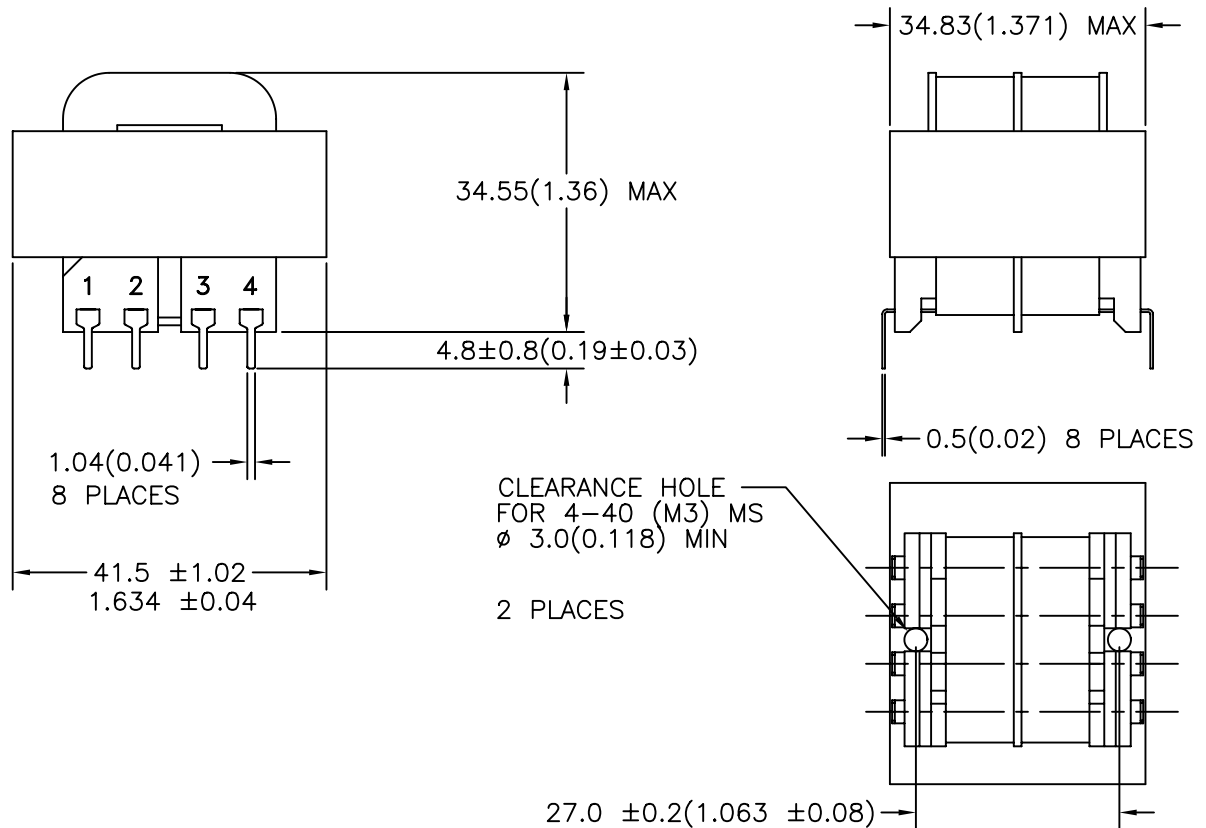
- Insulation Class B (130°C) File No. E92957
- CSA 22.2 Nos. 0 and 66, File No. LR69808
- UL 1585, Class II and III, File No. E95844
- UL 506, General Purpose, File No. E91239

D. Mechanical Specifications:



MODEL NUMBER

3FD-4XX & PSD4-XX



PREPARED BY:

D. Rund

ENGINEER:

T. Shiozawa

QUALITY CONTROL:

D. Kelley

APPROVED:

D. Kelley

DRAWING CONTROL NO.  
P-A1-11163  
ACAD\3F\A111631.DWG

REV  
B

MODEL DESCRIPTION  
SIZE 4 3FD & PSD FAMILY  
POWER TRANSFORMER

**TAMURA CORPORATION OF AMERICA**  
43352 BUSINESS PARK DRIVE, TEMECULA, CA. 92590-6624  
(909) 699-1270 FAX 9096769482

MODEL SPECIFICATION  
**3FD-4XX & PSD4-XX**

DIM: mm(In) SCL: NONE SH: 1 OF 2

PROPRIETARY NOTICE: THIS DRAWING PRINT OR DOCUMENT AND SUBJECT MATTER DISCLOSED HEREIN ARE PROPRIETARY ITEMS TO WHICH TAMURA RETAINS THE EXCLUSIVE RIGHT OF DISSEMINATION, REPRODUCTION, MANUFACTURE AND SALE. THIS DRAWING, PRINT OR DOCUMENT IS SUBMITTED IN CONFIDENCE FOR CONSIDERATION BY THE RECIPIENT ALONE UNLESS PERMISSION FOR FURTHER DISCLOSURE IS EXPRESSLY GRANTED IN WRITING.

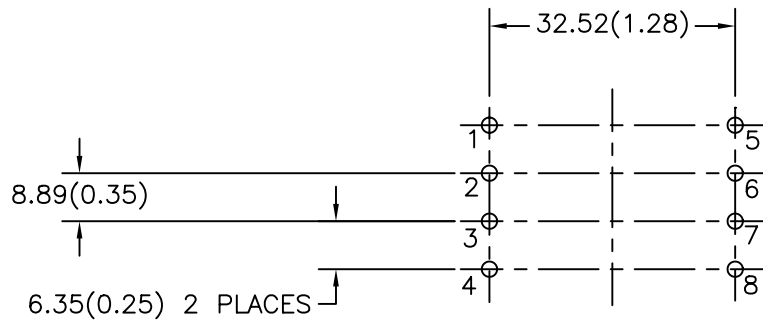
REV. Status

REVISION -  
07/23/96 TS

REVISION A  
REFORMATTED  
07/14/97 TS

REVISION B  
CHANGED A.7.  
08/23/99 TS

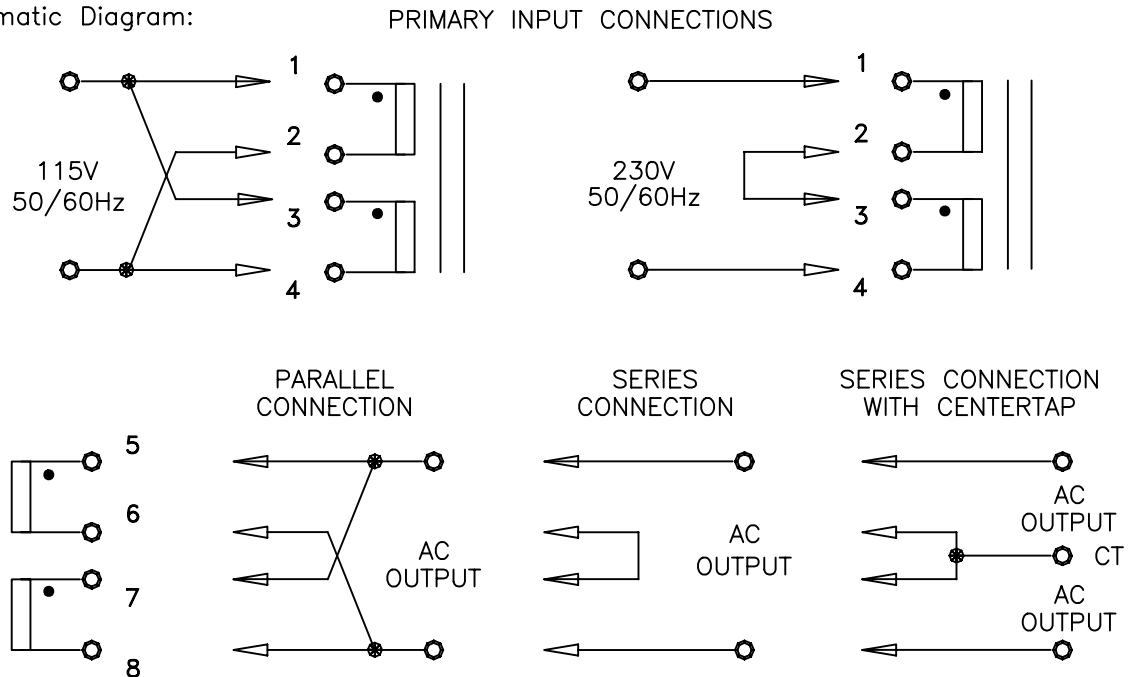
E. Mounting Footprint:



MODEL NUMBER

3FD-4XX & PSD4-XX

F. Schematic Diagram:



G. Table A: (NOTE: all parts are dual marked with both part numbers)

TAMURA PART NO.	MICROTRAN PART NO.	PARALLEL CONNECTION		SERIES CONNECTION		SERIES CONNECTION WITH CT	
		AC VOLTS	RMS AMPS	AC VOLTS	RMS AMPS	AC VOLTS	RMS AMPS
3FD-410	PSD4-10	5.0	1.20	10.0	0.60	5.0-CT-5.0	0.60
3FD-412	PSD4-12	6.3	1.00	12.6	0.50	6.3-CT-6.3	0.50
3FD-416	PSD4-16	8.0	0.80	16.0	0.40	8.0-CT-8.0	0.40
3FD-420	PSD4-20	10.0	0.60	20.0	0.30	10.0-CT-10.0	0.30
3FD-424	PSD4-24	12.0	0.50	24.0	0.25	12.0-CT-12.0	0.25
3FD-428	PSD4-28	14.0	0.40	28.0	0.20	14.0-CT-14.0	0.20
3FD-436	PSD4-36	18.0	0.34	36.0	0.17	18.0-CT-18.0	0.17
3FD-448	PSD4-48	24.0	0.25	48.0	0.125	24.0-CT-24.0	0.125
3FD-456	PSD4-56	28.0	0.22	56.0	0.11	28.0-CT-28.0	0.11
3FD-4120	PSD4-120	60.0	0.10	120.0	0.05	60.0-CT-60.0	0.05

PREPARED BY:

D. Rund

ENGINEER:

T. Shiozawa

QUALITY CONTROL:

D. Kelley

APPROVED:

D. Kelley

DRAWING CONTROL NO.  
P-A1-11163  
ACAD\3F\A111632.DWG

REV

B

MODEL DESCRIPTION  
SIZE 4 3FD/PSD FAMILY  
POWER TRANSFORMER

**TAMURA CORPORATION OF AMERICA**  
43352 BUSINESS PARK DRIVE, TEMECULA, CA. 92590-6624  
(909) 699-1270 FAX 9096769482

MODEL SPECIFICATION

3FD-4XX & PSD4-XX

DIM: mm(In) SCL: NONE SH: 2 OF 2

PROPRIETARY NOTICE: THIS DRAWING PRINT OR DOCUMENT AND SUBJECT MATTER DISCLOSED HEREIN ARE PROPRIETARY ITEMS TO WHICH TAMURA RETAINS THE EXCLUSIVE RIGHT OF DISSEMINATION, REPRODUCTION, MANUFACTURE AND SALE. THIS DRAWING, PRINT OR DOCUMENT IS SUBMITTED IN CONFIDENCE FOR CONSIDERATION BY THE RECIPIENT ALONE UNLESS PERMISSION FOR FURTHER DISCLOSURE IS EXPRESSLY GRANTED IN WRITING.