

**INPUT CHARACTERISTICS:****RHI-6400/6460P**

- VOLTAGE: 95 ~ 264 VAC FULL RANGE
- FREQUENCY : 47 ~ 63 Hz
- INPUT CURRENT: 8.0 / 4.0 A FOR 115 / 230 VAC PER MODULE
- INRUSH CURRENT: 65A / 125A MAX. FOR 115 / 230 VAC PER MODULE

**OUTPUT CHARACTERISTICS:**

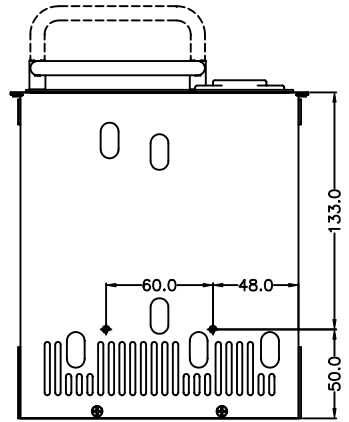
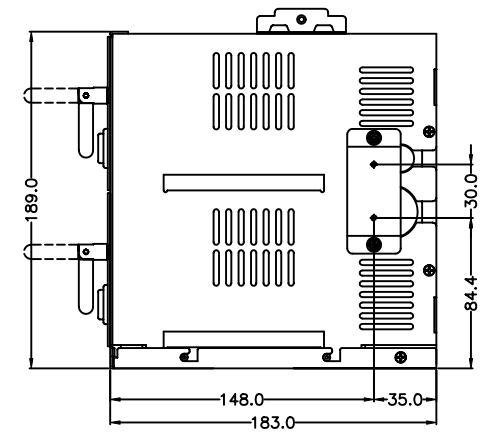
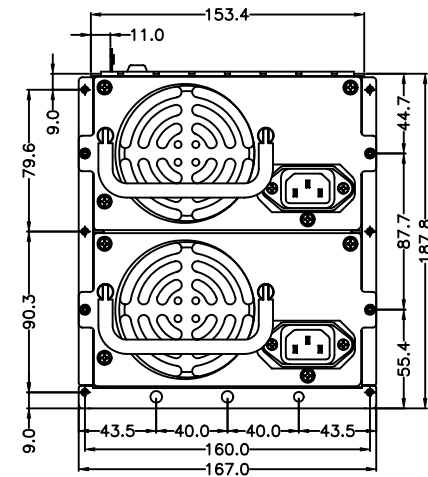
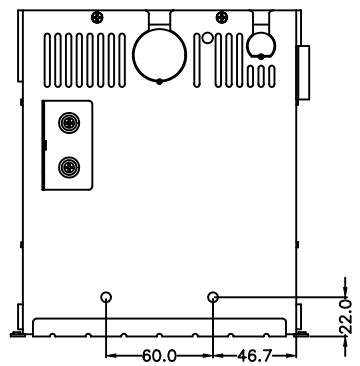
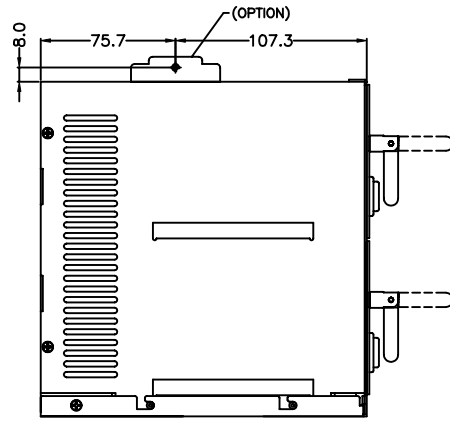
OUTPUT VOLTAGE	OUTPUT CURRENT		REGULATION		OUTPUT
	MIN.[A]	MAX.[A]	LOAD	LINE	RIPPLE & NOISE MAX. [P-P]
5V	5.0	35/40	± 5%	± 1%	60mV
12V	2.5	20/32	± 5%	± 1%	100mV
-5V	0	0.8	± 5%	± 1%	100mV
-12V	0	1	± 5%	± 1%	100mV
3.3V	1.0	28/30	± 5%	± 1%	60mV
+5VSB	0.1	2.0	± 5%	± 1%	60mV

REMARKS: XX / XX : 400W / 460W;

TOTAL POWER OUTPUT NOT EXCEED 400 / 460W


- TEMPERATURE RANGE : OPERATING 0°C --- 40°C, STORAGE -20°C --- 70°C
- HOLD UP TIME: 16 ms MINIMUM AT FULL LOAD & NORMAL INPUT VOLTAGE
- DIELECTRIC WITHSTAND: INPUT / OUTPUT 1500 VAC FOR 1 MINUTE  
INPUT TO FRAME GROUND 1500 VAC FOR 1 MINUTE
- EFFICIENCY: 65% TYPICAL, AT FULL LOAD
- POWER GOOD SIGNAL: ON DELAY 100 ms TO 500 ms, OFF DELAY 1 ms
- OVER LOAD PROTECTION: 110 ~ 160% MAX.
- OVER CURRENT PROTECTION : 6 CHANNELS
- OPEN LOOP PROTECTION
- SHORT CIRCUIT PROTECTION
- DOUBLE OVER VOLTAGE PROTECTION:  
**+5V → 5.7V ~ 6.5V, 3.3V → 3.9 ~ 4.3V, 12V → 13.6 ~ 15V**
- EMI NOISE FILTER: FCC CLASS B, CISPR22 CLASS B
- SAFETY: UL 1950, CSA 22.2 NO/ 950, TÜV IEC 950
- REMOTE ON / OFF CONTROL
- FAULTY ALARM METHODS : LED, BUZZER, TTL SIGNAL
- HOT-SWAPPABLE / HOT-PLUGGABLE 1 + 1 REDUNDANCY FUNCTION
- BUILT-IN ACTIVE POWER FACTOR CORRECTOR
- DIMENSION: 213.2(H) X 153.4(W) X 183(D) mm--RHD;  
189(H) X 167(W) X 183(D) mm--RHI; 106(H) X 354(W) X 194.2(D) mm--RHH
- COOLING : TWO 80 mm DC FANS
- USED 48 PINS INDUSTRIAL CONNECTORS

修訂 REVISIONS		日期 DATE
版次 REV.	記述 DESCRIPTION	



容許公差: TOLERANCES:	.XXX ±.025 .XX ±.100 .X ±.250
投影法: PROJECTION:	第三角法

材料規格: MATERIAL:	
核准者: APPROVE BY:	日期: DATE:
審核者: CHECK BY:	日期: DATE:
繪圖者: DRAW BY:	日期: DATE: SEP-13-2001

 新巨企業股份有限公司 ZIPPY TECHNOLOGY CORP. POWER DIVISION	品名: MODEL NO:	RHI外觀尺寸圖	
	料號: PART NO:	圖號: DRAW NO:	檔號: FILE NO:
單位: UNITS:	版次: REV. NO:	規格: SPEC.:	編號: SHEET:
	A1	A0	OF