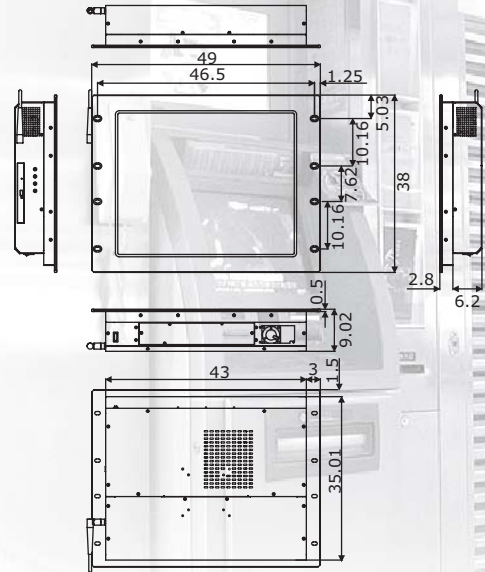


BPC-6690

19" High Speed Panel PC with Touch Screen, MainBoard, WLAN Module, 180W ATX P/S



Features

- Aluminum front panel design
- 19" TFT color panel display
- Built-in OSD key, touch screen, M/B, Wireless LAN module, 100~240V AC in 180W ATX P/S
- Provides Intel® Core™ 2 Duo/Celeron® processor (option)
- Onboard graphics, ethernet, audio controller
- 1 x 2.5" HDD space, 1 x 3.5" HDD space, 1 x slim CD-ROM space
- 2 x 4cm ball bearing cooling fan
- BPC-6690 provides 1 x COM, 4 x USB, Parallel

System

SBC Model

ATX MainBoard

CPU

Intel® Core™ 2 Duo/Celeron® processor (option)

BIOS

Award PnP Flash BIOS

System Memory

2 x 240-pin DIMM socket up to 2GB DDR2 SDRAM

Display Chipset

by mainboard

Audio Chipset

8CH High Definition audio controller

Ethernet Chipset

10/100 Mbps LAN

Wireless LAN Module

Drive Bay

1 x 2.5" HDD space

1 x 3.5" HDD space

1 x Slim CD-ROM space

Thermal System

2 x 4cm ball bearing cooling fan

Dimensions (LxHxW)

49.0 x 38.0 x 8.52 cm

Cut Out Size (LxH)

43.4 x 35.4 cm

Operation/Storage Temperature

0~+45 degrees C/-20~+70 degrees C

EMC

FCC/CE

Front Panel Protection

IP65 compliance

Power Supply

100~240V AC in 180W ATX power supply

Display

LCD Size

19"

Max Resolution

1280 x 1024 pixels

Brightness (cd/m²)

300 (center, Typ) @ 7.5mA

Contrast Ratio

800:1

LCD Color

16.7M colors

Pixel Pitch (mm)

0.294 x 0.294

OSD

Provides OSD function

Touch Screen

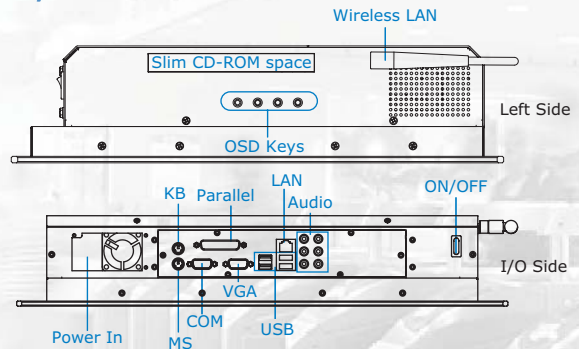
19" resistive

I/O Interface

External I/O

PS/2 KB, PS/2 MS, Parallel, 1 x COM, VGA, LAN, 4 x USB, MIC In, Line In, Line Out

Rear I/O



Ordering Guide

BPC-6690

19" Panel PC w/TFT Panel, Touch Screen, MainBoard, 2W Audio AMP, Wireless LAN Module, 180W ATX P/S

Accessory Options

Table Top Metal Stand, CPU, Memory Module, HDD, Slim CD-ROM