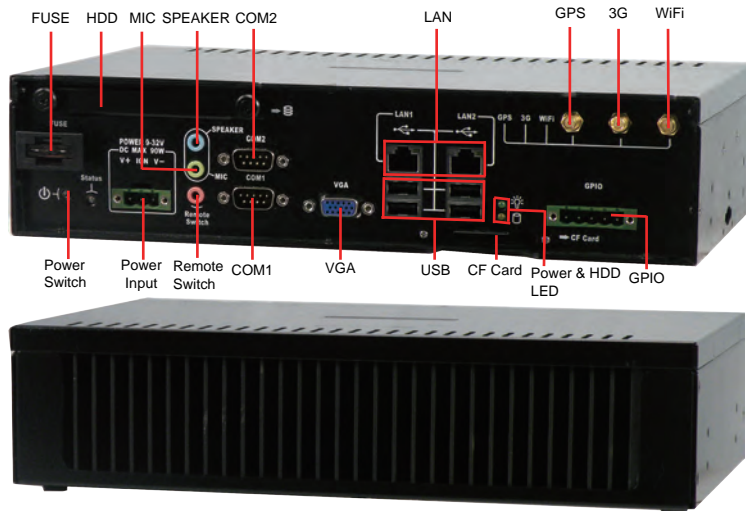


## AR-V5403FL

Fanless and Dustproof Intel 945GME Core 2 Duo Vehicle Computer



## Features

- ✔ Support Core 2 Duo / Core Duo / Core Solo / Celeron M
- ✔ 1 x VGA
- ✔ 4-bit GPIO (2 In, 2 Out)
- ✔ GPS / 3.5G / Wifi + Bluetooth Module Option
- ✔ External Removable HDD Bay
- ✔ Software programmable power off delay time

## Specification

### System

<b>CPU</b>	Intel Core 2 Duo/Core Duo/Core Solo/Celeron M : CPU T7400 / T5500 / T2500 / CM440
<b>Chipset</b>	Intel 945GME + ICH7M
<b>Front Side Bus</b>	533/667MHz
<b>Memory</b>	<ul style="list-style-type: none"> <li>• 1 x 200-pin SO-DIMM socket support 533/667MHz DDR2 SDRAM up to 2GB</li> <li>• 1GB pre-installed</li> </ul>

### Video

<b>Graphic Controller</b>	Intel 945GME integrated GMA 950 graphic controller
<b>Video Memory</b>	DVMT 3.0, Maximum 256MB shared
<b>Video Interface</b>	• 1 x VGA port (DB15)

### Storage

<b>IDE</b>	1 x IDE (44-pin)
<b>SATA</b>	2 x SATA II port
<b>CF</b>	1 x External Compact Flash Type I/II socket
<b>Disk Bay</b>	1 x Anti-shock 2.5" HDD bracket swappable without open case

### I/O

<b>Expansion Slot</b>	1 x miniPCIe (FOR Optional 3.5G Module only)
<b>Ethernet</b>	2 x Gbps RJ45 with LED, Broadcom BCM5787
<b>Serial Port</b>	4 x RS-232 (2 x DB9, 2 x pin header, COM3 for PIC on power circuit, COM4 for GPS)
<b>USB</b>	8 X USB 2.0 (4 x external port, 3 x pin header , 1 x for Mini PCIe 3.5G)
<b>GPIO</b>	4-bit GPIO (2 In, 2 Out) with 5 pin terminal block, 2-in/GND/2-out
<b>Audio</b>	Realtek ALC888 Audio Codec
<b>Antenna Hole</b>	1 x SMA for GPS, 1 x SMA for 3.5G, 1 x SMA for WiFi + Bluetooth
<b>SIM</b>	SIM slot x 1, SIM card changeable without opening case, latch to protect SIM uncertainly touch

### Others

<b>GPS(option)</b>	GPS Module (COM4)
<b>3.5G(option)</b>	3.5G Module (Mini PCIe)
<b>WiFi + Bluetooth(option)</b>	Wifi + Bluetooth Combo module (USB2)

### Hardware Feature

<b>WatchDog Timer</b>	Software programmable 0~255 sec.
-----------------------	----------------------------------

### Software

<b>OS Support</b>	Windows XP Embedded, Linux FC 12
-------------------	----------------------------------

### Power

<b>Power Input</b>	Power onboard design (AR-B5403) <ul style="list-style-type: none"> <li>• Wide range input DC 9V~32V</li> <li>• Fuse Design</li> <li>• Smart ATX power function:             <ol style="list-style-type: none"> <li>a. Power on/off retry</li> <li>b. Adjustable delay time for system OFF by Switch on power module (Mode2~Mode7)</li> <li>c. System on/off by Vehicle ignition or Remote switch button</li> <li>d. Low Power input monitoring, Auto shutdown</li> </ol> </li> </ul>
--------------------	--

### Mechanical & Environment

<b>Dimension( W x D x H )</b>	189.7mm x 285mm x 67.2mm
<b>Operating Temp.</b>	-15~50°C (-4~122°F) with Industrial Grade CF or SSD -15~45°C (-40~113°F) for T7400 CPU with Industrial Grade CF or SSD
<b>Storage Temp.</b>	-20~80°C (-4~176°F)
<b>Safety</b>	CE, FCC class B

### Packing List

- 1 x AR-V5403FL
- 1 x User Guide CD with driver
- 2 x Wall Mount Bracket
- 1 x Screw pack (2.5" HDD bracket : 4pcs)
- 1 x Terminal block (Plug-DC connector)
- 1 x Terminal block (Plug-GPIO connector)
- 1 x KB/MS Y Cable
- 1 x Fuse 7.5A for 24V vehicles
- 1 x Antenna for GPS (option)
- 1 x Antenna for 3.5G (option)
- 1 x Antenna for Bluetooth+WiFi (option)

### Ordering Information

<b>AR-V5403FLT74</b>	AR-V5403FL with Intel T7400 Core 2 Duo 2.16GHz, 1GB DDR2
<b>AR-V5403FLT55</b>	AR-V5403FL with Intel T5500 Core 2 Duo 1.66 GHz, 1GB DDR2
<b>AR-V5403FLT25</b>	AR-V5403FL with Intel T2500 Core 2 Duo 2.0GHz, 1GB DDR2
<b>AR-V5403FL440</b>	AR-V5403FL with Intel Celeron M 440 1.86GHz, 1GB DDR2

### Optional: (Purchase Separately)

<b>3.5G Module</b>	Sierra MC8790V with RF cable, Antenna
<b>GPS Module</b>	GlobalSat ET-332 module with RF cable, COM cable, Antenna
<b>Wifi + Bluetooth Combo Module</b>	2 in 1 module (WLBT-Combo-E) with RF cable, USB cable, Antenna