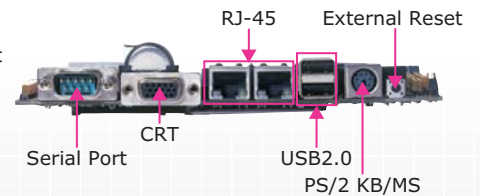
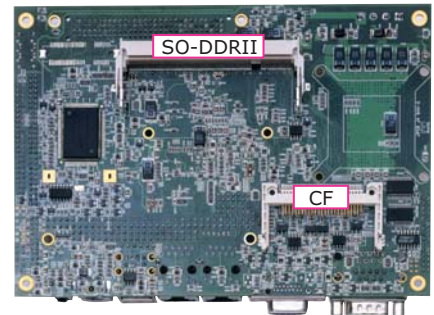
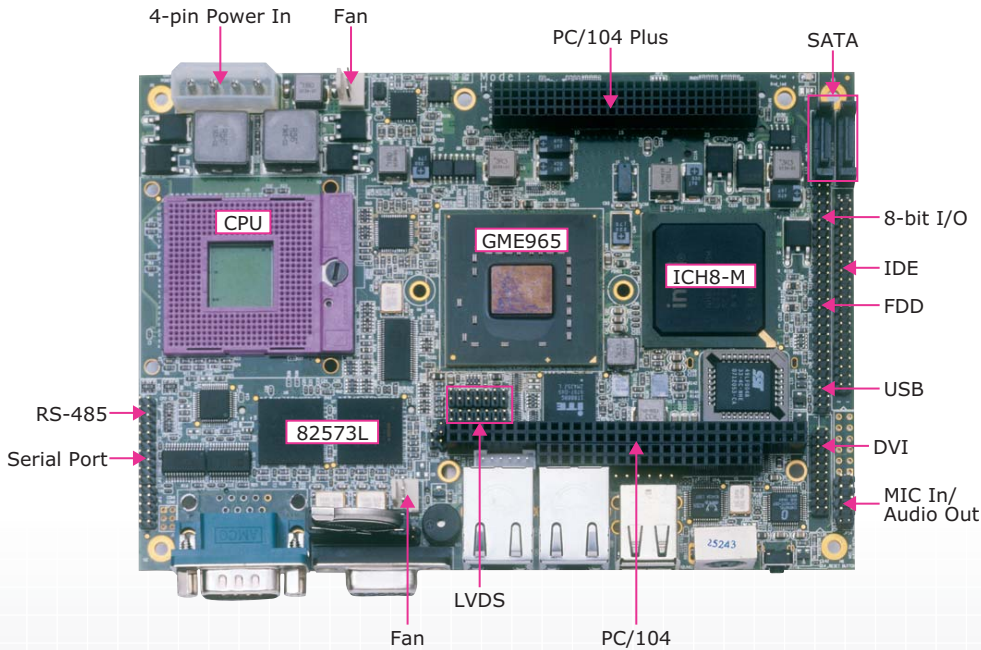


# HS-3638

Intel® Core™ 2 Duo Mobile processor Embedded Engine Board with CF, DVI/CRT/LVDS, Dual GB LAN, Audio, SATAII, USB2.0

Single Board Computer  
4.5" Embedded Engine Board



- CompactFlash
- Audio
- PC/104
- Mini PCI-E Slot
- SATAII
- PC/104 Plus
- 8-bit I/O
- ATA/33/66/100
- USB2.0
- DVI/CRT/LVDS
- RS-232/485
- WDT
- Dual GB LAN
- 4 COM
- H/W Monitor

## FEATURES

- ▶ Intel® Core™ 2 Duo Mobile processor 1.8~2.4GHz
- ▶ Supports 800MHz FSB
- ▶ One SO-DDR2 socket with a max. capacity of 1GB
- ▶ Intel® GME965 GMCH/ICH8-M chipset
- ▶ Winbond W83627EHG super I/O chipset
- ▶ Intel® GME965 graphics controller
- ▶ 24-bit/48-bit LVDS Panel display interface
- ▶ Dual Intel® 82573L Gigabit Ethernet controller
- ▶ ALC883 HD audio controller
- ▶ Intel® ICH8-M Serial ATA controller
- ▶ Fast PCI ATA/33/66/100 IDE controller
- ▶ CF, mini PCI-E slot, 8-bit I/O, 4 COM, PC/104, PC/104 Plus, 4 USB2.0
- ▶ Hardware Monitor function
- ▶ Provides DVI display interface (optional)

## ORDERING GUIDE

- ▶ **HS-3638**  
Intel® Core™ 2 Duo Mobile processor SBC w/CF, CRT/LVDS, Dual GB LAN, Audio, SATAII, 4C/485, 4 USB2.0

## SPECIFICATIONS

- \***CPU:** Intel® Core™ 2 Duo Mobile processor (T7700, T7500, T7300, T7100)
- \***Front Side Bus:** 800MHz FSB
- \***Memory:** One SO-DDR2 socket supports up to 1GB
- \***Chipset:** Intel® GME965 GMCH/ICH8-M
- \***I/O Chipset:** Winbond W83627EHG
- \***CompactFlash:** One, Type I/II IDE interface adapter
- \***PCI Slot:** Mini PCI-E slot x 1
- \***8-bit I/O:** 8-bit input/output port (parallel port)
- \***VGA:** Intel® GME965 for CRT display with DVMT4.0 supports up to 256MB video memory; And CHRONTEL CH7307 provides 20-pin header for DVI display (DVI function is optional)
- \***LVDS:** Supports 24-bit single/48-bit dual channel LVDS interface
- \***Ethernet:** Dual Intel® 82573L 10/100/1000 Based LAN
- \***Audio:** RealTek ALC883 HD audio controller
- \***Serial ATAII:** Intel® ICH8-M controller and with 2 ports
- \***IDE:** One 2.0-pitch 44-pin IDE connector
- \***FDD:** Supports up to two floppy disk drives
- \***Serial Port:** 16C550 UART-compatible RS-232/485 x 1 and RS-232 x 3 serial ports with 16-byte FIFO
- \***PC/104:** PC/104 Bus connector for ISA Bus
- \***PC/104 Plus:** PC/104 Bus connector for PCI Bus
- \***USB:** 4 USB2.0 ports, internal x 2 and external x 2
- \***Keyboard/Mouse:** PS/2 6-pin Mini DIN or 6-pin header
- \***BIOS:** AMI PnP Flash BIOS
- \***Watchdog Timer:** Software programmable time-out intervals from 1~255 sec.
- \***CMOS:** Battery backup
- \***Temperature:** 0~+60°C (operating)
- \***Hardware Monitor:** Winbond W83627EHG
- \***Dimensions:** 16.5(L) x 11.5(W) cm