

INPUT CHARACTERISTICS:**MAN3-3570P**

- VOLTAGE: 90 - 264 VAC FULL RANGE
- FREQUENCY: 47 - 63 Hz
- INPUT CURRENT: 25.0 /12.5A (115 / 230 VAC)

OUTPUT CHARACTERISTICS:

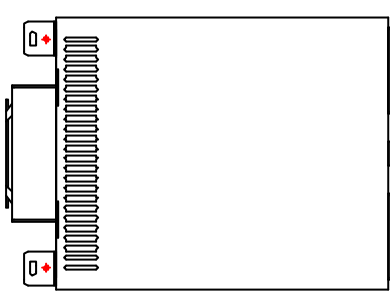
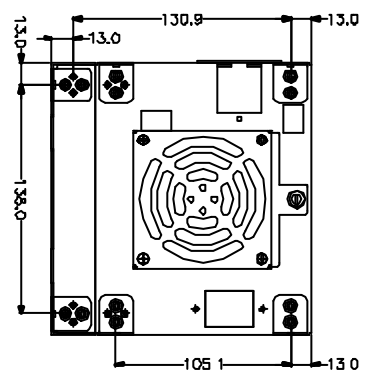
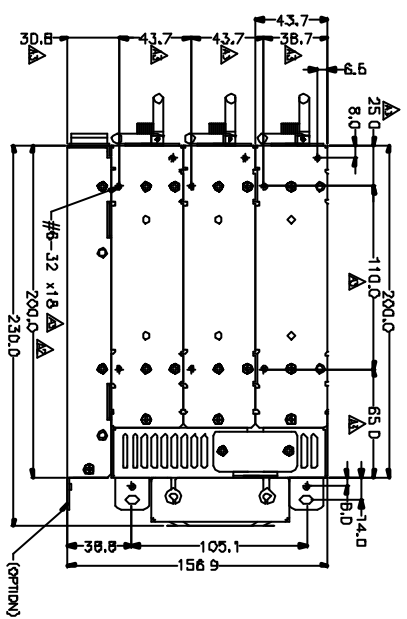
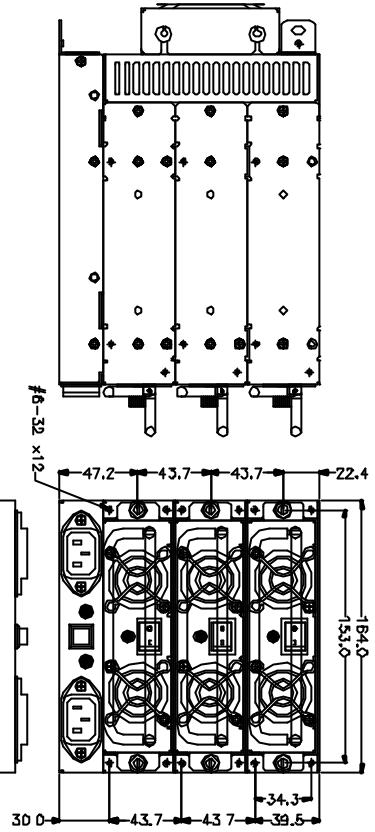
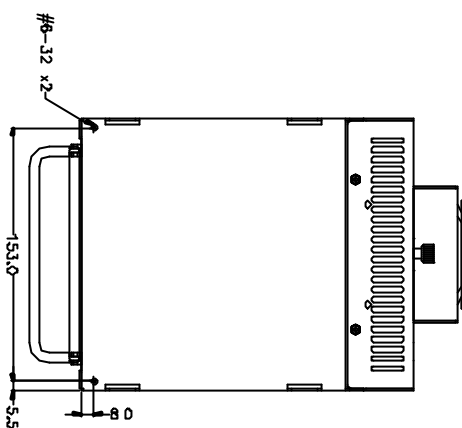
OUTPUT VOLTAGE	OUTPUT CURRENT		REGULATION		OUTPUT
	MIN. [A]	MAX. [A]	LOAD	LINE	RIPPLE & NOISE MAX. [P-P]
5V	10	50	± 5%	± 1%	50mV
12V	4.0	36	± 6%	± 1%	100mV
+5VSB	0	1.2	± 5%	± 1%	50mV

REMARKS: MAX. TOTAL OUTPUT: 570W

SPECIFICATION:

- TEMPERATURE RANGE: OPERATING 0 --- 40
- HOLD UP TIME: 16 ms MINIMUM AT FULL LOAD & NORMAL INPUT VOLTAGE
- DIELECTRIC WITHSTAND: INPUT / OUTPUT 1500 VAC FOR 1 SECOND
INPUT TO FRAME GROUND 1500 VAC FOR 1 SECOND
- EFFICIENCY: 68% TYPICAL
- POWER GOOD SIGNAL: ON DELAY 100 ms TO 500 ms
- OVER LOAD PROTECTION: 130 +/- 20%
- OVER VOLTAGE PROTECTION: **+5V → 5.74V ~ 7V, 12V → 14.3V ~ 15.6V, 5VSB → 5.74 ~ 7V**
- SHORT CIRCUIT PROTECTION: **Shut down and latch off**
- EMI NOISE FILTER: FCC CLASS B, CISPR22 CLASS B
- SAFETY: MEET UL 1950, CSA 22.2 MP/ 950, TÜV IEC 950
- REMOTE ON / OFF CONTROL
THE UNIT SHALL ACCEPT A LOGIC OPEN COLLECTOR LEVEL WHICH WILL DISABLE / ENABLE ALL THE OUTPUT VOLTAGE (EXCLUDE +5V STANDBY), AS LOGIC LEVEL IS LOW, OUTPUTS VOLTAGE WERE ENABLE, AS LOGIC LEVEL IS HIGH, OUTPUTS VOLTAGE WERE DISABLE.
- N + 1 REDUNDANCY FUNCTION
- HOT-SWAPPABLE FUNCTION
- CURRENT / BALANCE LOAD SHARING DESIGN
- 12V / 5V REMOTE SENSING
- ISOLATION: BUILT-IN IN EACH POWER MODULE
- COOLING: TWO 40mm DC FANS IN EACH MODULE & TWO 80mm DC FANS IN POWER CHASSIS
- DIMENSION: 230 (D) x 164 (W) x 156.9 (H) mm
- I2C INTERFACE BUILT-IN IS OPTIONAL

REV	REVISIONS	DATE
A2	增加長度	MAR/17/98
A3	增加側面抽穿孔	DEC-20-1999



容許公差:
TOLERANCES:
.XXX ±.025
XX ±.100
X ±.250

材料規格:
MATERIAL:
核准者: _____
DATE: _____
審核者: _____
DATE: _____
繪圖者: _____
DATE: _____
DRAW BY: _____

模型 NO. MRN3 外觀尺寸圖 (1)



投影法: 第三角法
PROJECTION: THIRD ANGLE

核准者: _____ DATE: _____
審核者: _____ DATE: _____
繪圖者: _____ DATE: _____
DRAW BY: _____

圖號: MRN3MA00 檔案: MRN3MA00
DRAW NO. FILE NO.
單位:mm 版次: A3 規格: A0 圖號: OF
UNITS REV. NO. SIZE SHEET