

## Termination/Wired Access Products





# Terminal Blocks

## Connectorized Terminal Blocks

### Features and Benefits

- Prewired to three, four, five or six 50-pin connectors
- Horizontal or vertical wiring patterns
- Mount on standard distribution frames with 5" (12.7 cm) centers (AE frames) and 1.375" x 7.5" (3.49 x 19.05 cm) centers (WECCO frames)
- Adjustable mounting brackets available for distribution frames with 8" (20.32 cm), 8.5" (21.59 cm), 9" (22.86 cm) and 9.5" (24.13 cm) centers
- 8" (20.32 cm) fanning strip



### Ordering Information

Description	Catalog Number
<b>6 x 25 Pin Pattern</b> horizontal wiring pattern; (3) 50-pin connectors Plug connector Receptacle connector	C-0103M-900 C-0103F-900
<b>6 x 24 Pin Pattern</b> vertical wiring pattern; (3) 50-pin connectors Plug connector Receptacle connector	C-0103M-901 C-0103F-901
<b>8 x 25 Pin Pattern</b> horizontal wiring pattern; (4) 50-pin connectors Plug connector Receptacle connector	C-0104M-900 C-0104F-900
<b>8 x 24 Pin Pattern</b> vertical wiring pattern; (4) 50-n connectors Plug connector Receptacle connector	C-0104M-901 C-0104F-901
<b>10 x 25 Pin Pattern</b> horizontal wiring pattern; (5) 50-pin connectors Plug connector Receptacle connector	C-0105M-900 C-0105F-900
<b>10 x 24 Pin Pattern</b> vertical wiring pattern; (5) 50-pin connectors Plug connector Receptacle connector	C-0105M-901 C-0105F-901
<b>12 x 25 Pin Pattern</b> horizontal wiring pattern; (6) 50-pin connectors Plug connector Receptacle connector	C-0106M-900 C-0106F-900
<b>12 x 24 Pin Pattern</b> vertical wiring pattern; (6) 50-pin connectors Plug connector Receptacle connector	C-0106M-901 C-0106F-901

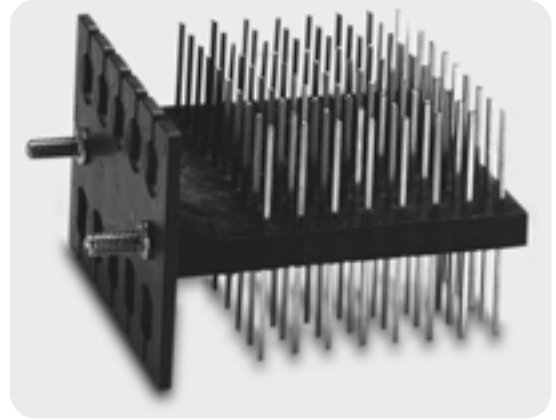
Dimensional drawings and specifications are found on pages 67-70.

# Terminal Blocks

## Wrapid Terminal Blocks

### Features and Benefits

- Terminals: nickel silver
- Block and fanning strips: flame retardant thermoplastic (oxygen index  $\geq 28$ , UL94-V0)
- Mounting studs: 8-32 steel plated (per MIL-F-14072 #M262, Type II)



### Ordering Information

Description	Height	Catalog Number
<b>Wrapid Terminal Blocks</b>		
wire-wrap/wire-wrap		
Pin Pattern		
4 x 10	1.75" (4.45 cm)	PJ604
6 x 10	2.25" (5.72 cm)	PJ606
8 x 10	2.75" (6.96 cm)	PJ608
10 x 10	3.25" (8.26 cm)	PJ610
12 x 10	3.75" (9.53 cm)	PJ612

## Molded Terminal Blocks

### Features and Benefits

- Terminals: nickel silver
- Block: unfilled blend of polycarbonate and ABS



### Ordering Information

Description	Height	Catalog Number
<b>Molded Terminal Blocks</b>		
Pin Pattern		
6 x 10	1.625" (4.13 cm)	PJ656



# Terminal Blocks

## Terminal Block Accessories

Termination/Wired Access Products

9/00 • 187

### Ordering Information

Description	Catalog Number
<p><b>Adjustable Bracket</b> mounts ADC connectorized terminal blocks on non-standard terminal block mounting dimensions; allow most blocks to use variable mounting centers of 8" (20.32 cm), 8.5" (21.59 cm), 9" (22.86 cm), and 9.5" (24.13 cm)</p>	BK-310
<p><b>Frame and Rack Mounting Accessories</b> Swivel mounting bracket</p>	BK-250-S
<p>Single vertical rack mounting bar 19" (48.26 cm) 23" (58.42 cm)</p>	BK-119 BK-123
<p>Double horizontal rack mounting bar 19" (48.26 cm) 23" (58.42 cm)</p>	BK-219 BK-223
<p>Double vertical rack mounting bar 19" (48.26 cm) 23" (58.42 cm)</p>	BK-319-S BK-323-S



Adjustable Mounting Brackets

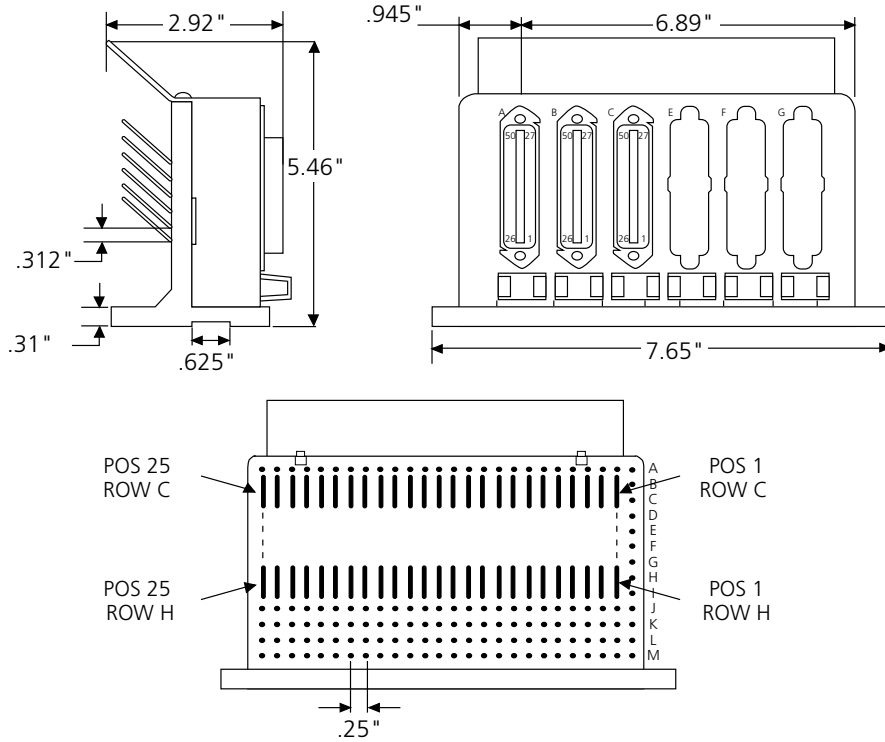


Frame and Rack Mounting Accessories

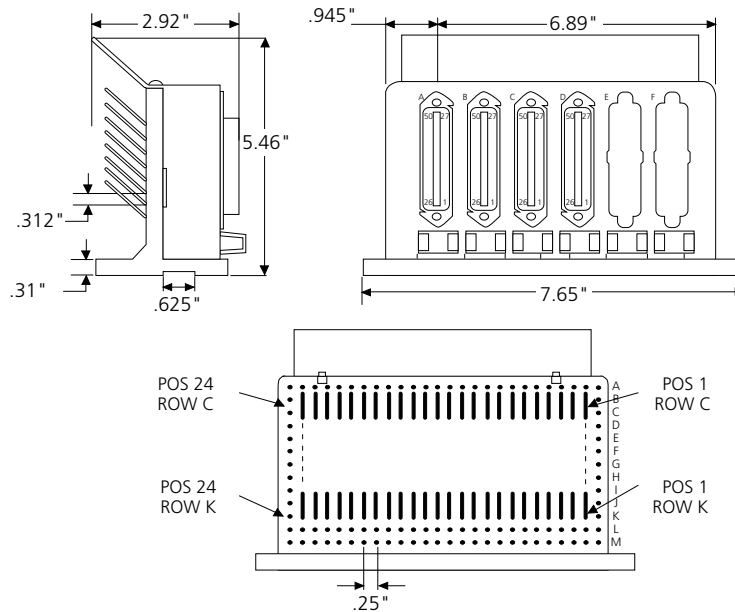


# Connectorized Terminal Blocks

## 6 x 25 and 6 x 24, (3) 50-pin Connectors



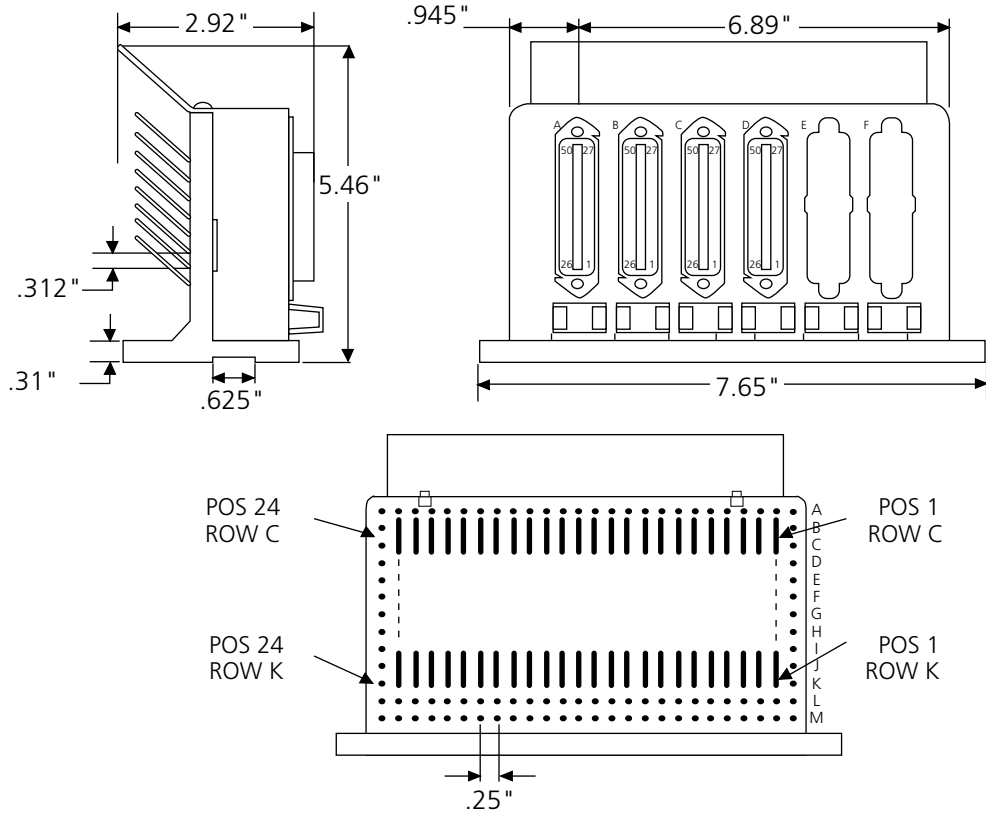
## 6 x 25 and 8 x 24, (4) 50-pin Connectors





# Connectorized Terminal Blocks

8 x 25 and 8 x 24, (4) 50-pin Connectors



C-0104M-901

8" (20.32 cm) Fanning Strip

7.5" (19.05 cm) Mounting Centers (optional Adjustable Mounting Bracket #BK 310)

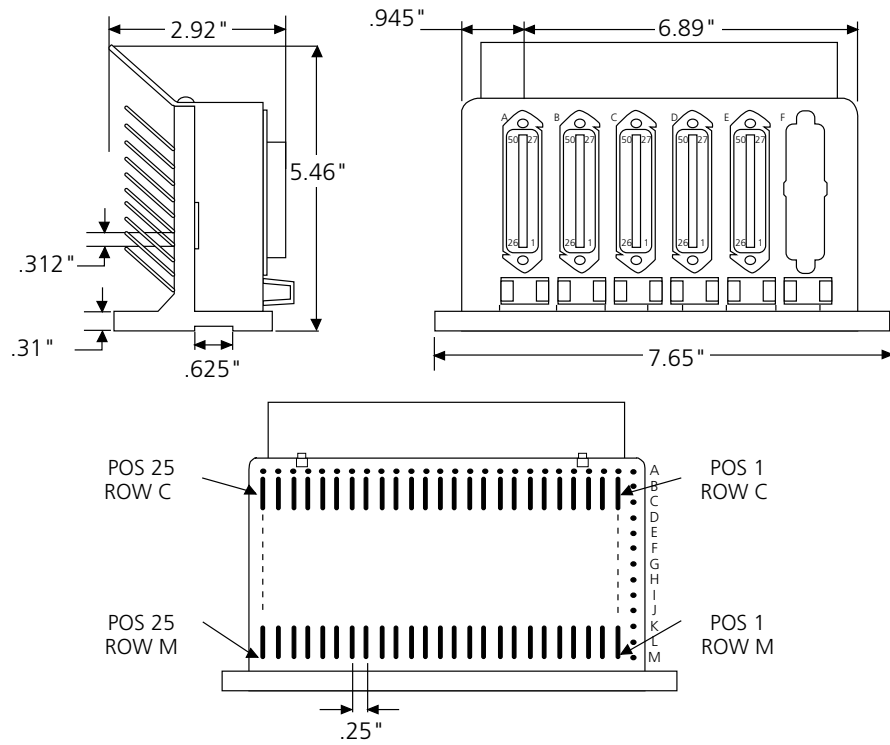
Termination/Wired Access Products

9/00 • 187

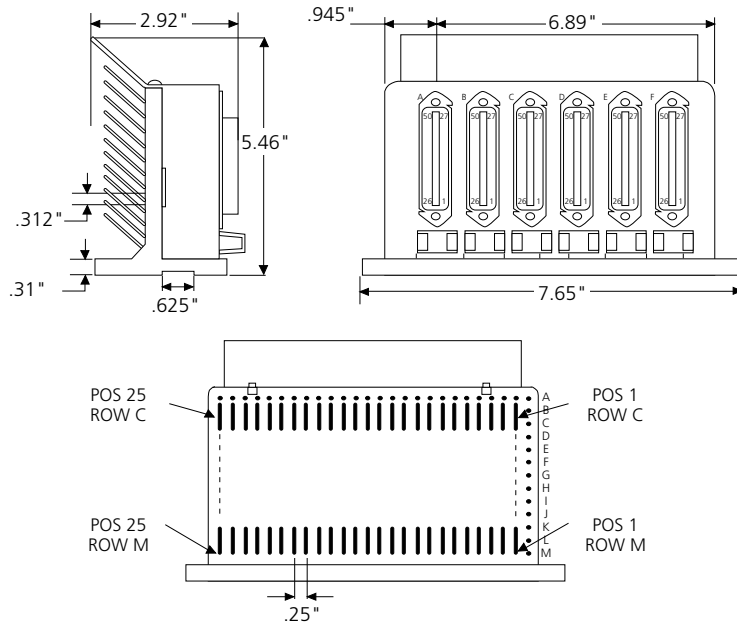


# Connectorized Terminal Blocks

10 x 25 and 10 x 24, (5) 50-pin Connectors



12 x 25 and 12 x 24, (6) 50-pin Connectors





# Connectorized Terminal Blocks

## Specifications

### ELECTRICAL

<b>Insulation Resistance:</b>	10,000 Megohms minimum at 500 Vdc
<b>Dielectric Withstanding Voltage:</b>	500 VAC, 60 Hz for one minute
<b>Current Capacity:</b>	5 amps per circuit or current carrying capacity of wire used
<b>Cross Talk:</b>	< -80 dB at 20 kHz
<b>Termination Resistance:</b>	2 milliohms

### MECHANICAL

<b>Thermal Shock:</b>	Per MIL-STD-202, method 107
<b>Moisture Resistance:</b>	Per MIL-STD-202, method 106
<b>Vibration:</b>	Per MIL-STD-202, method 201
<b>Mechanical Shock:</b>	Per MIL-STD-202, method 213, test condition A
<b>Strength:</b>	Block capable of supporting 50 lbs. perpendicular to the plane of the connectors without damage
<b>Wire-wrap Pins</b>	
<b>Strip force of wrapped wire:</b>	6 lbs. minimum using 26 AWG wire
<b>Connection Integrity:</b>	Gas tight connections in corrosive gaseous environments up to 50 rewrops

### MATERIALS:

<b>Terminal Blocks:</b>	Flame retardant thermoplastic, oxygen index $\geq 28$ , UL94-VO
<b>Terminals:</b>	Nickel silver
<b>Connectors:</b>	Industry standard 50- and 64-pin connectors, male or female
<b>Dust Covers:</b>	Attached to each connector before shipment
<b>Cable Locking or Tying Feature:</b>	Provided for each connector

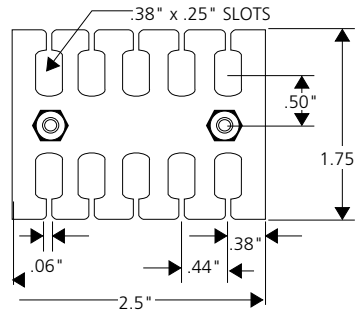
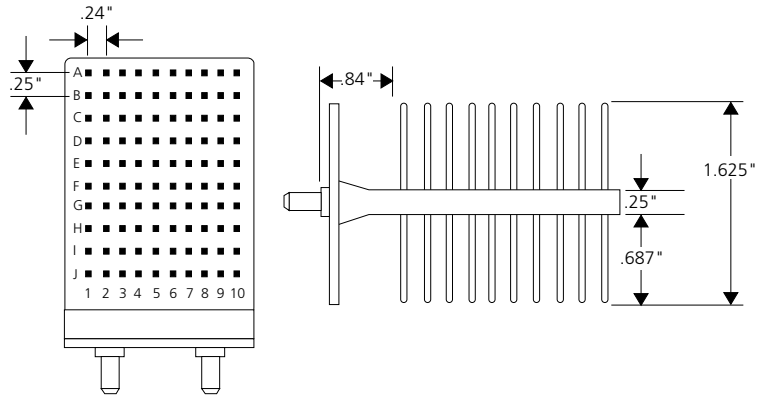




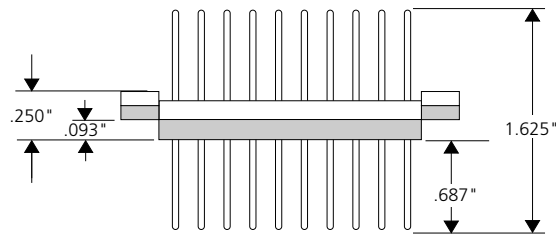
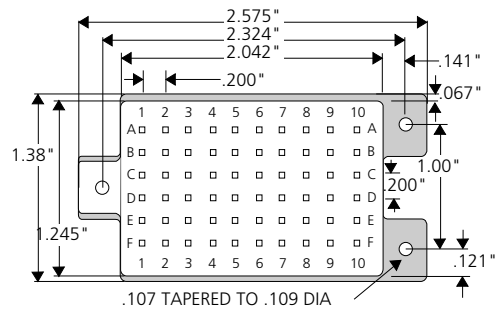
# Terminal Blocks

4 x 10 - 12 x 10 Wire-Wrap to Wire-Wrap

Termination/Wired Access Products



6 x 10 Molded Terminal Block





**Web Site: [www.adc.com](http://www.adc.com)**

From North America, Call Toll Free: 1-800-366-3891 • Outside of North America: +1-952-938-8080 Fax: +1-952-946-3292  
For a complete listing of ADC's global sales office locations, please refer to our web site.

ADC Telecommunications, Inc., P.O. Box 1101, Minneapolis, Minnesota USA 55440-1101  
Specifications published here are current as of the date of publication of this document. Because we are continuously improving our products, ADC reserves the right to change specifications without prior notice. At any time, you may verify product specifications by contacting our headquarters office in Minneapolis. ADC Telecommunications, Inc. views its patent portfolio as an important corporate asset and vigorously enforces its patents. Products or features contained herein may be covered by one or more U.S. or foreign patents.

