

INPUT CHARACTERISTICS:**D2U-6300F**

- VOLTAGE: DC – 40 V ~ – 56 V
- INPUT CURRENT: 12.0 A (RMS) FOR – 48 VDC
- INRUSH CURRENT : 30 A MAX.

OUTPUT CHARACTERISTICS:

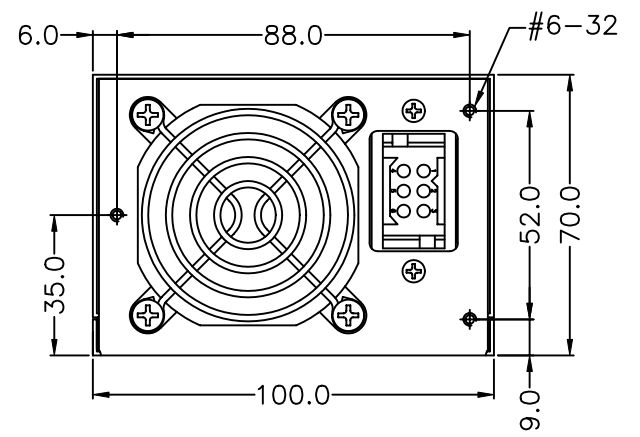
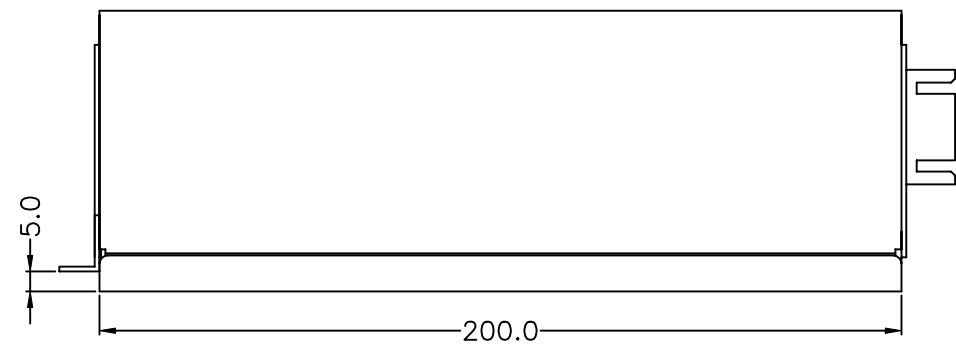
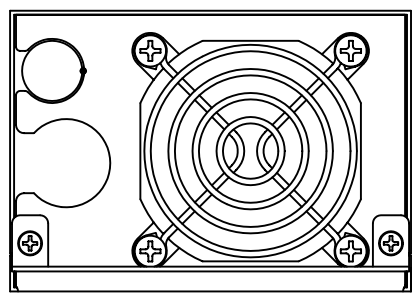
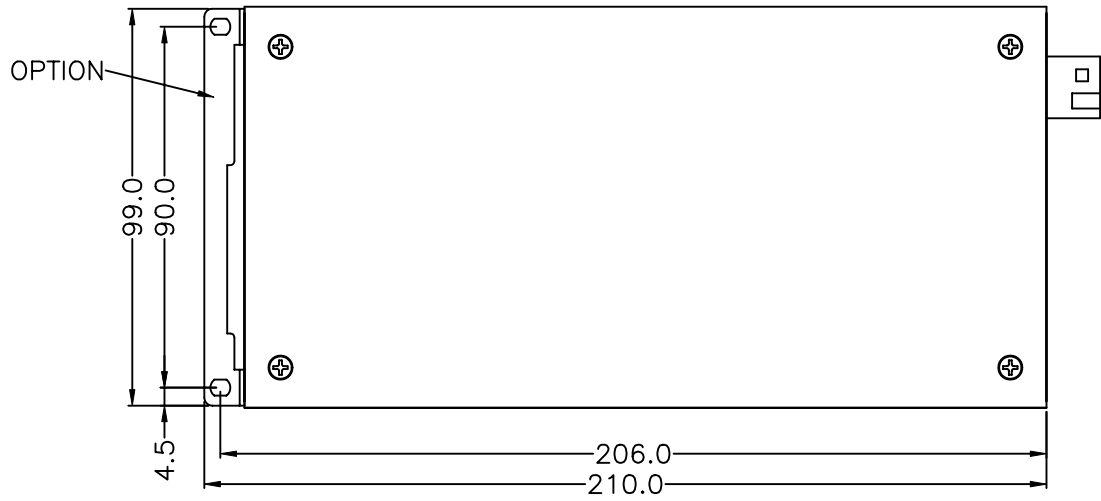
OUTPUT VOLTAGE	OUTPUT CURRENT		REGULATION		OUTPUT RIPPLE & NOISE MAX. [P-P]
	MIN. [A]	MAX. [A]	LOAD	LINE	
5V	3.0	34	± 5%	± 1%	80mV
12V	2.0	14.0	± 8%	± 1%	120mV
-5V	0.05	0.5	±10%	± 1%	120mV
-12V	0.05	1.0	-10%~+10%	± 1%	150mV
3.3V	1.0	20	± 5%	± 1%	80mV
+5VSB	0.1	1.5	± 5%	± 1%	70mV

REMARKS: 1. MAXIMUM OUTPUT OF +5V AND +3.3V NOT EXCEED 35 A
 2. TOTAL OUTPUT OF 3.3V, 5V AND 12V NOT EXCEED 285W

SPECIFICATION:

- TEMPERATURE RANGE: OPERATING 0 --- 50
- HOLD UP TIME: 1.6 ms MINIMUM AT FULL LOAD & NORMAL INPUT VOLTAGE
- DIELECTRIC WITHSTAND: INPUT / OUTPUT 1500 VAC FOR 1 SECOND
 INPUT TO FRAME GROUND 1500 VAC FOR 1 SECOND
- EFFICIENCY: 65% TYPICAL, AT FULL LOAD
- POWER GOOD SIGNAL: ON DELAY 100 ms TO 500 ms, OFF DELAY 1 ms
- OVER LOAD PROTECTION: 130 +/- 20%
- OVER VOLTAGE PROTECTION: **5V → 5.5V ~ 7V, 3.3V → 4.0 ~ 4.5V, 12V → 13 ~ 15V**
- SHORT CIRCUIT PROTECTION: +5V, -5V, +12V, -12V, +3.3V
- EMI NOISE FILTER: FCC CLASS A, CISPR22 CLASS A
- SAFETY: UL 1950, CSA 22.2 NO/ 950, TÜV IEC 950
- REMOTE ON / OFF CONTROL
 THE UNIT SHALL ACCEPT A LOGIC OPEN COLLECTOR LEVEL WHICH WILL DISABLE / ENABLE ALL THE OUTPUT VOLTAGE (EXCLUDE +5V STANDBY), AS LOGIC LEVEL IS LOW, OUTPUTS VOLTAGE WERE ENABLE, AS LOGIC LEVEL IS HIGH, OUTPUTS VOLTAGE WERE DISABLE.
- COOLING: TWO 60mm DC FANS
- DIMENSION: 200 (D) x 100 (W) x 70 (H) mm
- INPUT SOURCE CONNECTOR : POSITRONIC BLUE CONNECTOR

修訂 REVISIONS		日期 DATE
版次 REV.	記號 DESCRIPTION	



容許公差: TOLERANCES:	.XXX ±.025 .XX ±.100 .X ±.250
----------------------	-------------------------------------

投影法:
PROJECTION:
第三角法

材料規格: MATERIAL:	
核准者: APPROVE BY:	日期: DATE:
審核者: CHECK BY:	日期: DATE:
繪圖者: DRAW BY:	日期: DATE:



品名:
MODEL NO: **D2U 外觀尺寸圖**

料號:
PART NO:

圖號: **D2U0MA00** 檔號: **D2U0MA00**
DRAW NO: FILE NO:

單位: mm 版次: **A1** 規格: A2 編號: OF
UNITS: REV. NO: SPEC.: SHEET: