

**DATA SHEET**
**SPECIFICATIONS**
**MODEL #5301  
AC GENERATOR**
**AC CHARACTERISTICS FROM  
A 3 PHASE WINDING**

RPM	VOLTAGE	AMPERES
6,260	22.1 (MAX)	0.52 (MIN)
11,810	45.1 (MAX)	0.68 (MIN)
11,810	28.1 (MAX)	0.9 (MAX)
11,810	36.25 (MAX) (LINE TO LINE)	NO LOAD

<b>SHT CKT AMPS:</b>	0.9 AMPS (MAX)
<b>OVERSPEED:</b>	13,695 RPM FOR 10 MINUTES
<b>WINDINGS:</b>	
<b>ELECTRICAL</b>	3 PHASE WYE CONNECTED
<b>POLES:</b>	12
<b>COOLING:</b>	AIR/OIL BATH
<b>AMBIENT:</b>	-65°F TO +300°F
<b>ALTITUDE:</b>	0 TO 35,000 FT
<b>LIFE:</b>	7.5 YEARS
<b>MTBF:</b>	100 HOURS
<b>WEIGHT:</b>	ROTOR 0.20 LBS (MAX) STATOR 0.40 LBS (MAX)
<b>COMPLIANCE:</b>	MIL-STD-461B MIL-STD-462 MIL-STD-810C MIL-STD-202

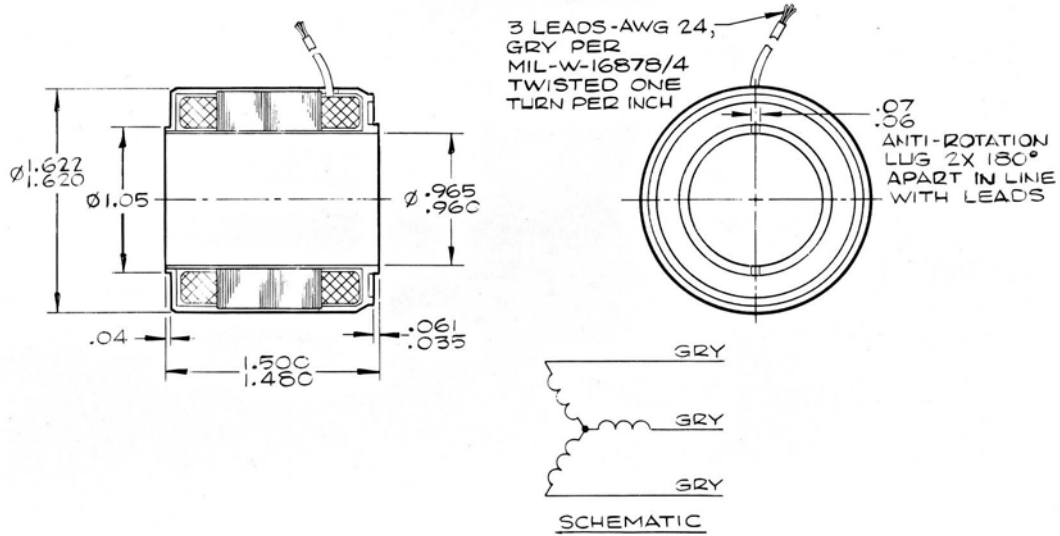

**DESCRIPTION**

Model 5301 comprises a rotor/stator frameless set. It is installed within a fuel pump cavity and provides power to a full-authority, digital engine controller (FADEC).

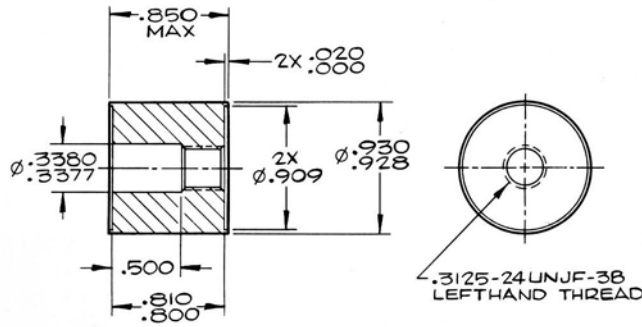
The rotor is completely encapsulated and features 12 rare earth magnets.

The stator is hand-wound for high-power densities and is protected by a stainless steel jacket against exposure to fuel.

**OUTLINE DETAILS**



**STATOR ASSEMBLY**



**ROTOR ASSEMBLY**