



Main Features

- 7" WVGA TFT LCD monitor
- Automatic/ manual brightness control
- Remote system power control
- On screen control buttons
- Support USB 2.0 and card reader
- Camera sensor on front panel (Optional)
- Optional sunlight readable touch support
- Front panel compliant with IP54

Product Overview

VMD 1000 is a 7-inch TFT LCD monitor with 4 wire resistant touch screen sensor. With the high brightness display and automatically brightness control, it is designed for in-vehicle application. It also provides USB and card reader features, and reserves camera sensor as an option. Those friendly interfaces benefit the technicians during maintenances. Its front panel is compliant to IP54 to meet with industrial application. VMD 1000 can perfectly match with any VTC series devices via the 26-pin LVDS cable.

Specifications

LCD Panel

- 7-inch TFT LCD panel with LED backlight
- 800 x 480 pixels (WVGA)
- Brightness: 500 cd/m² (typical)
- Contrast ratio: 600:1 (typical)

Touch Screen Sensor

- 4-wire resistant touch
- Anti-glare coating surface
- Transmission rate: 82 ± 3%

Front Panel

- Control buttons x 5
 - Power on/off
 - Volume control (+/-)
 - Brightness control (+/-)
- Light sensor
- LED indicators x 2
- Built-in speakers (1W) x 2

Rear Side I/O

- 1 X SD/ MMC/ MS Card Reader
- LVDS connector (Integrating LVDS, USB x 1 and 12Vdc x 1)
- Stereo audio (Line-out) x 1 (automatic detection/ switch to external speaker)
- 1 x Mic-in
- 1 x Min-out
- 1 x Audio input
- 1 x USB
- Remote system power on/off button

Optional Features

- 2.0M pixels CCD camera on front panel
- Sunlight-readable touch screen (4 wires resistive w/ anti-glare coating)
- Support VESA mount kit

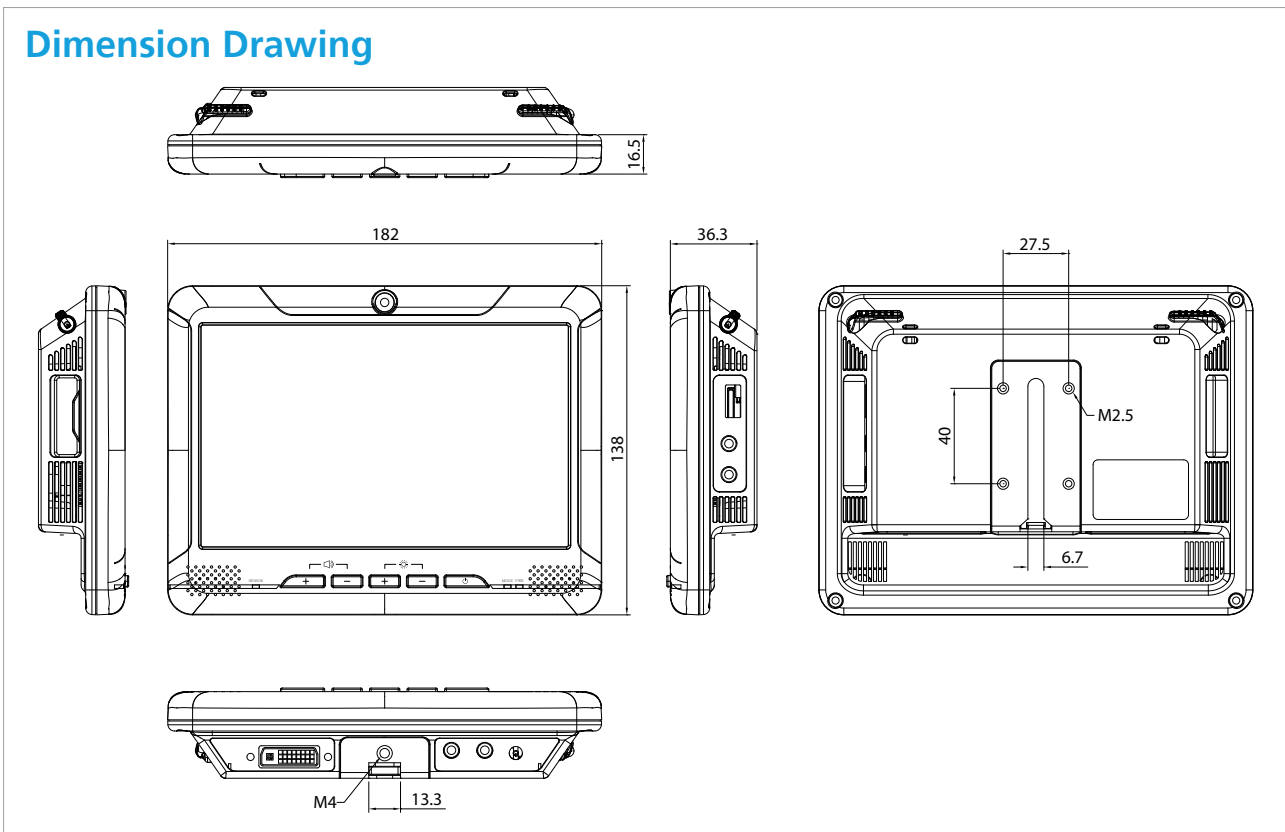
Dimensions

- 182mm (W) x 138mm (H) x 36.3mm (D)
- 0.45 Kg (0.99 Lb)

Environment

- Operating temperature: -20°C to 70°C
- Storage temperature: -30°C to 80°C

Dimension Drawing



Certifications

- CE approval
- FCC Class B

Ordering Information

- **VMD 1000-B (P/N: 10VD010000X0)**
7" WVGA vehicle mount display with touch screen and LVDS interface
- **VMD 1000-B5 (P/N: TBD)**
7" WVGA vehicle mount display with touch screen, LVDS and sunlight readable
- **VMD 1000-P (P/N: TBD)**
7" WVGA vehicle mount display with touch screen, LVDS and CCD camera
- **VMD 1000-PS (P/N: TBD)**
7" WVGA vehicle mount display with touch screen, LVDS, CCD camera and sunlight readable
- **Bundle Accessories**
LVDS cable (1.5M)
Metal stand kit
Cable fastener
CD-ROM x 1