



Features

- One 6cm System Cooling Fan
- VGA/ DVI (Optional)
- 2.5" Hard Disk Drive and CompactFlash™
- 802.11b/g WiFi (Optional)
- COM x 2, USB x 4, 8-bit Digital I/O (Optional)
- Built-in AC-in Or DC-in Power Supply
- Desktop Or Wallmount (Optional)



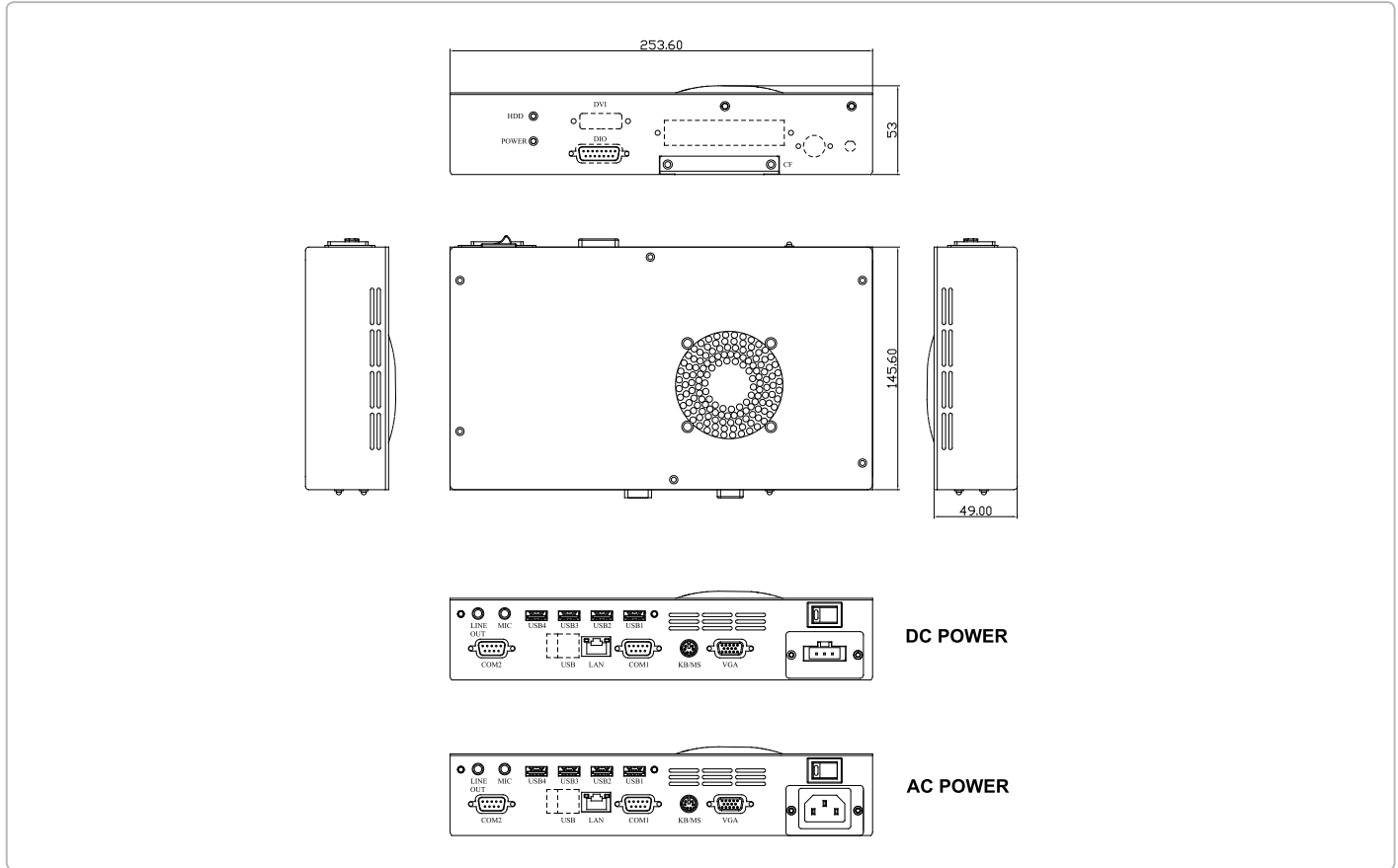
Specifications

CPU	Intel® Celeron® M (65nm) Processors 1.86 GHz/ Core™ 2 Duo/ Core™ Duo (optional)	
Chipset	Intel® 945GME + ICH7M	
System Memory	200 pin DDR2 SODIMM x 1, Max. 2 GB (DDR2 400/533/667)	
Display Interface	VGA	D-SUB 15 x 1
	DVI	DVI-I x 1 (Optional)
	Others	—
Storage Device	SSD	Type 2 CompactFlash™ Slot x 1
	HDD	2.5" SATA 1.5Gb/s Hard Disk Drive Bay x 1
Network	LAN	10/100/1000Base-TX Ethernet
	Wireless	802.11b/g WiFi (Optional)
Front I/O	USB Host	—
	LAN	—
	Serial Port	—
	DIO	8-bit Programmable x 1 (Optional)
	Audio	—
	KB/MS	—
	Others	DVI-D x 1 (Optional), WiFi Antenna (Optional)
	USB Host	USB Type A x 4
	LAN	RJ-45 x 1
	Serial Port	9-pin D-Sub x 2
Rear I/O	DIO	—
	Audio	Line-out, Mic-in
	KB/MS	PS/2 x 1
	Others	—
	Expansion	PCIe
Expansion	PCI	—
	Mini Card	—
	Mini PCI	Mini-PCI x 1 (Internal)
	Others	—
Indicator	Front	Power LED x 1, HDD LED x 1
	Rear	—
Power Requirement	For DC Type: +9V ~ +30V Input For AC Type: 100V ~ 240V Input	
Power Consumption	Core™ 2 Duo/ T7400 2.16 GHz, DDR2 667 1 GB +12V@3.89A	
System Cooling	Fan	
Mounting	Desktop or Wallmount (optional)	
Operating temperature	32°F ~ 104°F (0°C ~ 40°C)	
Storage Temperature	-40°F ~ 176°F (-40°C ~ 80°C)	
Anti-Vibration	0.5g rms/ 5 ~ 502Hz/ random operation (Internal Hard Disk Drive active Module)	
Anti-Shock	10g peak acceleration (11 msec. duration) (Hard Disk Drive Module)	
MTBF (Hours)	70,000	
Certification	EMC	CE/FCC Class A
	Safety	—
Dimension (W x H x D)	10" x 5.75" x 2.1" (254mm x 146mm x 53mm)	
Gross Weight	Heavy duty steel (1.76 kg/ 3.88 lb)	

TKS-G50-9310

Dimension

Unit: mm



Optional Accessories

- **9761G50000**
Wallmount Kit
- **9741850R00**
802.11b/g Wireless LAN Kit
- **9741G50006**
DVI Kit (For TF-TKS-G50-9310-001-DX/ DT/ AT)
- **1700250370**
DVI Cable (For TF-TKS-G50-9310 Series)
- **1701150201**
Digital I/O Cable
- **1757908401**
84 Watts Power Adapter

Ordering Information

Part Number	CPU	RAM	Cooler	Storage	Display	LAN	USB	RS-232	RS-232/422/485	KB/MS	Audio	DIO	Expansion Slot	Mounting	Power	Temp.
TF-TKS-G50-9310-002-DT	Intel® Celeron® M 1.86GHz	SODIMM	Fan	SATA x 1, CompactFlash™ x 1	CRT	GbE x 1	4	1	1	Yes	Line-out, Mic-in	8-Bit (Programmable)	1 x Mini PCI	Wallmount	+9~30V, DC/AT	0°C ~ 40°C
TF-TKS-G50-9310-002-DX	Intel® Celeron® M 1.86GHz	SODIMM	Fan	SATA x 1, CompactFlash™ x 1	CRT	GbE x 1	4	1	1	Yes	Line-out, Mic-in	8-Bit (Programmable)	1 x Mini PCI	Wallmount	+9~30V, DC/ATX	0°C ~ 40°C
TF-TKS-G50-9310-002-AT	Intel® Celeron® M 1.86GHz	SODIMM	Fan	SATA x 1, CompactFlash™ x 1	CRT	GbE x 1	4	1	1	Yes	Line-out, Mic-in	8-Bit (Programmable)	1 x Mini PCI	Wallmount	+100~240V, AC/AT	0°C ~ 40°C