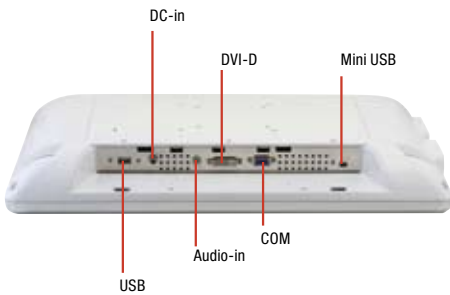
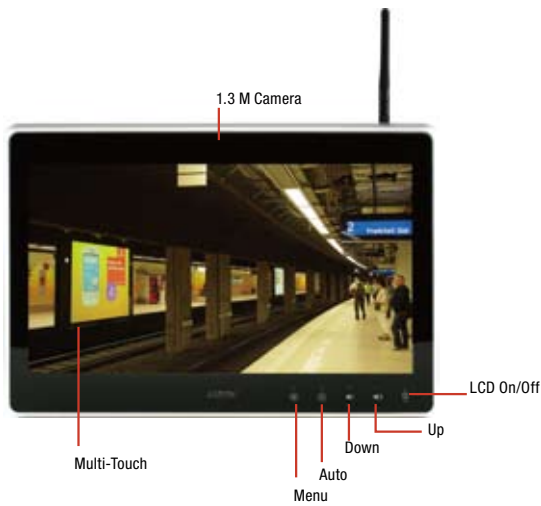


ACD-515D

15.6" WXGA Infotainment Multi-Touch Display

07

Industrial Touch Display Solutions



Features

- 15.6" WXGA (1366 x 768) Fanless TFT LCD Display
- Easy-To-Clean: Multi-Touch Window Design (Two-Point)
- IP-65 Front Bezel & IPx1 Back Chassis
- Anti-Scratch Surface (7H Hardness)
- Smart Card Reader, MSR, Camera



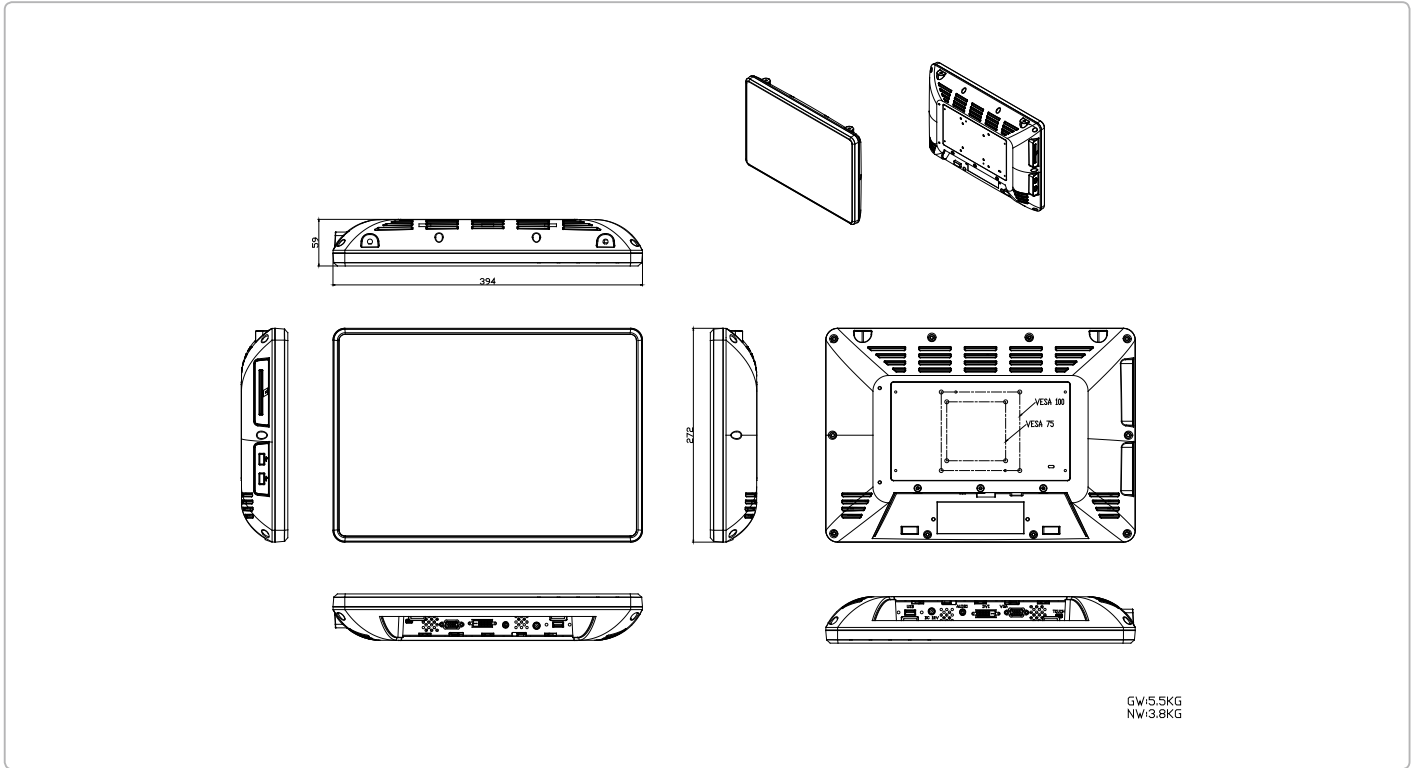
Specifications

System	
Input Signal	VGA/ DVI-D
On Screen Display Control	Menu, Auto, LCD On/Off, Up, Down
I/O Connector	USB x 3 (2 on side; 1 on rear), VGA/DVI x 1, Mini-USB x 1 (for T/S), Line-out x 1, 2W speaker x 2
OS Support	Windows® XP (T/S: Single point), Linux Fedora (T/S: Single point), Windows® 7 (T/S: Multi-point)
Mechanical	
Construction	IP-65/ NEMA4 for plastic front bezel, IPx 1 for plastic chassis
Mounting	VESA 75/100
Dimension	15.51" x 10.71" x 2.32" (394mm x 272mm x 59mm)
Carton Dimension	20.47" x 18.5" x 9.06" (520mm x 470mm x 230mm)
Gross Weight	12.1 lb (5.5 kg)
Net Weight	8.8 lb (4 kg)
Environmental	
Operating Temperature	32°F ~ 104°F (0°C ~ 40°C)
Storage Temperature	-4°F ~ 140°F (-20°C ~ 60°C)
Storage Humidity	10%~95% @ 40°C; non-condensing
Vibration	1 g rms/ 5~500Hz/ Random operation
Shock	15 G peak acceleration (11 msec. Duration)
EMC	CE/FCC Class A
Power Supply	
DC Input	DC 12V, w/ AC power adapter w/ lock (in package)
LCD	
Display Type	15.6" TFT-LCD, CCFL
Max Resolution	1366x768
Max. Colors	16.2M colors (6/8-bit for R,G,B)
Luminance	300 cd/m ²
Viewing Angle	170°(H)/160°(V)
Back Light	CCFL
Back Light MTBF (hours)	50,000
Touchscreen	
Type	Projected Capacitive Multi-Touch (Window® 7)
Light Transmission	90%

ACD-515D

Dimension

Unit: mm



Ordering Information

Part Number	Display Type	Max Resolution	Luminance	View Angle	Backlight MTBF (Hours)	Display	Mounting	Power	Temp.	Touch	Other
ACD-515DHTT-A2-1011	15.6" TFT-LCD	1366 x 768	300 cd/m ²	170(H), 160(V)	50,000	VGA x 1 DVI x 1	Panel/VESA 75/100/Wall	DC 12V	0°C ~ 40°C (w/o air)	Projective Capacitive Multi-Touch (two points)	—

Packing List

- VGA Cable
- USB Cable
- Audio Plug Cable
- AC/DC 12V Power Adapter with Lock
- CD-ROM for Manual (in PDF Format) and Drivers
- ACD-515D

Optional Accessories

- **1700151806**
VGA Cable, 180cm
- **1709051000**
Mini-USB to USB Type A for Touch Screen
- **1700091800**
DB-9, 180cm, RS-232 For Touch Screen
- **1702031802**
Power Cord (US Type)
- **1702031803**
Power Cord (European Type)
- **170203180E**
Power Cord (Japanese Type)
- **9761215303**
Wireless Module (b/g/n)
- **9761518209**
RFID Reader Kit
- **9761518200**
Smart Card Reader
- **9761518206**
MSR + Mounting Kit

If you want to install more than 2 optional accessories, you have to disable one USB port. Please check with your representative if needed.