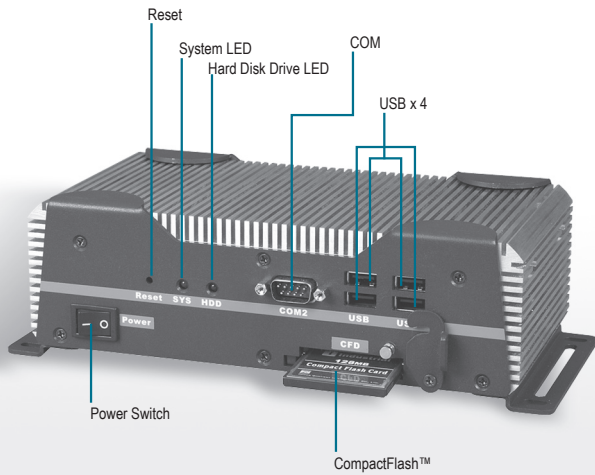


# AEC-6810

Fanless Embedded Controller with VIA Eden™ 667MHz/ C3™ 1GHz Processor

06

BOXER Series - Fanless Embedded Controller Solutions

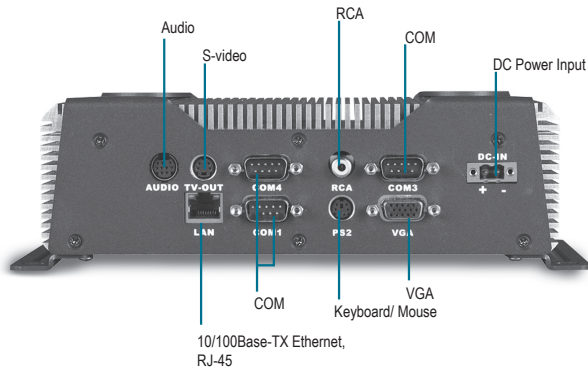


## Features

- Fanless Design with VIA Eden™ 667MHz/ C3™ 1GHz Processor
- Embedded OS Windows® CE .Net Porting
- Supports CompactFlash™ Memory and Optional Hard Disk Drive Module
- DIN Rail or Wallmount Design for Simple Installation
- 10/100Base-TX Ethernet x 1, COM x 4, USB x 4, TV-out x 1, Audio x 1
- AT Power Function



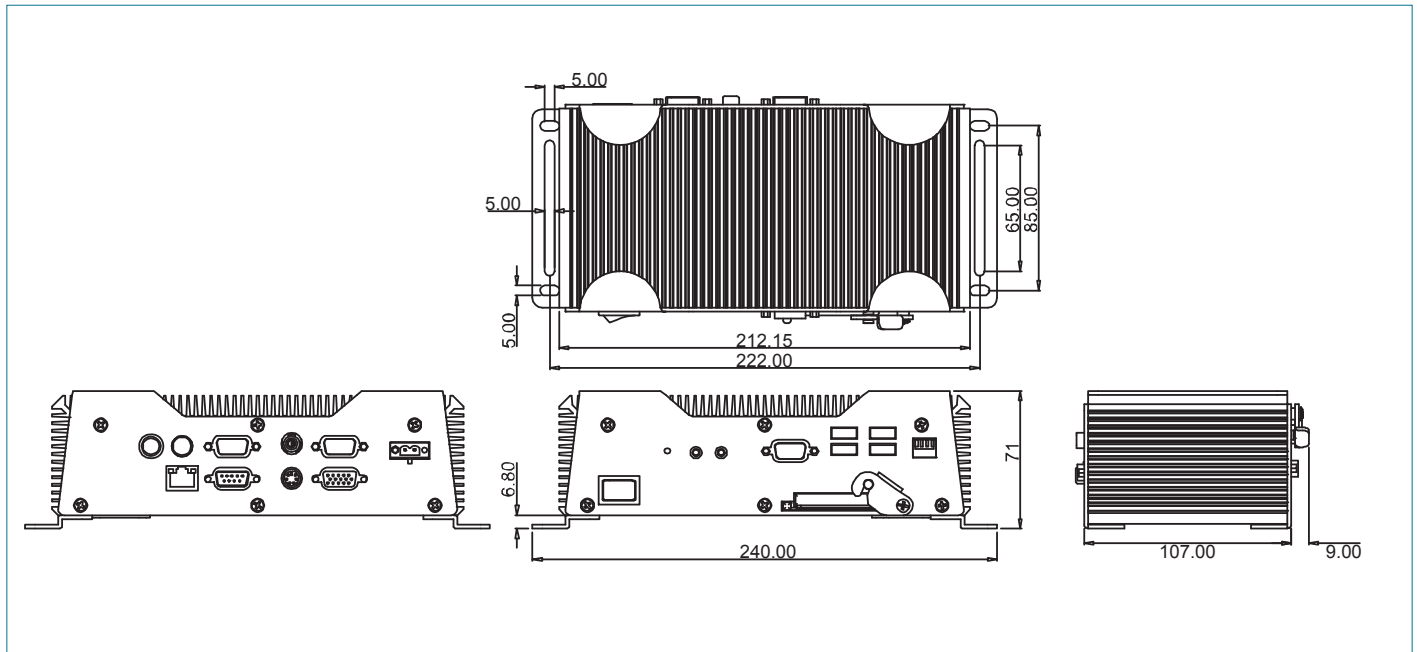
## Specifications



System		
Processor	VIA Eden™ 667MHz/ C3™ 1 GHz CPU	
Memory (Optional)	144-pin SDRAM SODIMM x 1, Max. 512MB (Optional)	
VGA/ Keyboard/ Mouse	DB-15 VGA, PS/2 Keyboard & Mouse x 1	
Ethernet	10/100Base-TX Ethernet, RJ-45 x 1	
SSD	Type II CompactFlash™ x 1	
Hard Disk Storage	Optional 2.5" Slim Hard Disk Drive Module	
COM	RS-232 x 3, RS-232/422/485 x 1	
Audio	Mic-in/ Line-in/ Line-out, by extension cable	
USB	USB 1.1 x 4	
TV-out	S-video and RCA output	
System Control	Power on/ off switch x 1, Reset button x 1	
LED Indicator	Power LED x1, Hard Disk Drive active LED x 1	
Watchdog Timer	Generates a time-out system reset, setting via software	
Power Supply	1. DC Input	Internal DC-DC Converter (Standard) Input voltage: 9V DC ~ 30V DC
	2. AC Input	External Power Adapter (Optional) Input voltage: 100V AC ~ 240V AC @ 50 ~ 60Hz Output rating: 36W (+12V@3A)
Power Consumption	VIA C3™ 1GHz 2.37A@9V	
MTBF (Hours)	60,000	
OS Support	Windows® CE .NET 4.2, Windows® XP Embedded, Windows® XP, Windows® 2000	
Mechanical		
Construction	Rugged Aluminum Alloy chassis	
Color	Dark Blue	
Mounting	Wallmount (Default), DIN Rail	
Dimension	8.4" (W) x 2.5" (H) x 4.2" (D) (212mm x 64mm x 107mm)	
Carton Dimension	12" (W) x 7.87" (H) x 9.4" (D) (305mm x 200mm x 240mm)	
Net Weight	4.75 lb (2.16 kg)	
Gross Weight	8.36 lb (3.8 kg)	
Environmental		
Operating Temperature	5°F ~ 140°F (-15°C ~ 60°C) — 667MHz (CompactFlash™)	
	32°F ~ 122°F (0°C ~ 50°C) — 667MHz (Hard Disk Drive)	
Storage Temperature	5°F ~ 113°F (-15°C ~ 45°C) — 1GHz (CompactFlash™)	
	32°F ~ 104°F (0°C ~ 40°C) — 1GHz (Hard Disk Drive)	
Storage Humidity	-4°F ~ 158°F (-20°C ~ 70°C) — (CompactFlash™)	
	-4°F ~ 140°F (-20°C ~ 60°C) — (Hard Disk Drive)	
Vibration	5 g rms/ 5 ~ 500Hz/ random operation (CompactFlash™) 1 g rms/ 5 ~ 500Hz/ random operation (Hard Disk Drive)	
Shock	100g peak acceleration (11 msec. duration) (CompactFlash™)	
	15g peak acceleration (11 msec. duration) (Hard Disk Drive)	
EMC	CE/ FCC class A	
	UL (Supports 9~18V DC input Only)	

# AEC-6810

Dimension Unit: mm



## Ordering Information

- **TF-AEC-6810-A1**  
Fanless Embedded Controller with VIA Eden™ 667MHz CPU
- **TF-AEC-6810-A2**  
Fanless Embedded Controller with VIA C3™ 1GHz CPU

## Optional Accessories

- **9741681001**  
Hard Disk Drive Kit
- **9741681002**  
AC Input Adapter Kit (36W), Input: AC 90 ~ 264V; Output: DC 12V
- **9741681003**  
DIN Rail Kit
- **9741681004**  
Ultra Cooling Kit
- **9741666643**  
1.8 g rms Vibration Protection Hard Disk Drive Kit for Vehicle
- **9681681000**  
USB to Parallel Port Adapter Kit
- **9789666605**  
USB to 4 COMs Converter
- **9789666606**  
USB to 2 COMs Converter
- **9741681006**  
Easy I/O Display Kit
- **9741681008**  
Slim CD-ROM + 2.5" Hard Disk Drive Kit
- **9783204012**  
Automotive Hard Disk Drive 40G