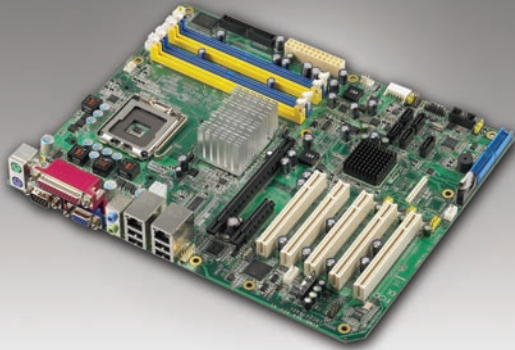


# AIMB-764

**LGA 775 Core 2 Duo/Pentium® D/  
Pentium 4/Celeron® D Processor-based  
ATX with DDR2/PCIe/Dual GbE LAN**

**NEW**



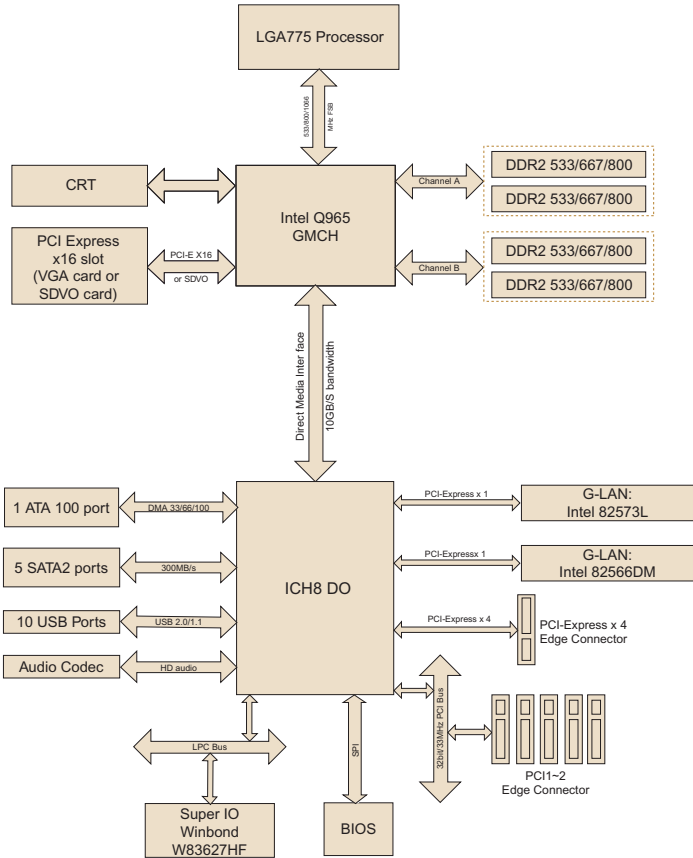
## Features

- Intel® Q965 533/800/1066 MHz FSB
- Supports Intel Core 2 Duo processor
- Dual channel DDR2 533/667/800 SDRAM up to 8GB
- Chipset integrated VGA sharing 256MB system memory
- PCIe x16 slot for VGA card
- Five SATA II ports with 300 MB transfer rate
- supports SATA RAID 0, 1, 5 and 10.
- Supports Dual 10/100/1000Base-T Ethernet via dedicated PCIe x1 bus

## Specifications

Processor System	CPU (65nm/ 90nm)	Intel® Core™ 2 Duo	Pentium® D	Pentium® 4	Celeron® D
	Max. Speed	2.66 GHz	3.6 GHz (Dual-core)	3.8 GHz	3.06 GHz
	L2 Cache	4 MB	2 MB x 2	2 MB/1 MB	512KB
	Chipset	Intel Q965+ICH8D0			
	BIOS	Award 16Mbit SPI			
	Front Side Bus	533/800/1066 MHz			
Expansion Slot	PCIe x16	4.0 GB/s per direction, 1 slot			
	PCIe x4	1 GB/s per direction, 1 slot			
	PCI	32-bit/33MHz, 5 slots			
Memory	Technology	Dual channel DDR2 533/667/800 MHz			
	Max. Capacity	8 GB			
	Socket	240-pin DIMM x 4			
Graphic	Embedded	Chipset integrated VGA controller sharing 256 MB system memory			
	Add-on	PCIe x16 slot			
Ethernet	Interface	10/100/1000 Base-T			
	Controller	G-LAN: Intel 82573L, 82566DM			
	Connector	RJ45 with LED connector x 2			
SATA II	Max. Data Transfer Rate	300 MB/s			
	Channel	5			
EIDE	Mode	ATA 100/66/33			
	Channel	1 (Max. 1 devices)			
I/O Interface	VGA	1			
	USB	Max. 10 (USB 2.0 compliant), 4 ports on board			
	Audio	2 (MIC-In, Line-Out)			
	Serial	2 (COM2 for RS232/422/485)			
	Parallel	1 (SPP/EPP/ECP)			
	FDD	1			
	PS/2	2			
Watchdog Timer	None				
Power Requirement	Typical	Intel Core 2 Duo 2.13 GHz and four 1 GB DDR2 667Mhz SDRAM			
		+12 V 10A	+5 V 4.5A	+3.3 V 4A	5 Vsb 1A
Environment		Operating			Non-Operating
	Temperature	0-55° C (32 ~ 131° F), depends on CPU's speed and cooler solution			-20 ~ 70° C (-4 ~ 158° F)
Physical Characteristics	Dimensions (W x D)	304.8 x 244 mm (12" x 9.6")			

### Block Diagram



### Ordering Information

Part Number	VGA	Gigabit LAN
AIMB-764G2-00A1E	Yes	Dual

\*\*We strongly suggest to use only Advantech's certified LGA 775 CPU coolers to ensure board reliability under harsh environments

### Bracket View



AIMB-764G2-00A1E

### Riser Card

Part Number	Description
AIMB-R430P-03A1E	2U riser card with 3 PCI slot expansion
AIMB-R4301-03A1E	2U riser card with 3 PCIe x 1 slot expansion
AIMB-R4104-01A1E	1U riser card with 1 PCIe x 4 slot expansion

### Packing List

Part Number	Description	Quantity
1700340640	FDD cable	x 1
1701400452	IDE HDD cable	x 1
1700003194	Serial ATA HDD data cable	x 2
1703150102	Serial ATA HDD power cable	x 2
1701090401	COM port cable kit	x 1
9689000068	Jumper pack	x 1
1962015680	I/O port bracket	x 1
-	Startup manual	x 1
-	Utility CD	x 1

### Accessories

Part Number	Description
1750001661	LGA 775 CPU Cooler for 2U chassis (supports Core 2 Duo, Pentium 4 max. 3.4 GHz, and Celeron D processors)
1750000334	LGA 775 CPU Cooler for 4U+ chassis (supports Core 2 Duo, Pentium 4 and Celeron D processor)
1700002314	USB cable with four ports, 30.5cm
1700002204	USB cable with dual ports, 27cm
1700003195	USB cable with dual ports, 17.5cm