

Modular System Industrial Workstation



AMB-2427HT/AMB-2457HT



AMB-2427HT
12.1" Flat Panel +
ACS-2307 Control Box



AMB-2457HT
15" Flat Panel +
ACS-2307 Control Box



ACS-2307 Control box
7-Slot PICMG backplane with
3 x PCI, 3 x ISA, 1 x PICMG slots



- | | |
|-----------------------------------|--|
| 1. AC power outlet | 6. Finger mouse |
| 2. AC power inlet | 7. PS/2 keyboard connector |
| 3. Power On/Off | 8. 59 Data-entry & 20/24 function keys |
| 4. CD-ROM & floppy drive included | 9. Digital brightness controller |
| 5. Lockable front-panel door | |

Introduction

The AMB-2427HT & AMB-2457HT modular system Industrial Workstation PC is a PC-based industrial computer designed to serve in any configured environment. It has a compact bare-bone PC-based system that can be configured with different levels of full size CPU cards, 12.1" SVGA / 15" XGA color TFT hi-brightness and long lifetime LCD Display via a 50-pin cable. It has a heavy duty steel chassis with a sealed aluminum front panel that meets EIA-RS310C standards. The AMB-2427HT & AMB-2457HT also has disk drive housing for a slim size CD-ROM, 3.5" FDD, and HDD.

AMB-2427HT Features

- 12.1" SVGA color TFT LCD display
- Aluminum alloy front panel and heavy-duty steel chassis
- Water-proof front panel meets NEMA 4/12 & IP65
- All-in-one FC-PGA Socket 370 SBC
- Memory up to 768MB
- Disk drive bay for slim CD-ROM, 3.5" FDD, and HDD
- Membrane keypad and finger mouse
- 3 x PCI, 3 x ISA, 1 x PICMG backplane
- Resistive touchscreen (optional)

AMB-2427HT Specifications

(12.1" Flat Panel + ACS-2307 Control Box)

- **Construction:** Heavy-duty steel chassis & NEMA 4/12 aluminum alloy front panel.
- **Display:** 12.1" SVGA (800 x 600) color TFT LCD
- **CPU:** Supports Celeron 366MHz, up to PIII 1.0GHz (FSB 66/100 MHz)
- **Memory:** Supports up to 768MB
- **LCD/CRT controller:** C&T 69000/69030 VGA controller with 2MB SDRAM embedded. CRT & LCD panel support.
- **Network (LAN):** Realtek RTL8139 Family 10/100 Base-TX Ethernet controller
- **I/O ports:**
 - 2 serial ports: 1 x RS-232, 1 x RS-232/422/485 (jumper select)
 - 1 parallel port (supports ECP/EPP)
 - 1 PS/2 keyboard interface
- **Disk Drive Housing:**
 - Slim 24x CD-ROM, 1.44M FDD, and 3.5" HDD
- **USB connector:** Dual USB pin header
- **Expansion Slots:** 3 x PCI, 3 x ISA, 1 x PICMG slots
- **Front panel color:** RAL-7035 (white)
- **Mounting:** Rack mount, 7U height
- **Power supply:**
 - Universal 250W switching power supply
- **Dimension (W x H x D):**
 - 483 x 246 x 310mm (19" x 9.7" x 12.2")
- **Carton Dimension (W x H x D):**
 - 615 x 385 x 457mm (24.2" x 15.1" x 17.9")
- **Gross Weight:** 22.9 kg (50.5 lbs)

AMB-2457HT Features

- 15" XGA color TFT LCD display
- Aluminum alloy front panel and heavy-duty steel chassis
- Water-proof front panel meets NEMA 4/12 & IP65
- All-in-one FC-PGA Socket 370 SBC
- Memory up to 768MB
- Disk drive bay for slim CD-ROM, 3.5" FDD, and HDD
- Membrane keypad and finger mouse
- 3 x PCI, 3 x ISA, 1 x PICMG backplane
- Resistive touchscreen (optional)

AMB-2457HT Specifications

(15" Flat Panel + ACS-2307 Control Box)

- **Construction:** Heavy-duty steel chassis & NEMA 4/12 aluminum alloy front panel.
- **Display:** 15" XGA (1024 x 768) color TFT LCD
- **CPU:** Supports Celeron 366MHz, up to PIII 1.0GHz (FSB 66/100 MHz)
- **Memory:** Supports up to 768MB
- **LCD/CRT controller:** C&T 69000/69030 VGA controller with 2MB SDRAM embedded. CRT & LCD panel support
- **Network (LAN) :** Realtek RTL8139 Family 10/100 Base-TX Ethernet controller
- **I/O ports:**
 - 2serial ports: 1 x RS-232, 1 x RS-232/422/485 (jumper select)
 - 1 parallel port (supports ECP/EPP)
 - 1 PS/2 keyboard interface
- **Disk Drive Housing:**
 - Slim 24x CD-ROM, 1.44M FDD, and 3.5" HDD
- **USB connector:** Dual USB pin header
- **Expansion Slots:** 3 x PCI, 3 x ISA, 1 x PICMG slots
- **Front panel color:** RAL-7035 (white)
- **Mounting:** Rack mount, 8U height
- **Power supply:**
 - Universal 250W switching power supply
- **Dimension (W x H x D):**
 - 483 x 355 x 246mm (19" x 14" x 9.7")
- **Carton Dimension (W x H x D):**
 - 620 x 385 x 513mm (24.4" x 15.1" x 20.2")
- **Gross Weight:** 25.5 Kg (56.2 lbs)

Power Supply

- **Input Voltage:** 90~265V AC @47~63Hz, switching
- **Output Voltage:**
+5V@24A, +12V@12A, -12V@1A, -5V@1A
- **MTBF** > 120,000Hrs per MIL—Handbook 217F
- **Safety:** UL, CSA, TUV approved

24V DC input 250W (Optional)

- **Input Voltage:** 19~32V DC
- **Output Voltage:**
+5V@25A, +12V@10A, -5V@1A, -12V@1A
- **MTBF**> 150,000Hrs per MIL—Handbook 217F
- **Safety:** UL, CSA, TUV approved

Environmental Specifications

- **Operating temperature:** 0° to 45°C (32~113°F)
- **Storage temperature:** -20° to 60°C (-4~140°F)
- **Storage humidity:**
10 to 95%@40°C, non-condensing
- **Vibration:**
1G / 5 ~ 500Hz / operation
- **Shock:** 50G, peak acceleration (20 msec. duration)
- **EMI:** FCC/ CE Class A

LCD Specification

Model	AMB-2427HT	AMB-2457HT
Display type	12.1" color TFT LCD	15" color TFT LCD
Max. Resolution	800 x 600	1024 x 768
Max. Colors	256K	256K
Dot size (mm)	0.3075 x 0.3075	0.297 x 0.297
Luminance (cd/m ²)	250	250
Viewing angle	120° (H) 90° (V)	160° (H) 160° (V)
Temperature	0 ~ 50°C (32~122°F)	0 ~ 50°C (32~122°F)
Brightness Control	Digital	Digital
LCD MTBF (Hrs)	50,000	50,000
Back Light MTBF (Hrs)	25,000	50,000

Touchscreen (optional)

- Type:** 8-wire, analog resistive
- Resolution:** 1024 x 1024
- Light transmission:** >68%(AMB-2457), >75%(AMB-2427)
- Lifetime:** 1 million activations
- Operating pressure:** 90g average for finger, 70g average with non-metal stylus(AMB-2457), 50g average for finger, 25g average with non-metal stylus(AMB-2427)
- Controller:** RS-232 interface
- OS support:** MS DOS, Windows 3.1, Windows 95, Windows 98, Windows ME, Windows NT, Windows 2000

Ordering Information

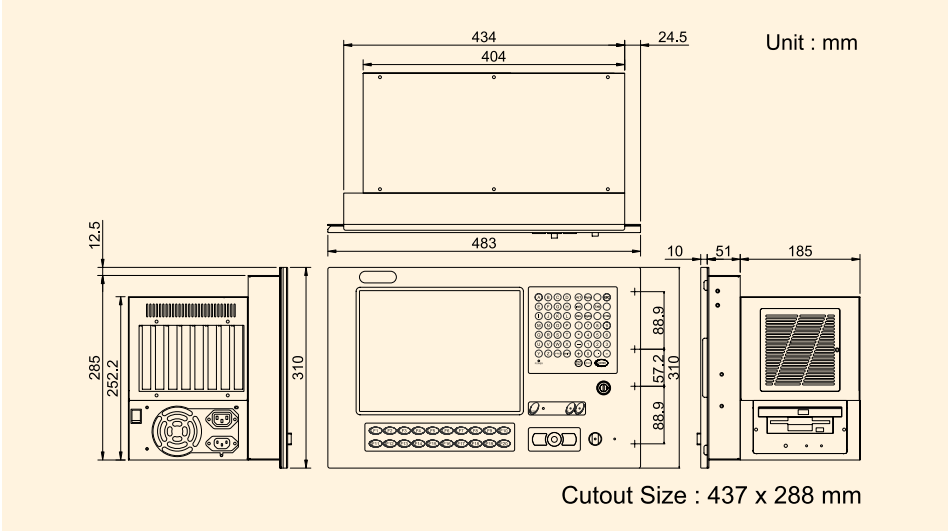
- **AMB-2427HT**
Modular System Industrial Workstation, ACS-2307 control box with 12.1" color TFT LCD display
- **AMB-2427HTT**
AMB-2427HT + touchscreen (RS-232 interface)
- **AMB-2457HT**
Modular System Industrial Workstation, ACS-2307 control box with 15" color TFT LCD display
- **AMB-2457HTT**
AMB-2457HT + touchscreen (RS-232 interface)
- **ACS-2307**
7-Slot backplane chassis with 250W power supply, MBC-6210/MBC-140 (FC Socket 370 SBC with VGA and LAN)
- **Optional**
 - CPU
 - RAM
 - 3.5" HDD
 - 250W DC 24V power supply

Disassemble front Panel from control box for easy installation and maintenance

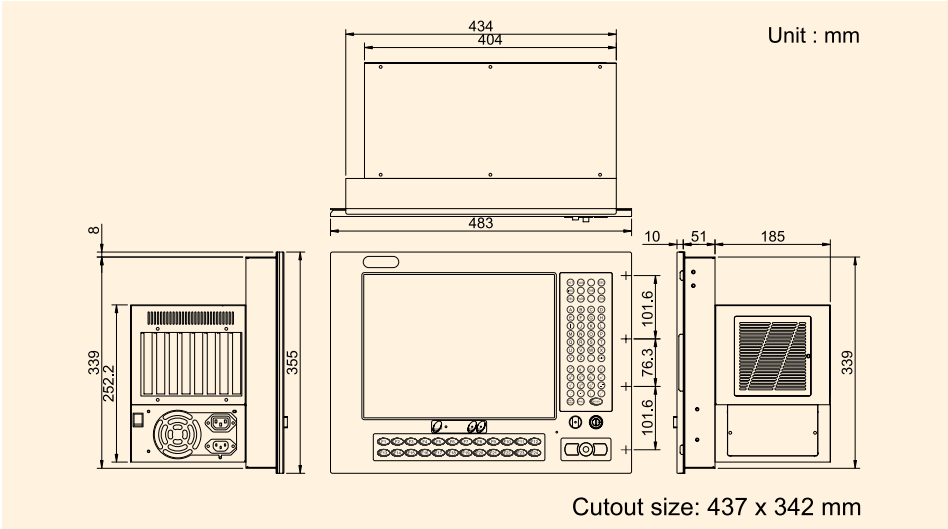


AMB-2427/AMB-2457 series

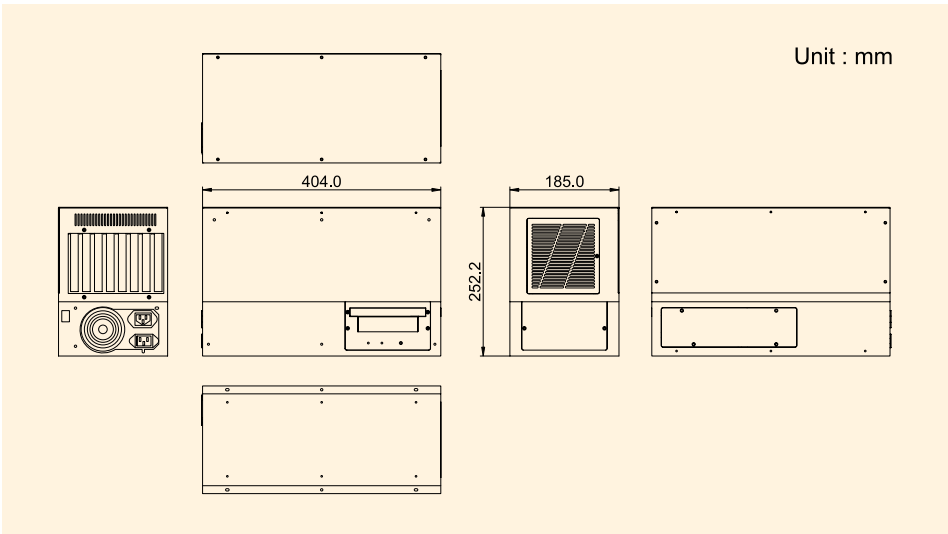
Dimension



AMB-2427HT



AMB-2457HT



ACS-2307