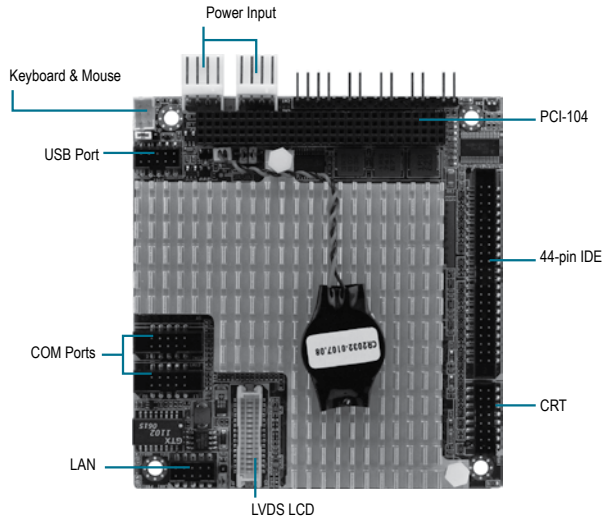


# PFM-800P

## Intel® Ultra Low Voltage Celeron® M Processor

05

PC/104 CPU Modules



### Features

- Intel® ULV Celeron® M 600MHz/ 1GHz
- DDR 266 SODIMM Memory Up to 1GB
- 24/48-bit Dual-channel LVDS TFT LCD (Emulated)
- 10/100 Base-TX Ethernet x 1
- ATA33 and CompactFlash™ Storage
- USB 2.0 x 2/ Serial Port x 2
- PCI-104 Socket



### Specifications

System	
Form Factor	PC/104
Processor	Onboard Intel® Ultra Low Voltage Celeron® M 600 MHz/ 1GHz Processor
System Memory	200-pin DDR 266 SODIMM x 1, Max. 1GB
Chipset	Intel® 852GM + Intel® 82801DB (ICH4)
Ethernet	Intel® 82562ET, 10/100Base-TX
BIOS	AWARD 1MB FLASH ROM
Watchdog Timer	Generates a time-out system reset
H/W Status Monitoring	Supports power supply voltages and temperature monitoring
Expansion Interface	PCI-104 Interface
Battery	Lithium battery
Power Requirement	+5V, +12V/AT
Power Consumption (Typical)	Intel® Celeron® M 1.0GHz, DDR 266 1GB +12V@0.27A, +5V@3.02A
Board Size	3.55" (L) x 3.77" (W) (90 mm x 96 mm)
Gross Weight	0.33 lb (0.15 kg)
Operating Temperature	32°F ~ 140°F (0°C ~ 60°C) for fanless heatsink
Storage Temperature	-40°F ~ 176°F (-40°C ~ 80°C)
Operating Humidity	0% ~ 90% relative humidity, non-condensing
MTBF (Hours)	100,000
Display	
	Supports CRT/ LCD simultaneous display
Chipset	Intel® 852GM
Memory	Shared system memory up to 32MB
Resolutions	Up to 1280x1024@24bpp colors for CRT Up to 1280x1024@18bpp colors for LCD
LCD Interface	24/48-bit LVDS TFT LCD (Emulated 24/48-bit LVDS)
I/O	
Storage	EIDE x 1 (UDMA 33), Type I CompactFlash™ x 1
Serial Port	RS-232 x 1, RS-232/422/485 x 1
USB	USB2.0 x 2
PS/2 Port	Keyboard + Mouse x 1

### Packing List

- **9681800P00**  
(TF) Cable Kit
  - 1701100207 RS-232 Cable x 2
  - 1701440500 44-pin IDE Cable x 1
  - 1700060152 Keyboard & Mouse Cable x 1
  - 1700100200 LAN Cable x 1
  - 1709100201 USB Cable x 1
  - 1701160201 VGA Cable x 1
- **Quick Installation Guide**
- **Utility CD**
- **PFM-800P**

### Ordering Information

- **TF-PFM-800P-A10**  
PC/104 Board, Intel® Celeron® M 600MHz/ 1GHz, DDR, LAN, 2 COM, 2 USB, CompactFlash™, AT, Rev A1.0

### Optional Accessories

- **PFM-T800**  
PCI/ PC/104 Bridge & COM & USB Module
- **PER-P11D (Coming Soon- 2008 Q2)**  
Power module