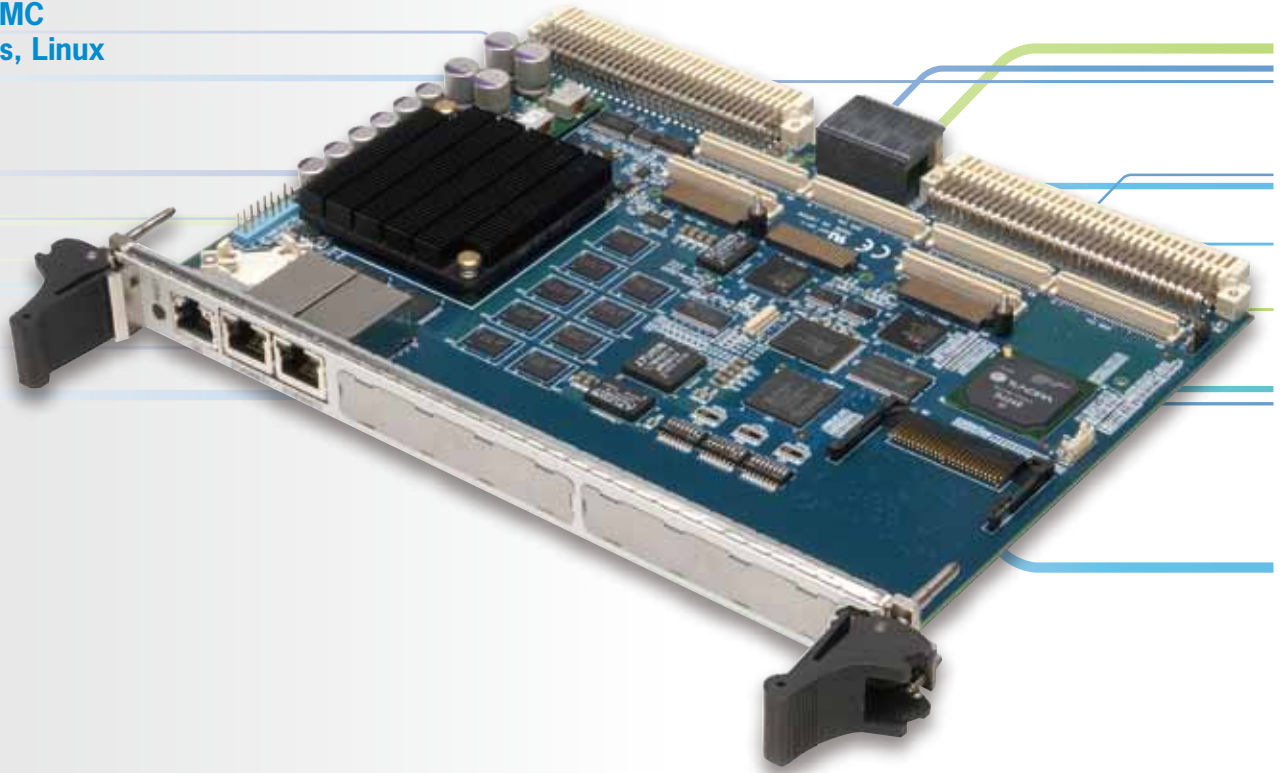


# Advme7516

## Freescle Dual Core Processor MPC8572E VMEbus CPU Board

- Freescle e500 Dual Core Processor MPC8572E (1.5GHz)
- DDR2-667 SDRAM 1GB/2GB ECC support
- 2ch Gigabit Ethernet
- 2 slot PMC
- 2 slot XMC
- VxWorks, Linux



### FEATURES

- Freescle e500 Dual Core Processor MPC8572E
- CPU clock 1.5GHz
- Main memory 1GB/2GB ECC support
- VME64x bus bridge supporting Tsi148 2eSST
- 2ch Gigabit Ethernet
- 1ch RS-232C serial port
- 2 slot PMC
- 2 slot XMC
- 6U VME form factor
- RoHS Compliant
- Support OS: VxWorks, Linux

The Advme7516 is a VME bus board based on Freescle Dual-Core MPC8572E processor.

The Advme7516 is equipped with DDR2-667 SDRAM of 1GB (2GB also available at option) supporting ECC.

It offers I/O such as a RS-232C serial port, two Gigabit Ethernet ports, one CompactFlash slot and two PMC/XMC slots.

The PMC supports PCI 32/33. The XMC supports 4 lanes of PCI Express Gen1 or 4 lanes of serial RapidIO Gen1.

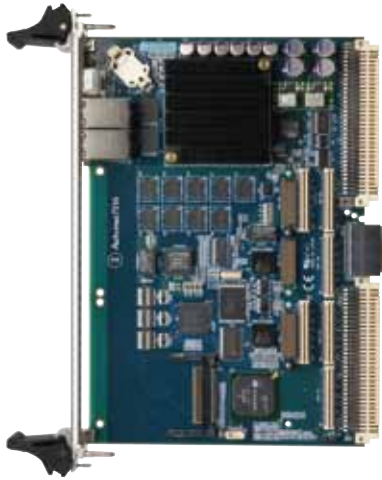
The VME bus supports standards such as VME64, VME64x (VME64 Extensions) and 2eSST.



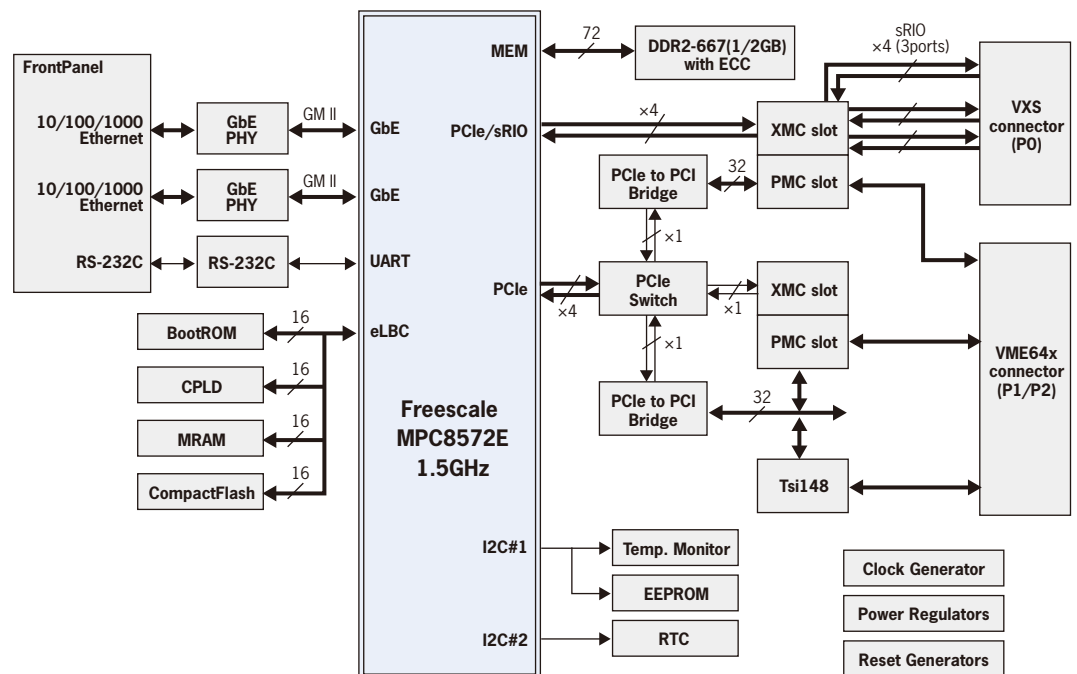
### Freescale Dual Core Processor MPC8572E VMEbus CPU Board

#### Specifications

CPU	Processor	Freescale MPC8572E 1.5GHz
	L1 cache	32kB for Data and 32kB for Instruction
	L2 cache	1MB
Memory	Main Memory	DDR2 SDRAM ECC support (1GB or 2GB)
	Boot ROM	64MB Flash memory
	Serial EEPROM	4kb
	MRAM	512kB
Front Panel I/O	Ethernet	10/100/1000 BASE-T x2
	Serial Port	RS-232C serial port x1
On-board I/O	CF socket	1 slot (type 1)
	RTC	Connected to I2C, with Battery backup
	WDT	Implemented in CPLD
	PMC	2slot 32bit 33MHz 3.3V
	XMC	2slot, x4 PCIe (One is x1 and the another is x4)
VMEbus	Standard	VME64x 2eSST Tsi148
	Bus width	A64/A32/A24/A16 MD32/D32/D16/D08(E0)
Power Supply		DC5V / DC±12V (used in PMC only)
Form Factor		6U size, Single slot width
Environmental	RoHS	Compliant
	CE Marking	Compliant



#### Block Diagram



Note: The information in this document is subject to change without notice and should not be construed as a commitment by EUROTECH. While reasonable precautions have been taken, EUROTECH assumes no responsibility for any error that may appear in this document. All trademarks or registered trademarks are the properties of their respective companies.