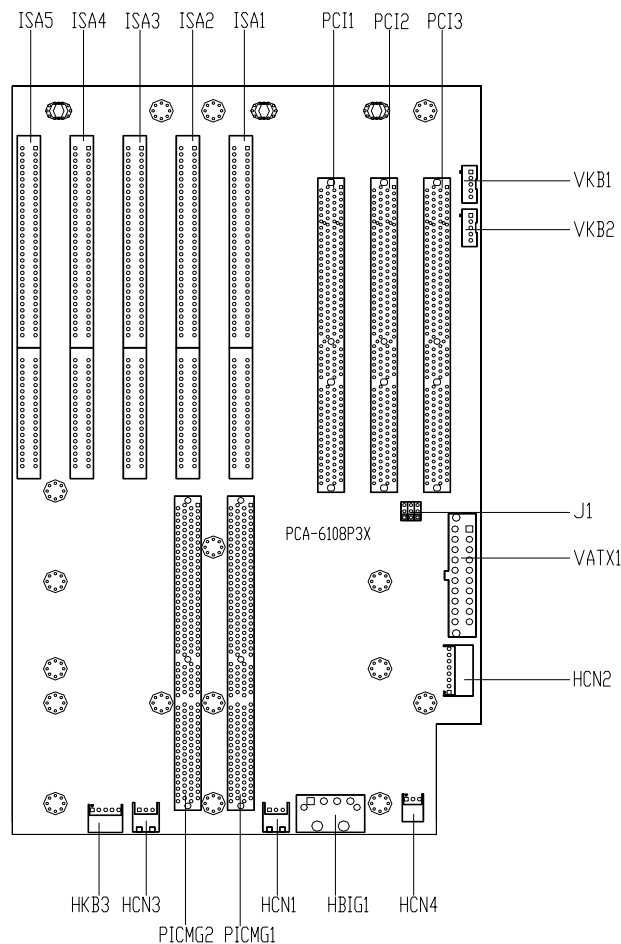


PCA-6108P3X Rev.A1:

8 Slot 64 bit backplane, 3 ISA,3 PCI,2 PICMG Rev.A1

1. Connectors

Connector	Description
ISA1~ISA2	PICMG connector
ISA3~ISA5	16 Bit ISA Bus connector
PCI1~PCI3	64 bit PCI slot (Primary PCI Group)
PICMG1~PICMG2	PICMG connector
VKB1	KB-In from CPU card K/B connector
VKB2	KB-Out, 5 pin external K/B connector
HKB3	KB-Out, 5 pin external K/B connector
HBIG1	Big 4 Pin (5V,12V) Power connector
VATX1	Main ATX power connector supply +3.3V,±5V,±12V,5VSB power
HCN1	PS-ON Function, to CPU card for ATX Power signal, 3 pin connector
HCN2	8 pin Alarm Board Power connector
HCN3	3 pin +5V and +12V Power connector
HCN4	3 pin +12V DC Fan connector (reserved)
J1	VIO 5V/3.3V selector



PN:200K610870

2. Connector Pin Definition

VKB1~VKB2,HKB3	
Pin	Name
1	KB_CLK
2	KB_DATA
3	NC
4	KB_GND
5	KB_VCC

HBIG1	
Pin	Name
1	+12V
2	GND
3	GND
4	VCC

HCN4(Optional)	
Pin	Name
1	GND
2	+12V
3	NC

HCN1	
Pin	Name
1	PS-ON
2	GND
3	5VSB

HCN2	
Pin	Name
1	5VSB
2	GND
3	GND
4	-5V
5	+5V
6	+3.3V
7	-12V
8	+12V



HCN3	
Pin	Name
1	+12V
2	GND
3	VCC

VATX1	
Pin	Name
1	+3.3V
2	+3.3V
3	GND
4	+5V
5	GND
6	+5V
7	GND
8	NC
9	5VSB
10	+12V
11	+3.3V
12	-12V
13	GND
14	PS-ON
15	GND
16	GND
17	GND
18	-5V
19	+5V
20	+5V

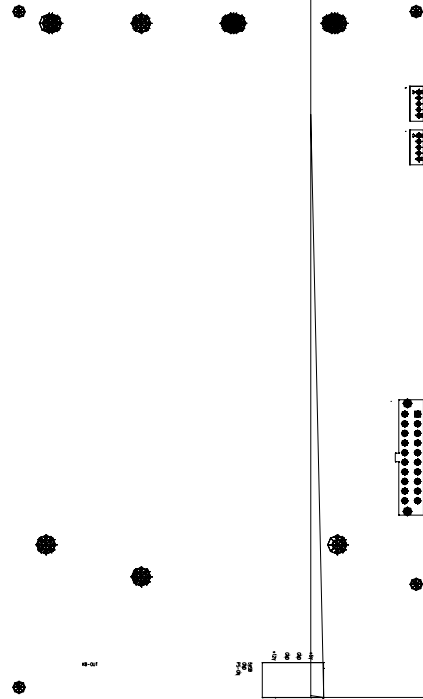
3.PCI Routing Table

PCI Slot	IDSEL	PCI interrupt pin route			
		INTA	INTB	INTC	INTD
PCI1	AD30	INTC	INTD	INTA	INTB
PCI2	AD29	INTD	INTA	INTB	INTC
PCI3	AD28	INTA	INTB	INTC	INTD

4.Jumper setting table

Jumper setting	PCI slots voltage
	VIO set to +3.3V(Default)
	VIO set to +5V

5. Mechanical Dimension



6. Note

* Support for 3.3V PCI card when ATX power supply is used.