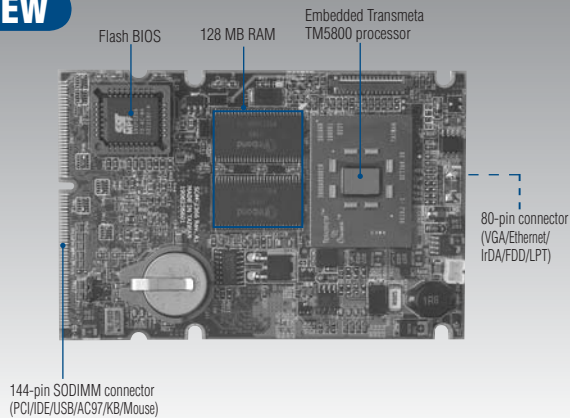


SOM-2366

Transmeta SOM-144 Module w/CPU,
128 MB RAM, Audio & LAN

NEW



Specifications

- **CPU** On-board Transmeta TM5800-800 processor
 - **System Memory** 128 MB SDRAM on-board
 - **BIOS** Award 2 Mbit Flash BIOS
 - **Extending BUS I/F** 144-pin SODIMM socket provides PCI
 - **Battery** Lithium 3 V/196 mA
- I/O**
- **MIO** 1 x EIDE, 1 x FDD/LPT, 1 x K/B, 1 x Mouse, 2 x RS-232
 - **USB** 2 USB ports, USB 1.1 compliant
 - **IrDA** 115 Kbps Serial infrared (SIR) port
 - **Audio** AC'97

Features

- Transmeta TM5800 on board (800 MHz)
- 128 MB SDRAM on board
- USB & AC'97
- Two RS-232, IDE, LPT, FDD

Ethernet

- **Chipset** RTL8139C (optional Intel® 82551ER)
- **Interface** IEEE 802.3u 100BASE-T Fast Ethernet compatible

Mechanical and Environmental

- **Dimensions (L x W)** 68 x 100 mm (3.4" x 3.9")
- **Power supply Voltage** +5 V ± 5%
Max: 5 V @ 3 A
Typical: 5 V @ 1.5 A
- **Operating temperature** 0 ~ 60° C (32~140° F)
- **Operating Humidity** 0% ~ 90% Relative Humidity, noncondensing
- **Weight** 0.05 kg (0.11lb)

1

System on Module Solutions

2

Single Board Computers and Accessories

3

PC/104 Modules

4

Slot CPU Cards and Accessories

5

AIMB/POS Control Boards

6

Internet Security Platforms

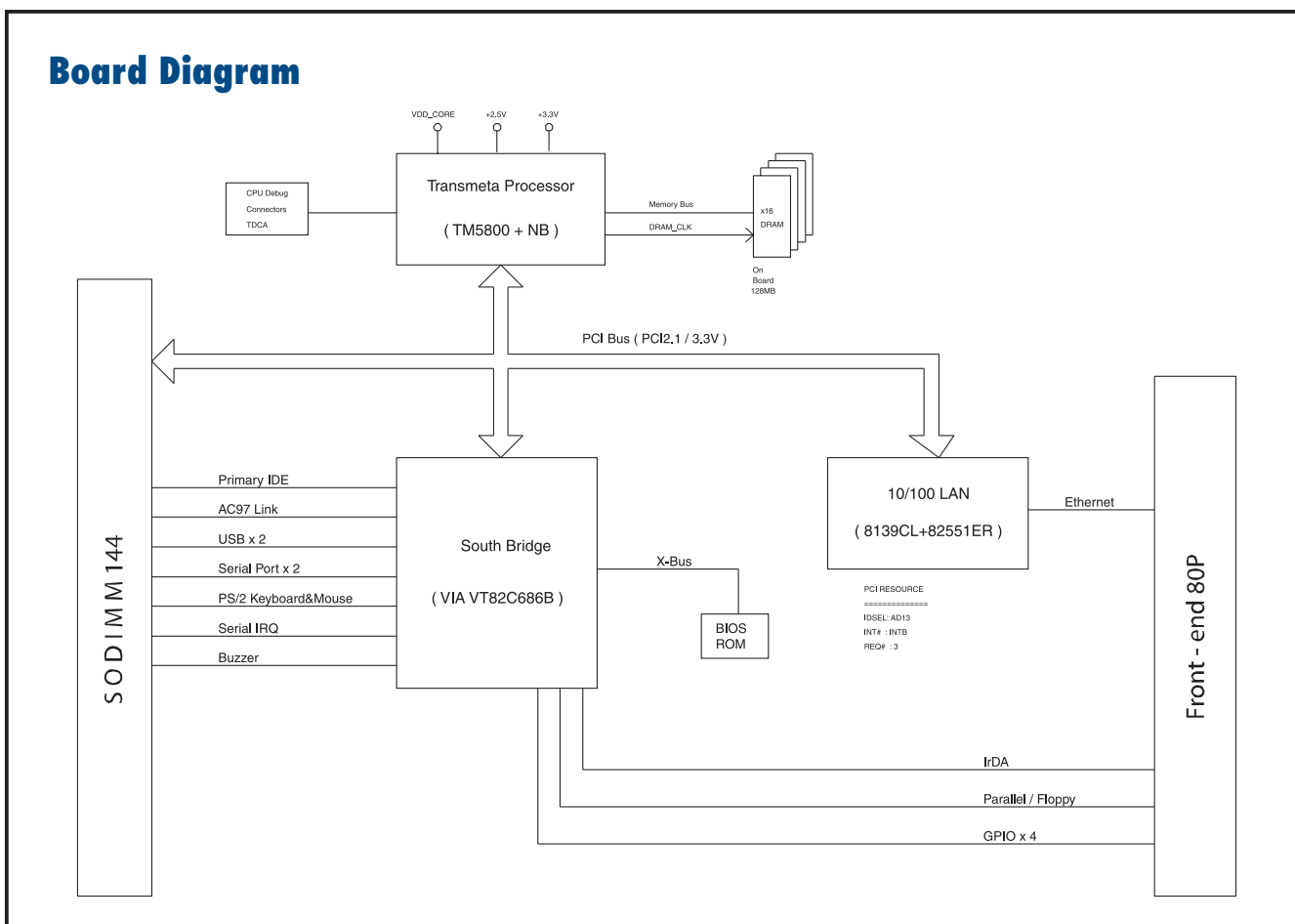
7

Embedded Software

8

Apptx

Board Diagram



Ordering Information

- **SOM-2366N-QEA1** Transmeta SOM-144 Module w/TM5800-800 CPU, 128 MB RAM, Audio & LAN
- **SOM-2366L-QEA1** Transmeta SOM-144 Module w/TM5800-800 CPU, 128 MB RAM & Audio
- **SOM-DB2300** SOM-144 Development Board