



FAIRWAY ELECTRONIC CO., LTD.

SPECIFICATION

MODEL: VA4005	ISSUE DATE: 1999/9/01	
DESCRIPTION: 40W OPEN FRAME	REV: 1.2	PAGE: 1 of 3

1. INPUT SPECIFICATIONS:

1.1 Input Voltage

The range of input voltage is from 90VAC to 264VAC.

1.2 Input frequency

The input frequency is between 47Hz to 63Hz

1.3 Input current

The maximum input current is 1A at 115VAC or 0.6A at 230VAC.

1.4 Inrush current

The inrush current will not exceed 30A at 115VAC input or 60A at 230VAC input, cold start, 25°C.

2. OUTPUT SPECIFICATIONS

2.1 Load range

Output	Min. load	Max. load	Voltage accuracy
+5.1V	0.15A	8A	5.0V to 5.2V

2.2 Ripple and noise

The peak to peak ripple and noise for +5.1V is less than 50mV, nominal line. Measuring is done by 15MHz band width limited oscilloscope and terminated each Output with a 0.47uF capacitor at max. load.

2.3 Line regulation

The line regulation for +5.1V is less than +/-1%, while measuring at max. load and +/-10% of input voltage changing.

2.4 Load regulation

The load regulation for +5.1V, is less than +/-3%, measuring is done by changing the measured output load from 20% to 80% max.

3. GENERAL FEATURES:

3.1 Efficiency

The efficiency is higher than 70% while measuring at nominal line and max. load.

APPROVED : 

DESIGN : 

PREPARE : 



FAIRWAY ELECTRONIC CO., LTD.

SPECIFICATION

MODEL: VA4005	ISSUE DATE: 1999/9/01	
DESCRIPTION: 40W OPEN FRAME	REV: 1.2	PAGE: 2 of 3

3.2 Hold up time

The hold up time is 16 ms at 115VAC input and max. load.

3.3 Protection

3.3-1 The +5.1V output parallel with a zener diode, where the output range for +5.1V is 5.5V~6.5V, the output will keep steady. If the output range is over 6.5V, the power supply will go into hiccup mode, and will auto recovery while faulty conditions removed.

3.3-2 the power supply will go into hiccup mode against short circuit or over load condition, and will auto-recovery while faulty conditions removed.

4. ENVIRONMENT SPECIFICATIONS

4.1 Operating temperature

-5°C to 50°C

4.2 Operating humidity

20% to 80% RH

4.3 Storage temperature

-20°C to 85°C

4.4 Storage humidity

20% to 80% RH

5. INTERNATIONAL STANDARDS

5.1 Safety standards

Meet the following standards

UL 1950

CUL CSA 22.2 NO.950

EN60950

5.2 EMI standards

Meet VCCI class B,

FCC class B,

CISPR 22 class B,

6. MECHANICAL :

6.1 Dimensions: 75.5mm (W) * 126.5mm (L) * 30mm (H)



FAIRWAY ELECTRONIC CO., LTD. SPECIFICATION

MODEL: VA4005

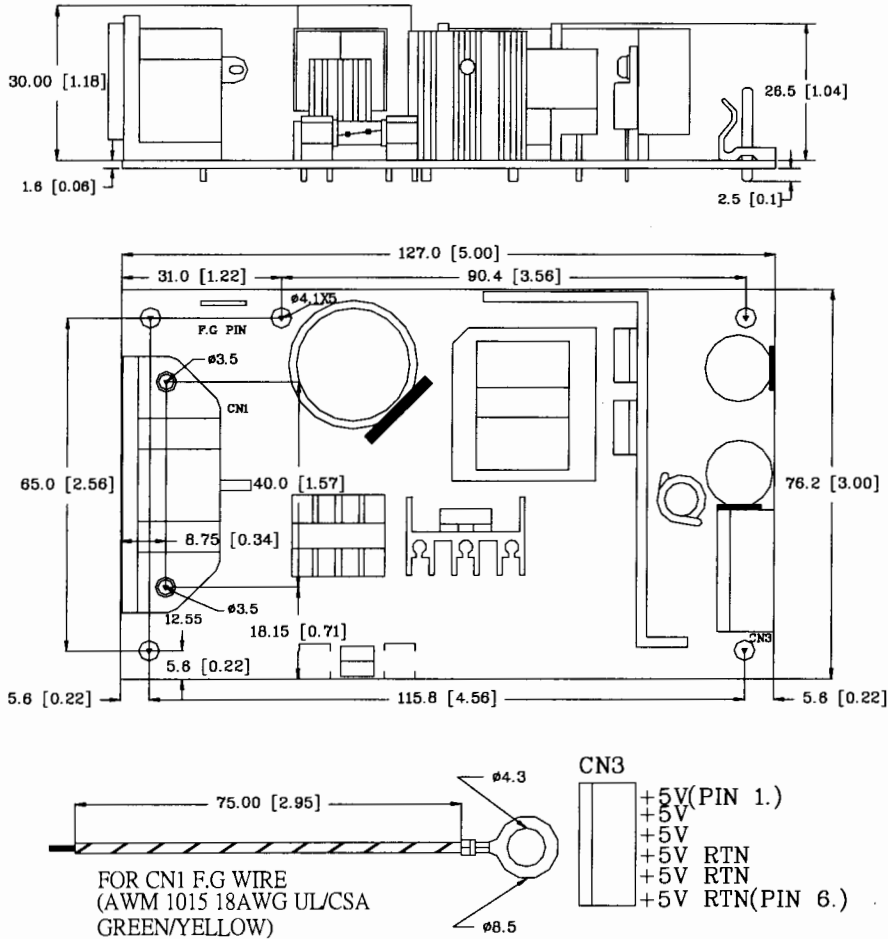
ISSUE DATE: 1999/9/01

DESCRIPTION: 40W OPEN FRAME

REV: 1.2

PAGE: 3 of 3

6.2 Outline diagram:



6.3 DC output connector pin assignment:

PIN NO. :

1	+5.1V
2	+5.1V
3	+5.1V
4	+5V RTN
5	+5V RTN
6	+5V RTN