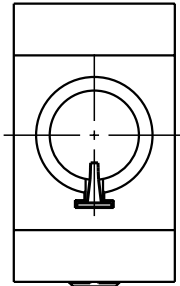


Tous droits strictement réservés. Reproduction ou communication à des tiers interdite sous quelque forme que ce soit sans autorisation écrite du propriétaire. Propriété de FCI. Droits de reproduction FCI.

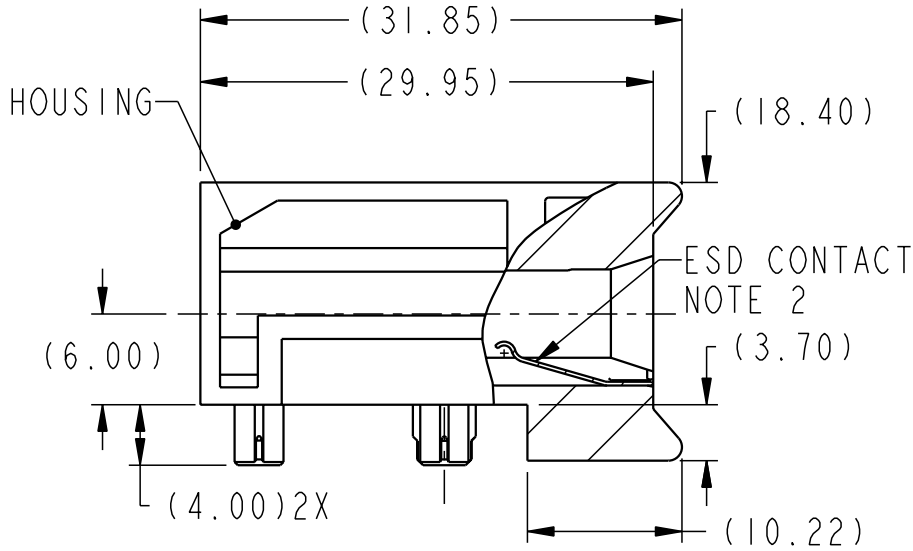
FCI

All rights strictly reserved. Reproduction or issue to third parties in any form whatever is not permitted without written authority from the proprietor. Property of FCI. Copyright FCI.

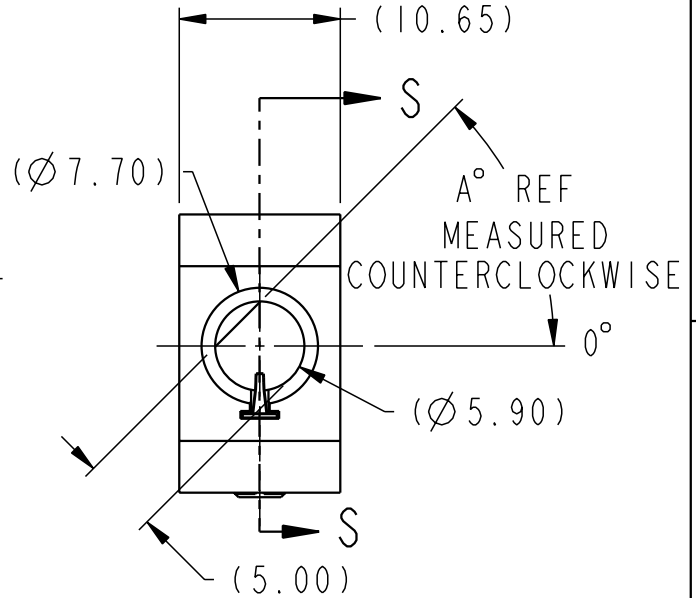
PRODUCT NUMBER
SEE TABLE, SHT 2



VIEW H
ESD ORIENTATION

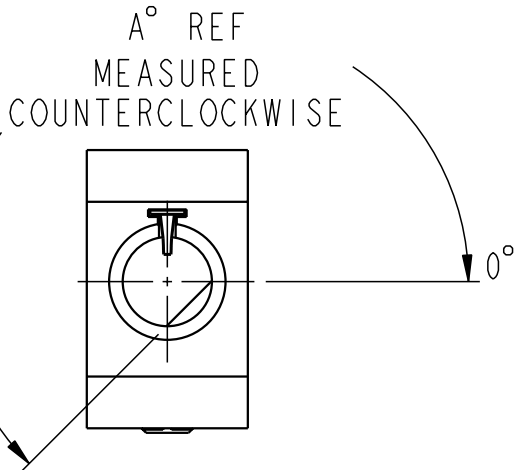


PARTIAL SECTION S-S

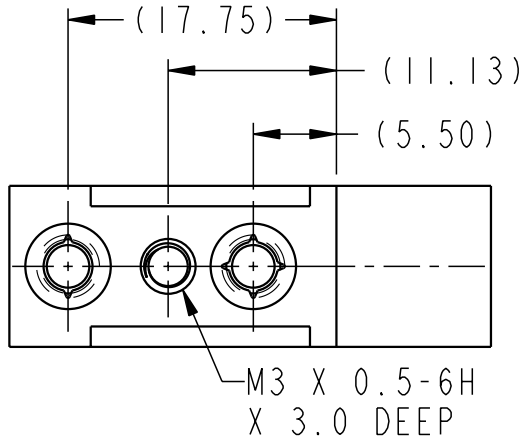


VIEW F
ESD ORIENTATION

(P/N 10037912-102 SHOWN)



VIEW G
ESD ORIENTATION



TOLERANCES UNLESS OTHERWISE SPECIFIED		rev	ecn no	dr	date
LINEAR	0.X ±.3	A	V05-0103	AR	01/27/05
	0.XX ±.10	B	V05-0262	AR	03/29/05
	0.XXX ±.050	-	-	-	-
ANGULAR	0° ±2°	-	-	-	-

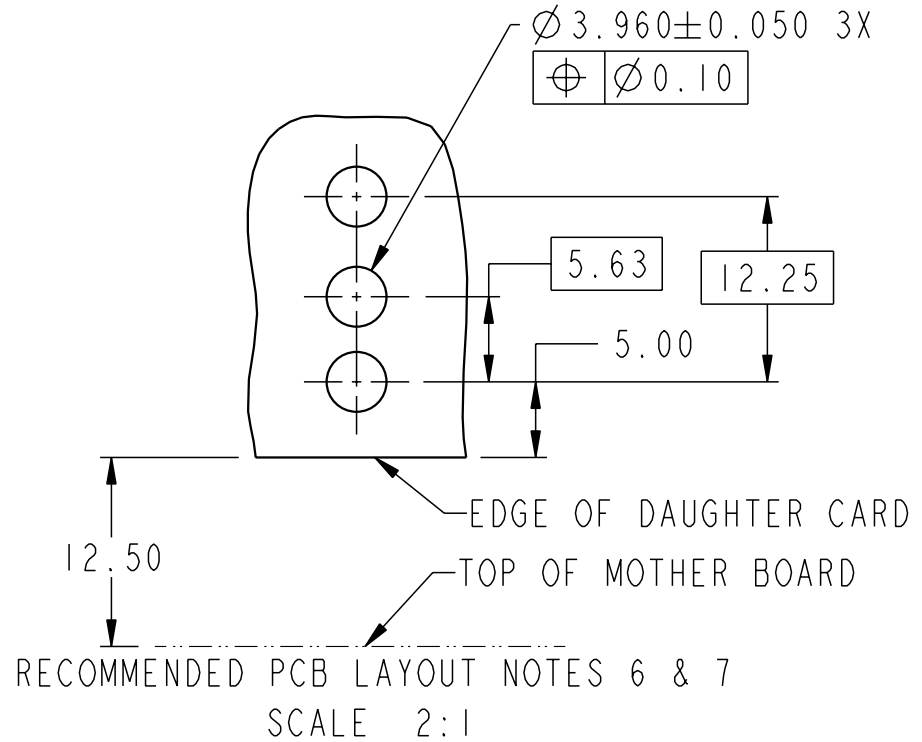
FCI		www.fciconnect.com		surface 3.2 ASME Y14.5	tolerance ASME Y14.5	projection MM	size A4	Scale 2:1
Dr	A. RAISTRICK	08/03/04	Product family	AirMax Accessories		ECN		
Eng	B. MARSHALL	08/03/04	Spec ref					
Chr	B. MARSHALL	08/03/04	Material	SEE NOTES				
Appr								
title 10.8mm GUIDE MODULE ASSY WITH ESD & KEYING OPTIONS							dwg no 10037912	Rev. B
catalog no							CUSTOMER	sheet 1 of 3

Tous droits strictement réservés. Reproduction ou communication à des tiers interdite sous quelque forme que ce soit sans autorisation écrite du propriétaire. Propriété de c FCI. Droits de reproduction FCI.



All rights strictly reserved. Reproduction or issue to third parties in any form whatever is not permitted without written authority from the proprietor. Property of FCI. Copyright FCI.

PRODUCT NUMBER NOTES 4 & 8	DIM A	ESD PIN LOCATION
10037912-1X1LF	0°	PER VIEW F
10037912-1X2LF	45°	PER VIEW F
10037912-1X3LF	90°	PER VIEW F
10037912-1X4LF	135°	PER VIEW G
10037912-1X5LF	180°	PER VIEW G
10037912-1X6LF	225°	PER VIEW G
10037912-1X7LF	270°	PER VIEW G
10037912-1X8LF	315°	PER VIEW F
10037912-1X9LF	N/A NOTE 5	PER VIEW H



title	10.8mm GUIDE MODULE ASSY WITH ESD & KEYING OPTIONS	dwg no	10037912	Rev.	B
catalog no	-	CUSTOMER	sheet 2 of 3		

Tous droits strictement reserves. Reproduction ou communication a des tiers interdite sous quelque forme que ce soit sans autorisation ecrite du proprietaire. Propriete de c FCI. Droits de reproduction FCI.



All rights strictly reserved. Reproduction or issue to third parties in any form whatever is not permitted without written authority from the proprietor. Property of FCI. Copyright FCI.

- ①. MATERIAL: ZINC ALLOY
- ②. FINISH: HOUSING; ZINC YELLOW CHROMATE
ESD CONTACT; 1.27um MINIMUM NICKEL ALL OVER
- 3. APPLICATION SPEC: GS-20-045
- ④. X = 0 FOR MODULES WITH ESD GROUNDING OPTION
X = 1 FOR MODULES W/O ESD GROUNDING OPTION
- ⑤. FOR THE -109LF VERSION (NO KEY) THE MATING GUIDE PIN MUST BE ORIENTATED SO IT MAKES CONTACT WITH THE ESD PIN
- ⑥. THRU HOLE PLATING AND ANNULAR RINGS MUST BE ADDED AS APPROPRIATE FOR APPLICATIONS WITH THE ESD GROUNDING OPTION.
FINISHED HOLE SIZE IS THE SAME REGARDLESS OF PLATED BARREL OR NOT
- ⑦. REFER TO CUSTOMER DRAWING 10035911 FOR INFORMATION REGARDING PCB LAYOUT OF POWER AND GUIDE MODULES RELATIVE TO SIGNAL MODULES
- ⑧. EQUIVALENT PRODUCTS SHOWN ON CUSTOMER DRAWING 10025408 MAY BE SUBSTITUTED PRIOR TO TOOLING COMPLETION
- 9. THIS PRODUCT MEETS EUROPEAN UNION DIRECTIVES AND OTHER COUNTRY REGULATIONS AS DESCRIBED IN GS-22-008.
- 10. PACKAGING MEETS GS-14-920 LEAD FREE LABELING SPECIFICATION.

A
B
C
D

title	10.8mm GUIDE MODULE ASSY WITH ESD & KEYING OPTIONS	dwg no	10037912	Rev.	B
catalog no	-	CUSTOMER	sheet 3 of 3		