



ELECTRIC ZONE VALVE ACTUATOR Z60000

The Z60000 Electric Zone Valves provide control of a single zone in a central hydronic hot water heating system.

FEATURES

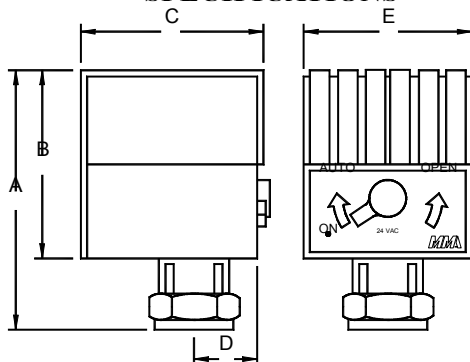
- Z60000 has isolated end switch to operate circulator pump relay.
- Used with 24V AC zone thermostat.
- Provides 2-position control.
- Fits all NT Series valves.
- Position indicator shows whether valve is open or closed.
- Slow-acting heat motor ensures quiet operation.
- Operator easily removed without draining system and without use of tools.
- When operator is removed, spring-loaded valve automatically moves to full open position.
- Stainless steel valve stem.

OPERATION

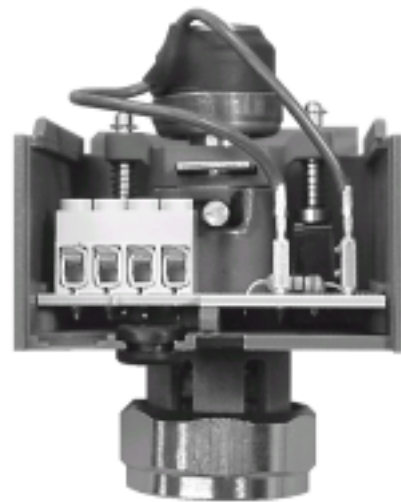
The Z60000 consists of an operator and a valve assembly. The operator includes a lever operated by a wax-filled heat motor and an opposing drive spring. All models include a normally closed blade switch which controls power to the motor heater when the valve is energized. Z60000 also has normally open blade type end switch, which controls a circulator pump relay. The valve assembly consists of a brass valve body, bonnet and a spring-loaded valve insert.

When the valve is energized by a call for heat from the thermostat, an electric heater melts the wax inside the heat motor. The melting wax expands, driving the heat motor piston up and forcing the spring-loaded lever away from the valve stem. When the lever starts to rise, it closes the normally open end switch to energize the circulator pump relay. The spring in the valve assembly pushes the valve stem up to follow the lever, and slowly lifts the valve disc off the valve seat.

SPECIFICATIONS



Z60000



| Dimension | Inches | mm |
|-----------|--------|------|
| A | 3-3/8 | 86 |
| B | 2-3/8 | 60 |
| C | 2-1/2 | 63.5 |
| D | 7/8 | 22 |
| E | 2-1/8 | 54 |

SPECIFICATIONS (Cont.)

Model Z60000 Electric Zone Valve - 2-position slow-acting valve with heat motor actuator.

Z60000 has normally open end switch for circulator pump relay.

ELECTRICAL RATINGS:

Voltage and Frequency - 24V ac, 60 Hz.

Current and Power - 0.86 A, 20.6 VA nominal.

Circulator End Switch - 24V ac, 0.6 A maximum.

THERMOSTAT ANTICIPATOR SETTING: 0.6 A standard.

AMBIENT TEMPERATURE RANGE: 40 to 125F (5 to 52C).

MAXIMUM FLUID TEMPERATURE: 240F (115C).

FLOW CAPACITY:

½ in. valve = 1.8 Cv

¾ in. valve = 2.5 Cv

1 in. valve = 2.74 Cv

1-1/4 in. valve = 3.5 Cv

REPLACEMENT PARTS: T23000 Valve Insert
Z61000 Heat Motor

INSTALLATION

CAUTION

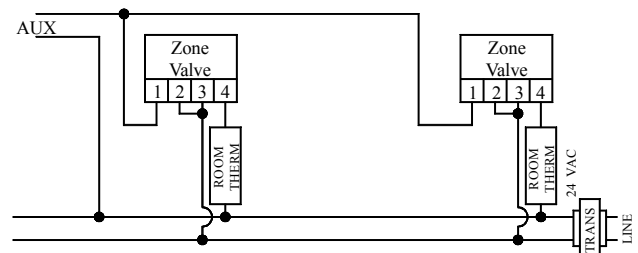
1. Installer must be a trained, experienced serviceman.
2. Disconnect power supply before installation to prevent electrical shock and equipment damage.
3. Do not exceed the ratings listed on the nameplate of the device.
4. Do not touch heat motor coil when valve is energized.
5. Remove the operator before soldering valve body into the line. When the operator is removed, the rubber valve disc is lifted off its seat - thus protecting it from excess heat.
6. Always conduct a thorough checkout when installation is complete.

Minimum wire size is 18/2.

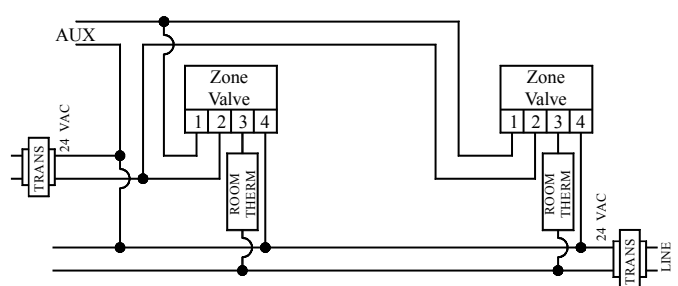
ORDERING INFORMATION

When purchasing replacement and modernization products from your wholesaler or your distributor, refer to the catalog or price sheets.

Aux Switch and Zone Valve Supply from Same Transformer



Aux Switch and Zone Valve Supply from Different Transformers



Basic Zone Connections

