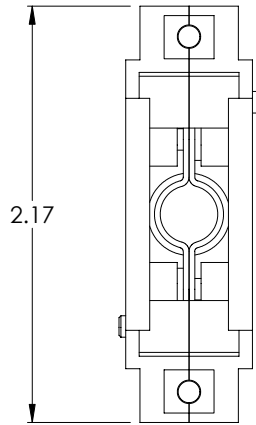
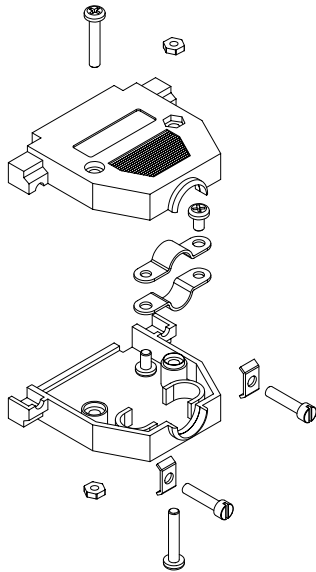
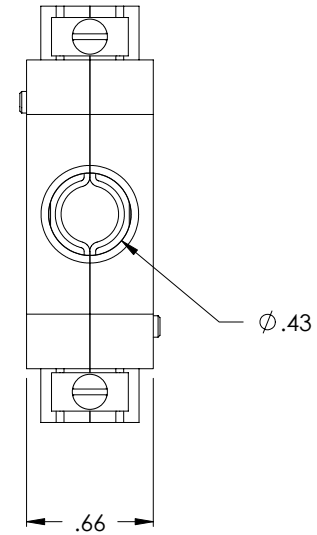
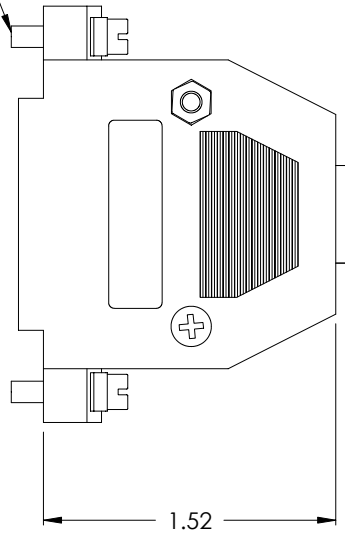


THE INFORMATION CONTAINED IN THIS DRAWING IS THE SOLE PROPERTY OF L-COM, INC. ANY REPRODUCTION IN PART OR WHOLE WITHOUT THE WRITTEN PERMISSION OF L-COM, INC. IS PROHIBITED.

REVISIONS			
REV	DESCRIPTION	DATE	APPROVED
A	RELEASED FOR PRODUCTION	11/19/01	.
.	.	.	.
.	.	.	.
.	.	.	.



2X 4-40 UNC-2A



NOTE:

1. HOOD: FLAME RETARDANT BLACK PLASTIC
2. HARDWARE PROVIDED: MALE GENDER TERMINATION
3. ALL HARDWARE SHOWN PROVIDED WITH CONNECTOR KIT.

UNLESS OTHERWISE SPECIFIED,
DIMENSIONS ARE IN INCHES
TOLERANCES ARE:
X ±.1
.XX ±.05
.XXX ±.005
CABLE LENGTH TOLERANCE
<300' ±5% >300' ±2%

APPROVALS	DATE
D PARHAM	11/19/2001
T CLARK	11/19/2001
R CARRICK	11/19/2001

CONFIGURATION DETAILS OF
UNDIMENSIONED FEATURES
MAY VARY

L-com CONNECTIVITY PRODUCTS		45 BEECHWOOD DRIVE NORTH ANDOVER, MA 01845	
DRAWN		PRODUCT DESCRIPTION	
D PARHAM		D-SUB HOODS	
CHECKED		DRAWING TITLE	
T CLARK		OUTLINE DRAWING	
APPROVED BY		SIZE	FSCM NO.
R CARRICK		A	43321
		DWG. NO.	SDC25B-OD1
		SCALE	1:1
		CAD FILE:	SDC25B-OD1.SLDDRW
		SHEET	1 OF 1