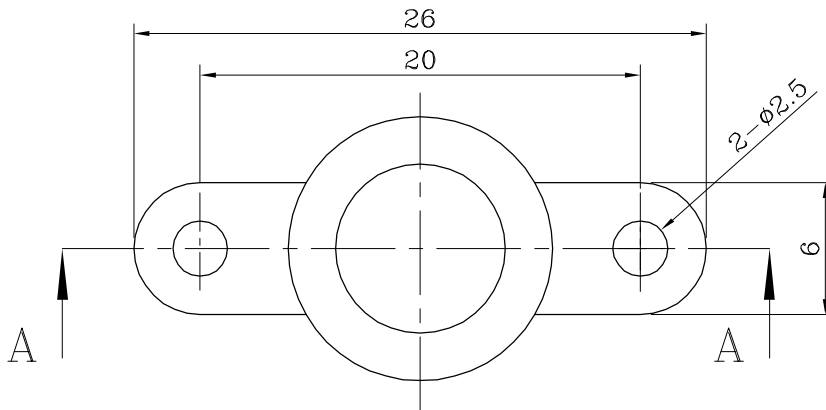


SECTION:A-A



NOTES:

- 1、Material:silicon rubber;
- 2、Hardness:70° ;
- 3、Color:black.

					<b>Holder</b>		Material: silicon rubber	
							Part No: 01.AE.MT.946502	
Drawing No	Mark	Doc No.	Signature	Date	Proportion 10:1		<b>HORN</b> Shenzhen Horn Electroacoustic Technology Co.,Ltd	
Version	design	date						
1.2	check	date						
	approve	date			Page 1 of 1			