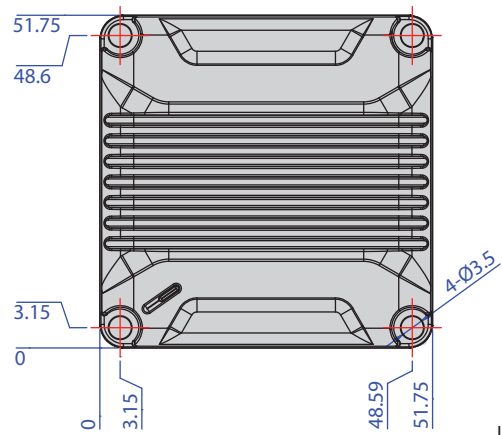


# VDX-200RD-PCI-B



Unit: mm

## Specifications

<b>SoC</b>	DM&P SoC CPU Vortex86DX- 800MHz Real Time Clock with Lithium Battery Backup
<b>Cache</b>	L1:16K I-Cache, 16K D-Cache,L2 Cache 128KB
<b>Bus</b>	PCI Bus standard compliant
<b>BIOS</b>	AMI BIOS
<b>System Memory</b>	256 / 512MB Onboard
<b>Watchdog Timer</b>	Software programmable from 30.5 $\mu$ sec.to 512 sec. x 2 sets (Watchdog 1 fully compatible with M6117D)
<b>LAN</b>	Integrated 10/100Mbps Ethernet
<b>Flash Disk Support</b>	Onboard 4MB SPI Flash Disk Onboard 512MB SST Flash Disk (1GB/2GB/4GB are Optional) MSTI EmbedDisk Module (16MB and above) 44-pin IDE to Micro SD (Optional)
<b>PWM</b>	24~32 Channels
<b>I2C</b>	Controlled by GP 34/35
<b>Serial Console</b>	Controlled by GP 36/37
<b>I/O interface</b>	Enhanced IDE port (UltraDMA-100/66/33) x1 RS-232 port x5 (TX/RX x1) USB port (Ver2.0) x4 16-bit GPIO port x2 10/100Mbps Ethernet port x1
<b>Connector</b>	1.27mm 50-pin box header for signal x4 1.25mm 6-pin wafer for JTAG x1
<b>Power Requirement</b>	Single Voltage +5V @ 330mA
<b>Weight</b>	15g
<b>Board Size</b>	48mm (L) x 48mm (W)
<b>Operating Temperature</b>	-20°C ~ +70°C -40°C ~ +85°C (Optional)

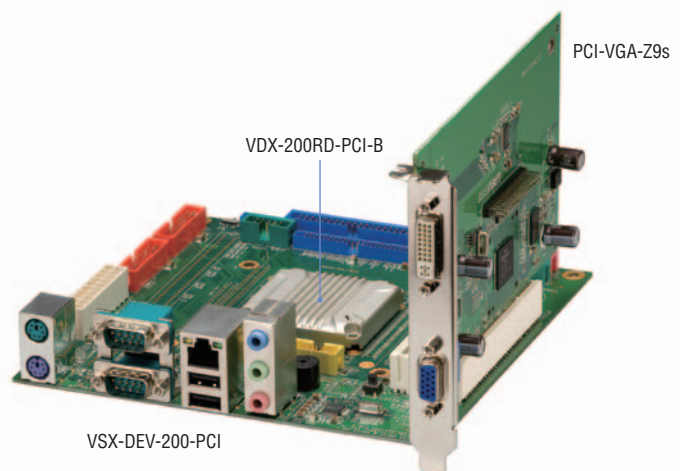
## Packing List

- VDX-200RD-PCI-B x1

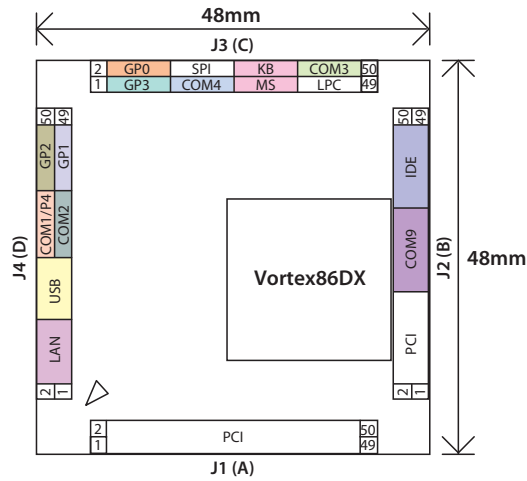
## Ordering Information

- **VDX-200RD-PCI-B** Vortex86DX DIP-200pin CPU Module with 256MB DDR2
- **VSX-DEV-200-PCI** VDX-200RD-XI-B Development board
- **PCI-VGA-Z9s** XGI Z9s VGA/DVI PCI Display Board

## VSX-DEV-200-PCI Development Kit



### VDX-200RD-PCI-B



### VDX-200RD-PCI-B Signal Assignment

J1(A)		J2(B)		J3(C)		J4(D)	
Pin	Signal Name	Pin	Signal Name	Pin	Signal Name	Pin	Signal Name
1	GND	2	GND	1	GP00	2	GP34
3	INT-A	4	PCICLK1	3	GP01	4	GP35
5	INT-B	6	PCICLK2	5	GP02	6	GP36
7	INT-C	8	PCICLK3	7	GP03	8	GP37
9	INT-D	10	GND	9	GP04	10	SPICS
11	PGNT-0	12	PREQ-0	11	GP05	12	SPICLK
13	PGNT-1	14	PREQ-1	13	GP06	14	SPIDO
15	PGNT-2	16	PREQ-2	15	GP07	16	SPIDI
17	GND	18	GND	17	DCD4\	18	SPEAKER
19	AD31	20	AD30	19	RXD4\	20	KBCLK
21	AD29	22	AD28	21	TXD4\	22	KBDATA
23	AD27	24	AD26	23	DTR4\	24	MSCLK
25	AD25	26	AD24	25	DSR4\	26	MSDATA
27	AD23	28	AD22	27	RTS4\	28	RESET
29	AD21	30	AD20	29	CTS4\	30	VBATT
31	AD19	32	AD18	31	RI4\	32	24MHz
33	AD17	34	AD16	33	DCD3\	34	LFRAME-
35	AD15	36	AD14	35	RXD3\	36	LDRQ-
37	AD13	38	AD12	37	TXD3\	38	SERIRQ
39	AD11	40	AD10	39	DTR3\	40	LAD0
41	AD9	42	AD8	41	DSR3\	42	LAD1
43	AD7	44	AD6	43	RTS3\	44	LAD2
45	AD5	46	AD4	45	CTS3\	46	LAD3
47	AD3	48	AD2	47	RI3\	48	KEY
49	AD1	50	AD0	49	VCC	50	VCC

- 1
- µProcessor Module
- 2
- Tiny Module
- 3
- PC/104 CPU module
- 4
- Half-Size CPU module
- 5
- 3.5" CPU module
- 6
- Peripheral Module
- 7
- Display Product Series
- 8
- Accessories & Technical Information