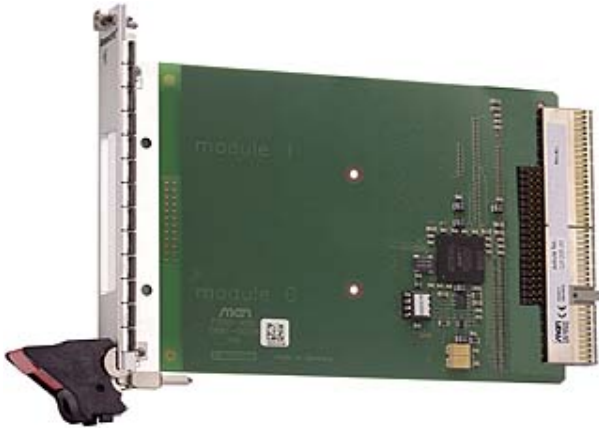


# F204 - 3U CompactPCI/PXI Carrier Board for M-Modules



- ◆ **1 CompactPCI bus slot**
- ◆ **1 PXI slot**
- ◆ **1 M-Module slot**
- ◆ **Flexible PXI trigger routing**

The F204 is a 3U M-Module carrier board for universal I/O on the CompactPCI bus as well as on PXI for automated testing requirements. It allows high flexibility in applications such as data acquisition or process control. The F204 supports all eight PXI trigger lines as defined in the PXI specification. One M-Module may be installed on the F204, which needs only one slot on either the CompactPCI bus or on the

PXI bus. M-Modules are screwed tightly on the board and require no separately mounted transition panel. The F204 offers developers instant access to more than 70 different M-Modules for I/O in fields such as process I/O, measurement, instrumentation, motion control, communication, and development.

## Technical Data

### CompactPCI Bus

- Compliance with CompactPCI Specification 2.0 R2.1
- Only one slot required on the 3U CompactPCI bus
- FPGA-based PCI-to-M-Module bridge
  - Target on PCI bus
  - Max. clock frequency 33MHz
- Compliance with PCI Specification 2.2
- 32-bit PCI data bus
- V(I/O): +5V (+3.3V on request)

### M-Modules

- F204: one M-Module slot on the board
- F205: two M-Module slots on the board
- M-Module compliance: D08, D16, A08, INTA, TRIG1, TRIGO

### PXI

- Eight trigger lines compliant with PXI Specification
- Routing of PXI trigger lines to M-Module interface TRIGA, TRIGB

### Peripheral Connections

- Via front panel

### Electrical Specifications

- Supply voltage/power consumption:
  - +5V (4.85V..5.25V), 20mA typ.
  - +3.3V (3.0V..3.6V), 20mA typ.
- MTBF: tbd. @ 50°C

### Mechanical Specifications

- F204:
  - Dimensions: conforming to CompactPCI specification for 3U boards
  - Front panel: aluminum with 1 handle, cut-out for front connector of M-Module
  - Weight: tbd. (without M-Modules)
- F205:
  - Dimensions: 111.7mm x 160mm standard
  - Front panel: aluminum without handles, cut-outs for front connectors of 2 M-Modules
  - Weight: tbd. (without M-Modules)

### Environmental Specifications

- Temperature range (operation):
  - 0..+60°C or -40..+85°C
  - Airflow: min. 10m<sup>3</sup>/h
- Temperature range (storage): -40..+85°C
- Relative humidity (operation): max. 95% non-condensing
- Relative humidity (storage): max. 95% non-condensing
- Altitude: -300m to + 3,000m
- Shock: 15g/11ms

- Bump: 10g/16ms
- Vibration (sinusoidal): 2g/10..150Hz

### Safety

- PCB manufactured with a flammability rating of 94V-0 by UL recognized manufacturers

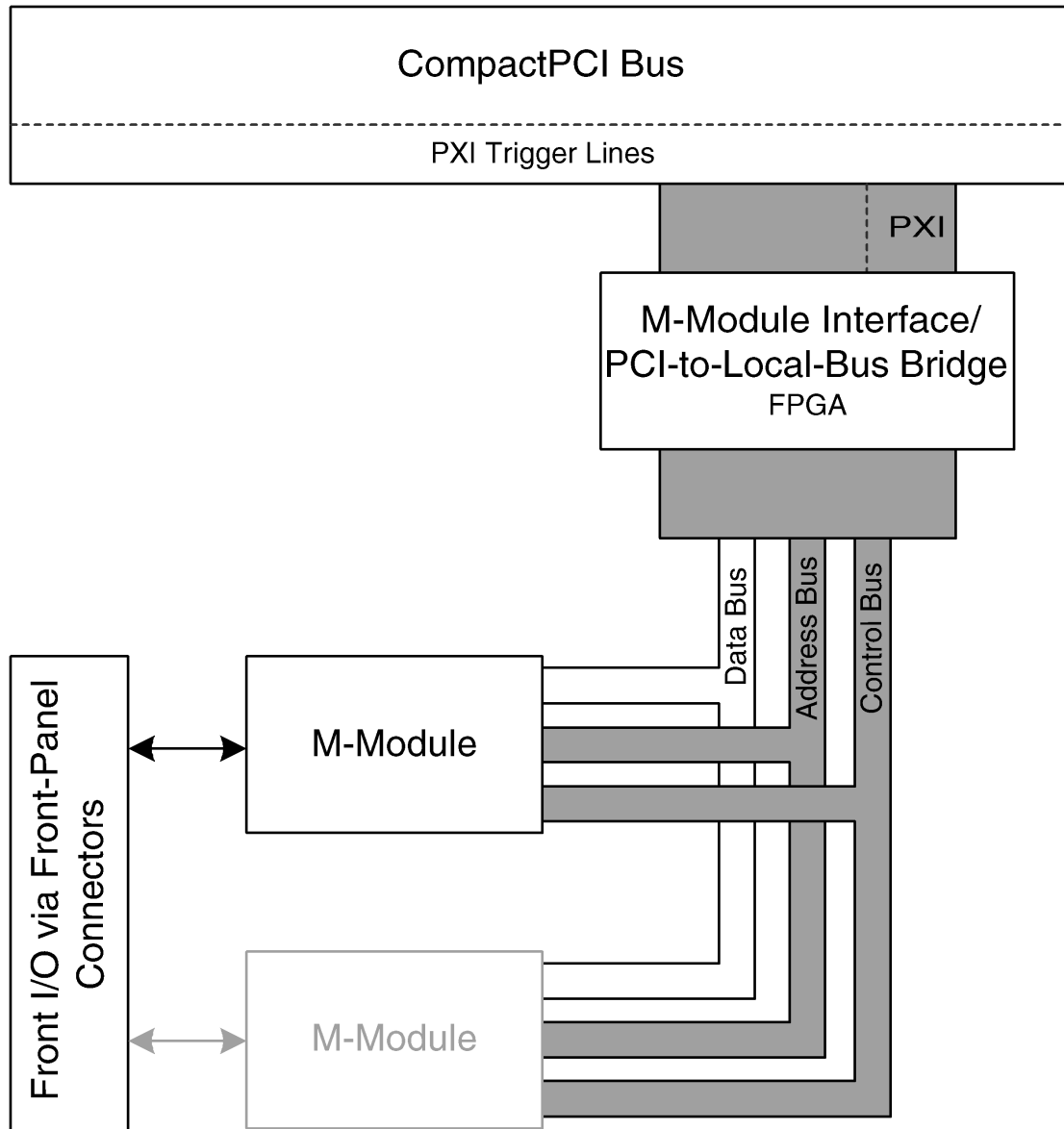
### EMC

- Tested according to EN 55022 (radio disturbance), IEC1000-4-2 (ESD) and IEC1000-4-4 (burst) with regard to CE conformity

### Software Support

- M-Module drivers for Windows, VxWorks, Linux, OS-9, RTX as supported

**Diagram**



## Related Products

### Standard Hardware

02F204-00	F204, CompactPCI/PXI 3U, carrier board for 1 M-Module, temperature range 0..+60°C
02F204-01	F204, CompactPCI/PXI 3U, carrier board for 1 M-Module, temperature range -40..+85°C

### Accessories

05M000-15	Front-panel cover for M-Module cut-outs at front panels, snap-in, 10 pcs
05M000-17	25 mounting screw sets to fix M-Modules on carrier boards

### Software

Driver software for Windows, Linux, VxWorks, QNX, RTX and OS-9 is available for the different M-Modules. Please refer to the M-Module/s of your choice for information and download.

### Documentation

20APPN001	Application Note: Using MEN +5V CompactPCI Boards with +3.3V V(I/O)
20F204-00	F204/F205 user manual

*For the most up-to-date ordering information and direct links to other data sheets and downloads, see the F204 online data sheet under [www.men.de](http://www.men.de). --> [Click here!](#)*

#### Germany

MEN Mikro Elektronik GmbH  
Neuwieder Straße 5-7  
90411 Nuremberg  
Phone +49-911-99 33 5-0  
Fax +49-911-99 33 5-901  
E-mail [info@men.de](mailto:info@men.de)  
[www.men.de](http://www.men.de)

#### France

MEN Mikro Elektronik SA  
18, rue René Cassin  
ZA de la Châtelaine  
74240 Gaillard  
Phone +33 (0) 450-955-312  
Fax +33 (0) 450-955-211  
E-mail [info@men-france.fr](mailto:info@men-france.fr)  
[www.men-france.fr](http://www.men-france.fr)

#### UK

MEN Micro Ltd  
Whitehall, 75 School Lane  
Hartford, Northwich  
Cheshire UK, CW8 1PF  
Phone +44 (0) 1477-549-185  
Fax +44 (0) 1477-549-178  
E-mail [info@menmicro.co.uk](mailto:info@menmicro.co.uk)  
[www.menmicro.co.uk](http://www.menmicro.co.uk)

#### USA

MEN Micro, Inc.  
PO Box 4160  
Lago Vista, TX 78645-4160  
Phone (512) 267-8883  
Fax (512) 267-8803  
E-mail [sales@menmicro.com](mailto:sales@menmicro.com)  
[www.menmicro.com](http://www.menmicro.com)

*The date of issue stated in this data sheet refers to the Technical Data only. Changes in ordering information given herein do not affect the date of issue.*

*All brand or product names are trademarks or registered trademarks of their respective holders.*

*Information in this document has been carefully checked and is believed to be accurate as of the date of publication; however, no responsibility is assumed for inaccuracies. MEN Mikro Elektronik accepts no liability for consequential or incidental damages arising from the use of its products and reserves the right to make changes on the products herein without notice to improve reliability, function or design. MEN Mikro Elektronik does not assume any liability arising out of the application or use of the products described in this document.*

*The products of MEN Mikro Elektronik are not suited for use in nuclear reactors and for application in medical appliances used for therapeutical purposes.*

*Application of MEN's products in such plants is only possible after the user has precisely specified the operation environment and after MEN Mikro Elektronik has consequently adapted and released the product.*

*Copyright © 2004 MEN Mikro Elektronik GmbH. All rights reserved.*