

- Series 917 TO package sockets are available in 3,4,8 and 10 pins.
- Two 8 pin versions feature pin centers on .200" or .230" circle.
- Uses Mill-Max # 1705 pin, see page 137 for details.
- Vertical sockets use high temp. thermoplastic insulators.

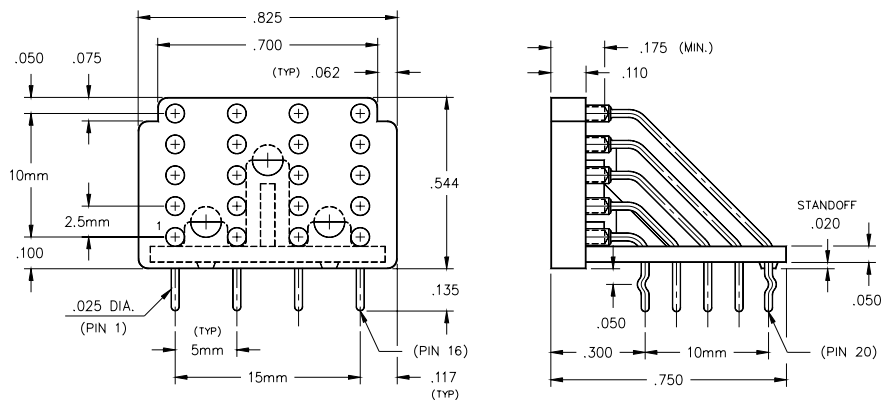


Type	Circle Dia.	No. of Pins	Ordering Information
TO-5	0.200	3	917-XX-103-41-005
TO-5	0.200	4	917-XX-104-41-005
TO-5	0.200	8	917-XX-108-41-005
TO-100	0.230	8	917-XX-208-41-005
TO-100	0.230	10	917-XX-210-41-005

XX=
Plating Code See Below

Vertical Mount Display Sockets

No. of Pins	Ordering Information
20	594-99-020-01-007032



SPECIFY PLATING CODE XX=		93	99
Sleeve (Pin)		200μ" Sn/Pb	200μ" Sn/Pb
Contact (Clip)		30μ" Au	200μ" Sn/Pb