

Floor-Mount and Free-Stand Enclosures

Free-Stand Single and Dual Access with 3-Point Latches, Type 4X



Industry Standards

UL 508A Listed; Type 3R, 4, 4X, 12; File No. E61997
cUL Listed per CSA C22.2 No 94; Type 3R, 4, 4X, 12; File No. E61997

NEMA/EEMAC Type 3, 3R, 4, 4X, 12, 13
E.I.A. RS-310-D
IEC 60529, IP66
Meets NEMA Type 3RX requirements

Application

Designed to house systems incorporating large components or complex mounting configurations. Three-point latching and sealing provide industry-leading protection from dust, dirt, oil and water. These enclosures are used in machine tool applications for housing motor starters, drives, contactors and PLCs, as well as a wide variety of other electrical and electronic equipment. The addition of 19-in. rack-mounting accessories makes these enclosures ideal for providing rugged protection for sensitive rack-mounted components in harsh industrial environments. These enclosures are used extensively in automotive, pulp and paper, wood products, textile and similar industries.

Four styles are available to provide maximum flexibility:

1. One-Door Single-Access Enclosures (single door on front)
2. One-Door Dual-Access Enclosures (single door on front and rear)
3. Two-Door Single-Access Enclosures (doors close on a removeable centerpost)
4. Two-Door Dual-Access Enclosures (doors close on a removeable centerpost on front and rear)

Specifications

- 12 gauge Type 304 stainless steel
- Seams continuously welded and ground smooth; no holes or knockouts
- Two-door enclosures provided with a removeable centerpost for easy panel installation
- Heavy-duty lifting eyes are Type 316L stainless steel
- Heavy-duty three-point latching mechanism operated by Type 316L stainless steel POWERGLIDE® padlocking handle
- Seamless foam-in-place gasket assures a water-tight and dust-tight seal
- Body flange trough collar excludes liquids and contaminants
- Latch rods have rollers for easier door closing
- Heavy-gauge continuous hinges support each door
- High-impact thermoplastic data pocket provided with each enclosure
- Mounting channels welded horizontally to interior body sides at top, bottom and center
- Optional panels and rack mounting angles can be mounted anywhere along channels
- Bonding provision on door; grounding stud on body
- Accessory mounting channel provided in enclosure top

Finish

Enclosures are unpainted. Cover, sides, top and bottom have smooth #4 brushed finish. Optional steel panels, swing-out panels, side-mounted panels, rack-mounting frames, heavy-duty panel supports and center panel supports are white. Optional full, half and side-mounted conductive panels are available.

Patents

US 5,634,357
D 385,7683

Accessories

See also Accessories.

Caster Kit
Clamping Nut Package
Floor Stand Kit, Stainless Steel
Center Panel Supports
Panels for Type 3R, 4, 4X, 12 and 13 Enclosures

Modification and Customization

Hoffman excels at modifying and customizing products to your specifications. Contact your local Hoffman sales office or distributor for complete information.

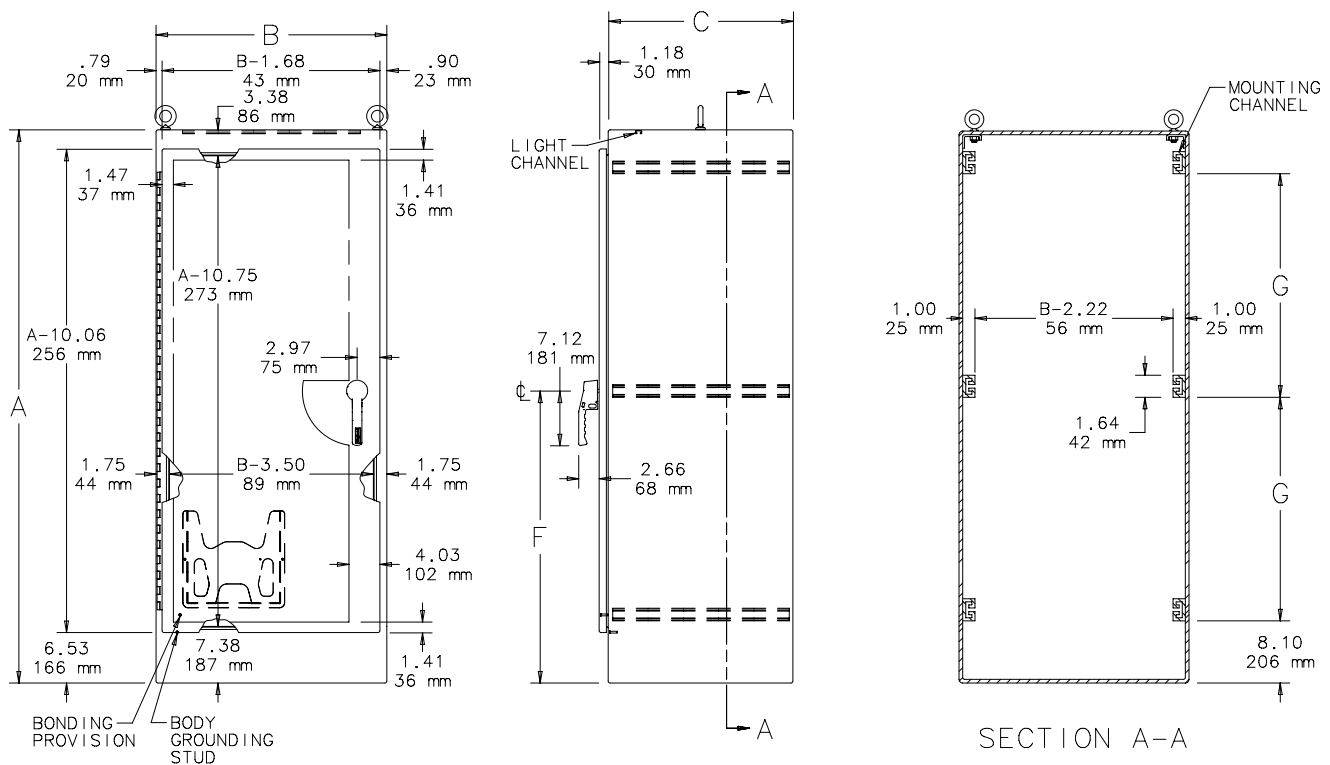
Bulletin: A3054

Floor-Mount and Free-Stand Enclosures

Standard Product One-Door Single-Access

Catalog Number	AxBxC in./mm	F in./mm	G in./mm
A6024185SFSN4	60.06 x 24.06 x 18.06 1526 x 611 x 459	32.03 814	23.12 587
A7224185SFSN4	72.06 x 24.06 x 18.06 1830 x 611 x 459	38.03 966	29.12 740
A7230185SFSN4	72.06 x 30.06 x 18.06 1830 x 764 x 459	38.03 966	29.12 740
A7236185SFSN4	72.06 x 36.06 x 18.06 1830 x 916 x 459	38.03 966	29.12 740
A9024205SFSN4	90.06 x 24.06 x 20.06 2288 x 611 x 510	47.03 1195	38.12 968
A9036205SFSN4	90.06 x 36.06 x 20.06 2288 x 916 x 510	47.03 1195	38.12 968
A6036245SFSN4	60.06 x 36.06 x 24.06 1526 x 916 x 611	32.03 814	23.12 587
A7224245SFSN4	72.06 x 24.06 x 24.06 1830 x 611 x 611	38.03 966	29.12 740
A7230245SFSN4	72.06 x 30.06 x 24.06 1830 x 764 x 611	38.03 966	29.12 740
A7236245SFSN4	72.06 x 36.06 x 24.06 1830 x 916 x 611	38.03 966	29.12 740
A9036245SFSN4	90.06 x 36.06 x 24.06 2288 x 916 x 611	47.03 1195	38.12 968
A7236305SFSN4	72.06 x 36.06 x 30.06 1830 x 916 x 764	38.03 966	29.12 740
A7236365SFSN4	72.06 x 36.06 x 36.06 1830 x 916 x 916	38.03 966	29.12 740
A9036365SFSN4	90.06 x 36.06 x 36.06 2288 x 916 x 916	47.03 1195	38.12 968

Purchase panels and accessories separately.



87576784

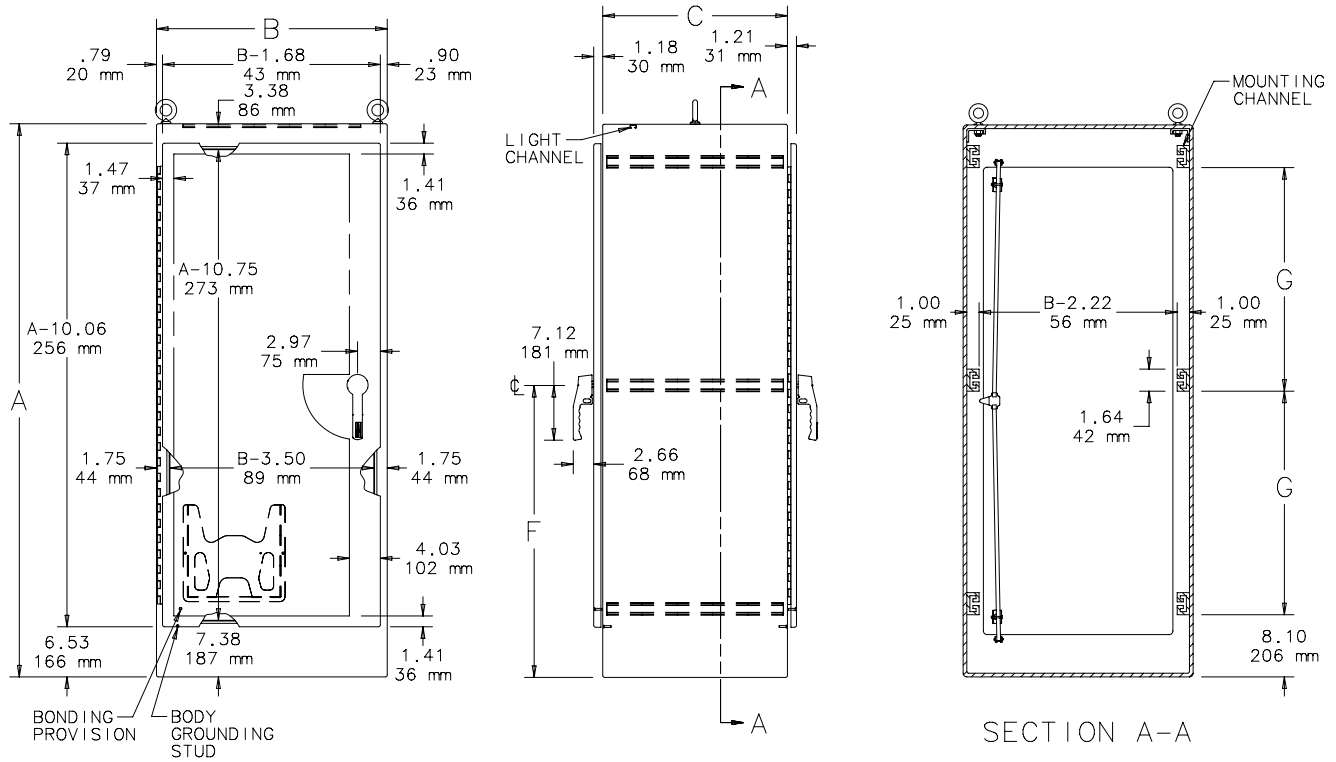
- NOTES:
1. Four lifting eyes are furnished if C=30.06 (764mm) or more.
 2. See General Accessories chapter for section views A-A and B-B showing accessories.
 3. Removable 12.00 x 12.00 (305mm x 305mm) data pocket.

Floor-Mount and Free-Stand Enclosures

Standard Product **One-Door Dual-Access**

Catalog Number	AxBxC in./mm	F in./mm	G in./mm
A722424SSFS DAN4	72.06 x 24.06 x 24.06 1830 x 611 x 611	38.03 966	29.12 740
A723024SSFS DAN4	72.06 x 30.06 x 24.06 1830 x 764 x 611	38.03 966	29.12 740
A723624SSFS DAN4	72.06 x 36.06 x 24.06 1830 x 916 x 611	38.03 966	29.12 740
A903624SSFS DAN4	90.06 x 36.06 x 24.06 2288 x 916 x 611	47.03 1195	38.12 968
A722430SSFS DAN4	72.06 x 24.06 x 30.06 1830 x 611 x 764	38.03 966	29.12 740
A722436SSFS DAN4	72.06 x 24.06 x 36.06 1830 x 611 x 916	38.03 966	29.12 740
A723636SSFS DAN4	72.06 x 36.06 x 36.06 1830 x 916 x 916	38.03 966	29.12 740
A903636SSFS DAN4	90.06 x 36.06 x 36.06 2288 x 916 x 916	47.03 1195	38.12 968

Purchase panels and accessories separately.



87576785

- NOTES:
1. Four lifting eyes are furnished if C=30.06 (764mm) or more.
 2. See General Accessories chapter for section views A-A and B-B showing accessories.
 3. Removable 12.00 x 12.00 (305mm x 305mm) data pocket.

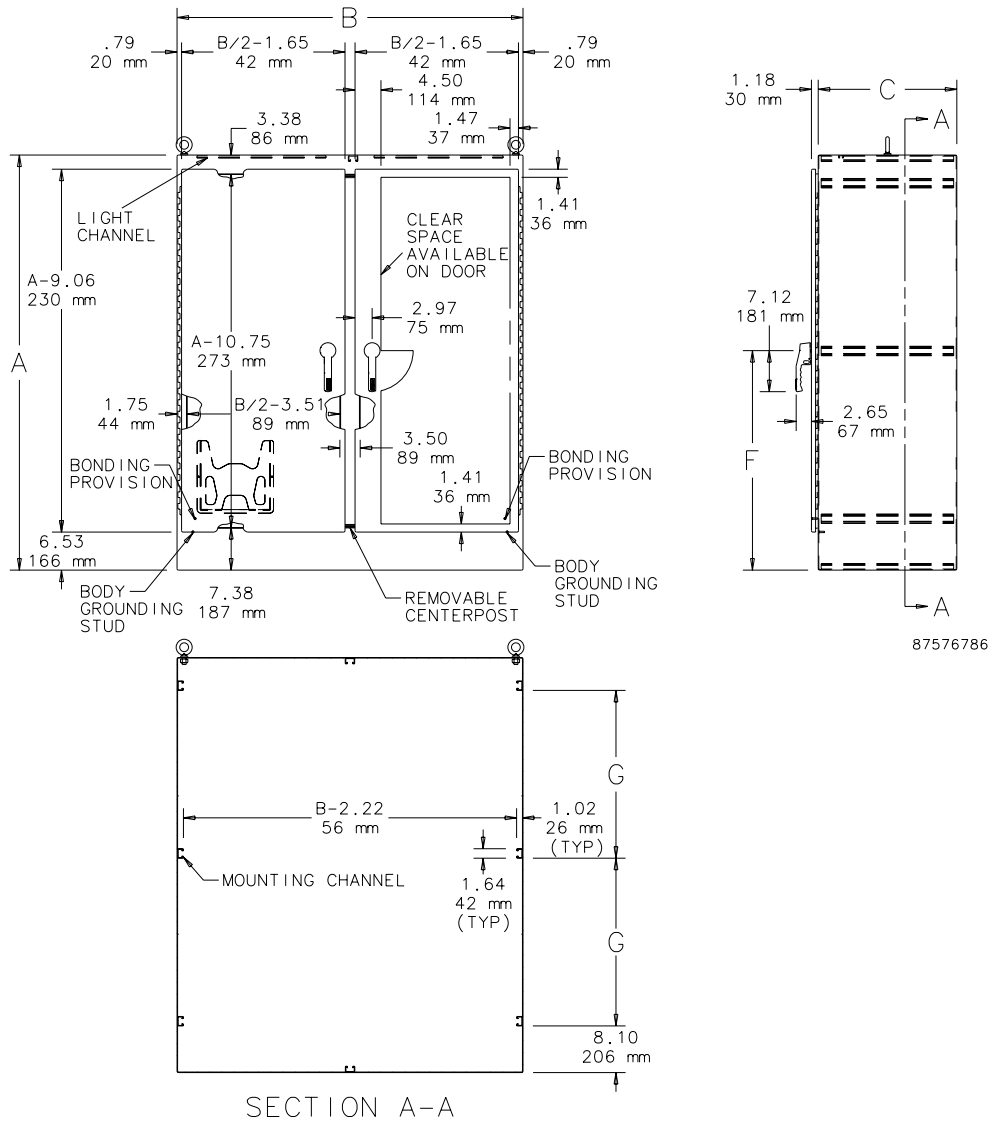
Floor-Mount and Free-Stand Enclosures

Standard Product **Two-Door Single-Access**

Catalog Number	AxBxC in./mm	F in./mm	G in./mm	H in./mm	J in./mm
A604818SSFSDN4	60.06 x 48.06 x 18.06	32.03	23.12	19.88	20.03
	1526 x 1221 x 472	814	587	505	509
A724818SSFSDN4	72.06 x 48.06 x 18.06	38.03	29.12	23.88	24.03
	1830 x 1221 x 472	966	740	607	610
A726018SSFSDN4	72.06 x 60.06 x 18.06	38.03	29.12	23.88	24.03
	1830 x 1526 x 472	966	740	607	610
A727218SSFSDN4	72.06 x 72.06 x 18.06	38.03	29.12	23.88	24.03
	1830 x 1830 x 472	966	740	607	610
A904820SSFSDN4	90.06 x 48.06 x 20.06	47.03	38.12	29.88	30.03
	2288 x 1221 x 510	1195	968	759	763
A907220SSFSDN4	90.06 x 72.06 x 20.06	47.03	38.12	29.88	30.03
	2288 x 1830 x 510	1195	968	759	763
A724824SSFSDN4	72.06 x 48.06 x 24.06	38.03	29.12	23.88	24.03
	1830 x 1221 x 611	966	740	607	610
A726024SSFSDN4	72.06 x 60.06 x 24.06	38.03	29.12	23.88	24.03
	1830 x 1526 x 611	966	740	607	610
A727224SSFSDN4	72.06 x 72.06 x 24.06	38.03	29.12	23.88	24.03
	1830 x 1830 x 611	966	740	607	610
A907224SSFSDN4	90.06 x 72.06 x 24.06	47.03	38.12	29.88	30.03
	2288 x 1830 x 611	1195	968	759	763
A726036SSFSDN4	72.06 x 60.06 x 36.06	38.03	29.12	23.88	24.03
	1830 x 1526 x 916	966	740	607	610
A907236SSFSDN4	90.06 x 72.06 x 36.06	47.03	38.12	29.88	30.03
	2288 x 1830 x 916	1195	968	759	763

Purchase panels and accessories separately.

Floor-Mount and Free-Stand Enclosures

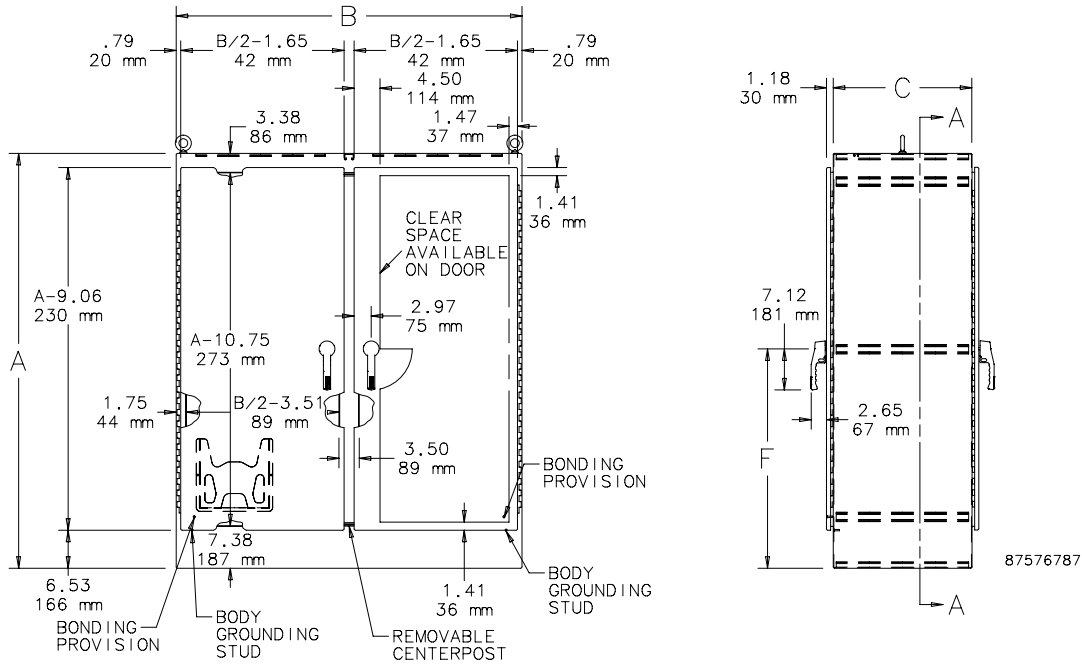


Floor-Mount and Free-Stand Enclosures

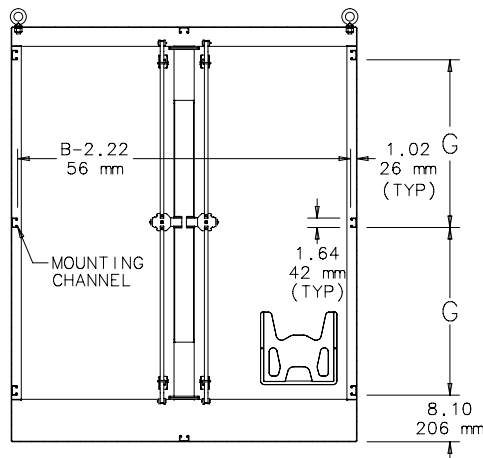
Standard Product Two-Door Dual-Access

Catalog Number	AxBxC in./mm	F in./mm	G in./mm
A724824SSFSDADN4	72.06 x 48.06 x 24.06	38.03	29.12
	1830 x 1221 x 611	966	740
A726024SSFSDADN4	72.06 x 60.06 x 24.06	38.03	29.12
	1830 x 1526 x 611	966	740
A727224SSFSDADN4	72.06 x 72.06 x 24.06	38.03	29.12
	1830 x 1830 x 611	966	740
A907224SSFSDADN4	90.06 x 72.06 x 24.06	47.03	38.12
	2288 x 1830 x 611	1195	968
A726036SSFSDADN4	72.06 x 60.06 x 36.06	38.03	29.12
	1830 x 1526 x 916	966	740

Purchase panels and accessories separately.



- NOTES: 1. Four lifting eyes are furnished if C=30.06 (764mm) or more.
 2. See General Accessories chapter for section views A-A and B-B showing accessories.
 3. Removable 12.00 x 12.00 (305mm x 305mm) data pocket.



SECTION A-A