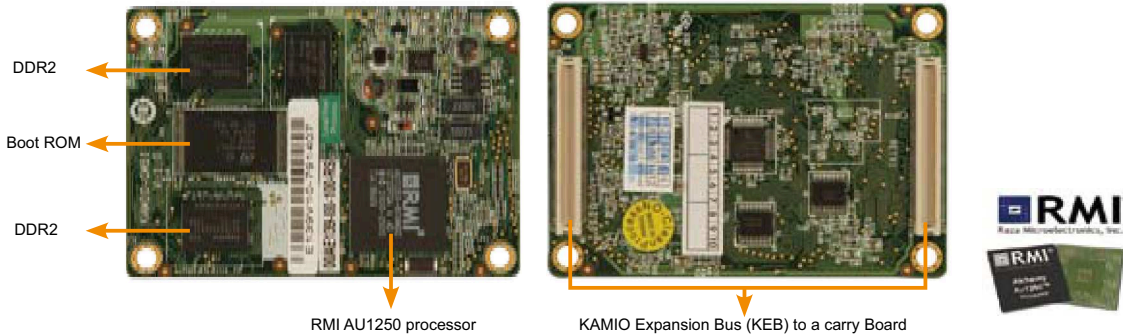


KAMIO-CM51 *RMI Alchemy™ AU1250 RISC-based Computer-on-Module board with Media Acceleration Engine for MPEG 1, MPEG 2, MPEG 4 and WMV 9*



Features

- Full-featured Computer-on-Module
- 500 MHz Alchemy™ AU1250
- Preinstalled Windows® CE 5.0 embedded OS
- Support three internal memory and boot up options
 Dufault: 2 MB boot ROM for boot loader and 128 MB CF card in carry board for embedded OS and user programs/data.
 OEM options: 32 MB or 64 MB Strata NOR Flash (boot loader + OS) or, 2MB boot ROM for boot loader and 64 MB or 128 MB M-System G3 DOC (Disk on chip) for embedded OS and user programs/data.
- Embedded power management IC requires only a single power supply and all additional voltages are generated on board.
- I/O expansion connects to a carry board with I/O fuctions and connectors.
- Media Acceleration Engine supports MPEG 1, MPEG 2, MPEG 4 and WMV 9

Applications

- Small form factor Computer-on-Module design to stand on an OEM carry board for adaptation to various applications.
- KAMIO Expansion Bus (KEB) for a carry board to provide diversified I/O functions, such as Ethernet, Wireless LAN, Full 2.0B CAN, USB host/client, Serial Ports, audio, LCD display, storage media, digital I/O, and additional expansion devices.
- Several IEI standard COTS (commercial off-the-shelf) carry boards are provided for fast system intergration and application device development.
- Embedded Linux is provided based on OEM service.

Ordering Information

Part No.	Description
KAMIO-CM51-R10	IEI 500 MHz Alchemy™ AU1250 Computer-on-Module board

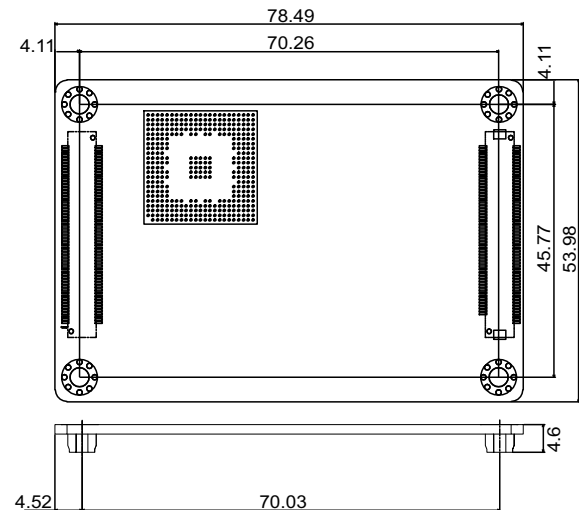
Packing List

KAMIO-CM51	1 x KAMIO-CM51 Computer-on-Module board 1 x User manual
------------	--

Specifications

- CPU: 500 MHz Alchemy™ AU1250
- Boot ROM: 2 MB boot flash
- RAM: 128 MB DDR2
- CPLD: Lattice LC4064V, control logics for interrupts, PC card, and hardware registers
- Power IC: LINEAR LTC3555
- Power Requirement: 0.5 A @ 5 V (max.)
- Operating Temperature: 0°C ~70°C
- KAMIO Expansion Bus (KEB) Rev1.1:
two 120-pin female Aces 88078-120 (100V/0.5A, Pitch = 0.5mm) connector, with a total of 240 pins to connect with two male connectors on a carry board.

Dimensions (Unit : mm)



- 1 Application Server Platform
- 2 Single Board Computer
- 3 IBX Series POS PC
- 4 AFOLUX POS Panel PC
- 5 Video Capture Card
- 6 KAMIO RISC
- 7 IOVU Open HMI
- 8 VITO Universal Controller
- 9 DINO BLADE
- 10 LCD Product Series
- 11 Embedded System
- 12 Industrial Computer Chassis
- 13 Power Supply
- 14 Peripherals