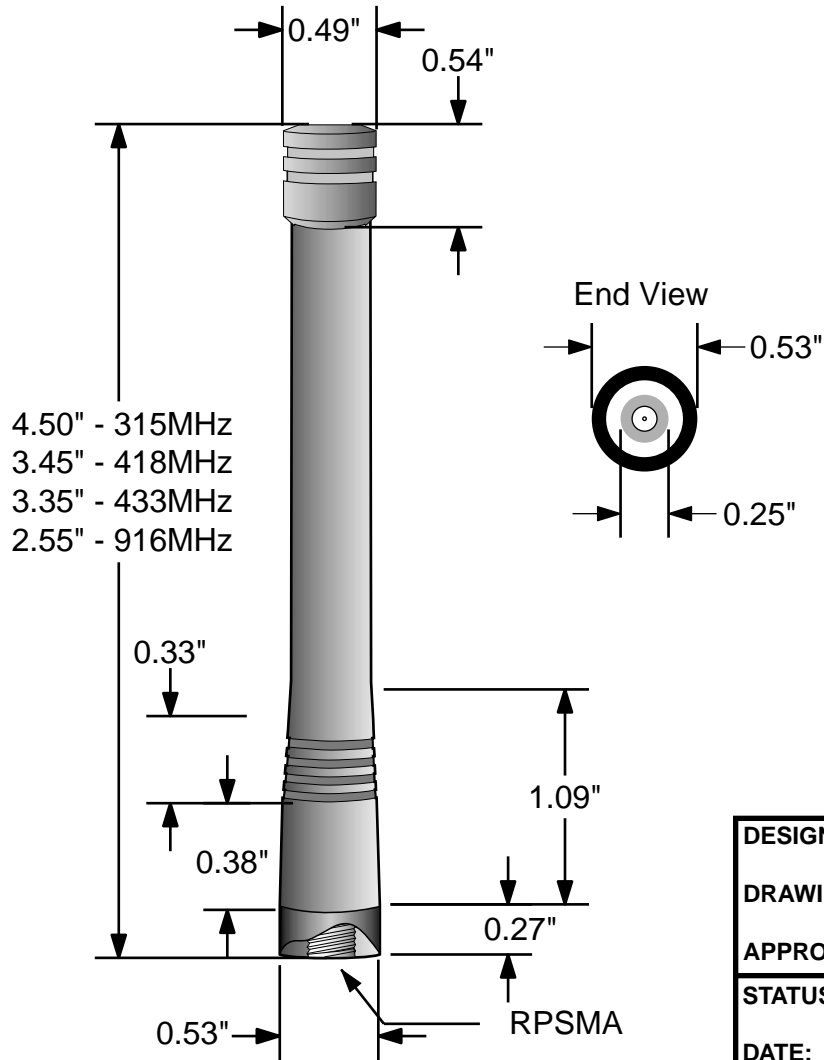


ZONE	REV	DESCRIPTION	DATE	APPROVED
------	-----	-------------	------	----------



DESIGN: <u>A/D</u>	LINX TECHNOLOGIES			PHONE: 541-471-6256
DRAWING: <u>CG</u>	575 S.E. Ashley, Pl.			FAX: 541-471-6251
APPROVED: <u>CG</u>	Grants Pass, OR 97526			www.linxtechnologies.com
STATUS: <u>DRAFT/APPROVED</u>	TITLE HD Series Antenna Spec Sheet			
DATE: <u>Pending</u>	SIZE	FSCM NO.	DWG NO.	
SERIES NUMBER HD	A			
PART NUMBER ANT-***-HD	SCALE		SHEET	
PATH				