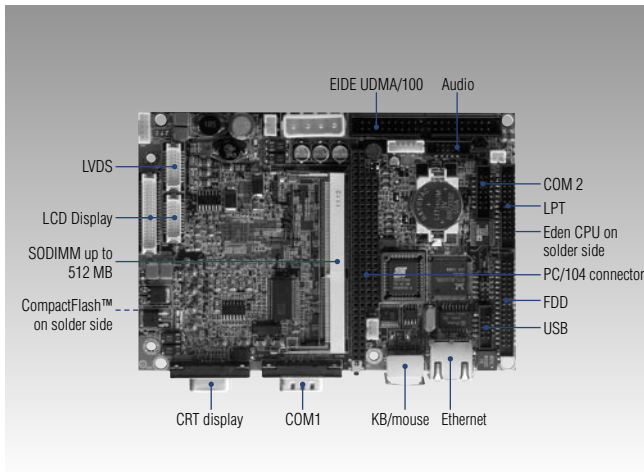


# PCM-9372

## Low Power VIA Eden SBC with CPU, Audio, VGA/LCD and Ethernet



### Specifications

- **CPU** Embedded VIA low power Eden 400/667 or VIA C3-LP 1G processor, 128KB L1 cache memory on die
  - **System Memory** SDRAM 144-pin SODIMM x 1, Max. 512 MB PC133 SODIMM for all model, optional PC100 SODIMM for PCM-9372-J0A1
  - **2nd Cache Memory** 64 KB on the Eden processor
  - **System Chipset** VIA PN133T (VT8606, VT82C686B, 133 MHz FSB)
  - **BIOS** AWARD 256 KB Flash BIOS
  - **SSD** CompactFlash™ card Type I/II
  - **Watchdog Timer** 1 - 62 sec, 62 level timer intervals system reset or IRQ11
  - **Expansion Interface** PC/104
  - **Battery** Lithium 3 V/196 mA
- I/O**
- **MIO** 1 x EIDE (Ultra DMA100), 1 x FDD, 1 x K/B, 1 x Mouse, 1 x RS-232/422/485, 1 x RS-232, 1 x LPT
  - **IrDA** 115 Kbps, IrDA 1.1 compliant
  - **Audio** VIA 82C686 support AC'97 2.0 compliant, Mic-in, Line-in, Line-out
  - **USB** 2 USB ports, USB 1.1 compliant
- Ethernet**
- **Chipset** RealTek RTL8100
  - **Interface** IEEE 802.3u 100BASE-T Fast Ethernet compatible  
Built-in boot ROM in Flash BIOS
- Display**
- **Chipset** VIA VT8606 Twister chip with Integrated S3 Savage4 2D/3D/Video Accelerator

### Features

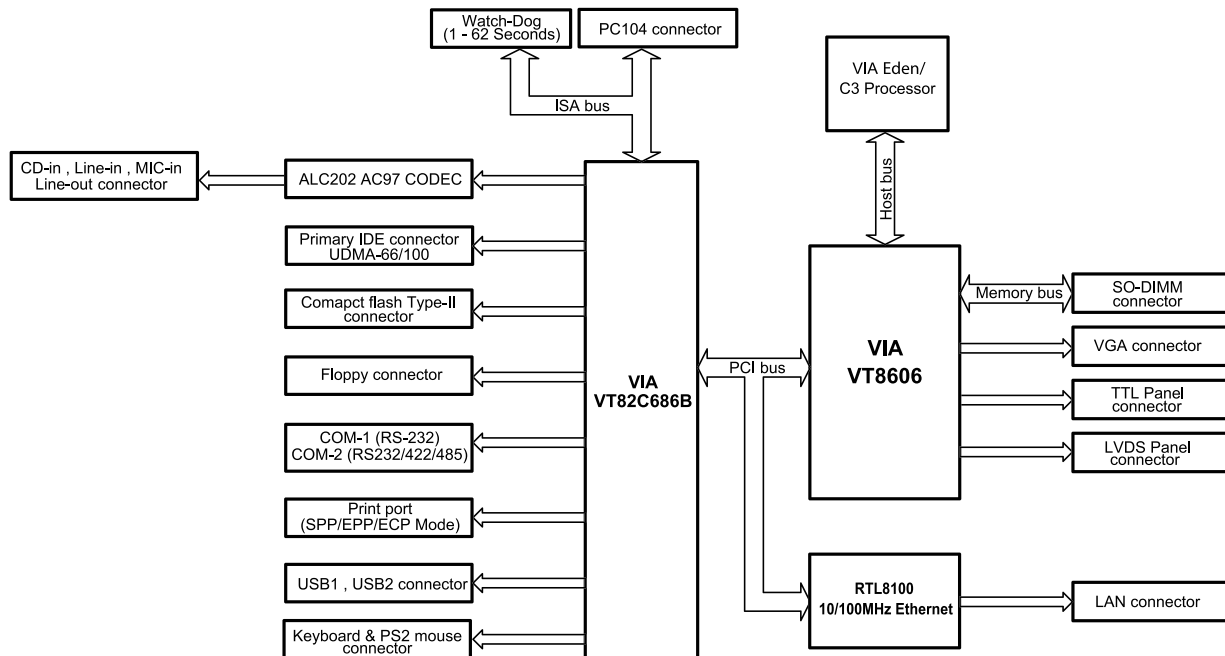
- Embedded low power VIA Eden 400/667 MHz or VIA C3-LP 1G processor
- Fanless, 0 ~ 60° C operation (Eden 400/667)
- Supports LCD backlight turn-off function
- 100/133 MHz FSB and 4x AGP graphics for high performance applications
- 2 Channel LVDS interface

- **Memory Size** 8/16/32 MB frame buffer using system memory
- **Resolution** CRT Mode:1280 x 1024@16 bpp (60 Hz), 1024 x 768@ 16 bpp (85 Hz) LCD/Simultaneous Mode:1280 x 1024@ 16 bpp (60 Hz), 1024 x 768@16 bpp (60 Hz)
- **LCD Interface** 4x AGP VGA/LCD interface, Support for 9,12, 18, 24, 36-bit TFT and 16 or 24-bit DSTN panels up to SXGA resolution
- **LVDS** 2-Channel ( 2 x 18-bit) LVDS interface
- **TV-out (optional)** Supports both NTSC/PAL, S-video and Composite Video via PCM-232 TV-out module

### Mechanical and Environmental

- **Dimension (L x W)** 145 mm x 102 mm (5.7" x 4")
- **Power supply Voltage** +5 V ± 5%, +12 V ± 5%  
Max. : 4.5 A @ +5 V, 1.3 A @ +12 V (Within 5 ms after power on)  
Typical: 2.08 A @ +5 V, 0.08 A @ +12 V (with 128 MB DRAM, Eden 400 MHz CPU)  
2.33 A @ +5 V, 0.08 A @ +12 V (with 128 MB DRAM, Eden 667 MHz CPU)
- **Operating temperature** 0 ~ 60° C (32~140° F)
- **Operating Humidity** 0% ~ 90% Relative Humidity, non condensing
- **Weight** 0.85 kg (weight of total package)

## Board Diagram



## Packing List

- 1 PCM-9372 SBC
- 1 Mini Jumper pack [conts.: 10pcs] (p/n: 9689000002)
- 1 3.5" IDE flat cable 40-pin to 40-pin (p/n:1701400452)
- 1 keyboard/ PS2 mouse cable (p/n:1700060202)
- 1 second serial port cable (p/n:1701140201)
- 1 parallel port cable (p/n:1700260250)
- 1 FDD cable for 3.5" FDD only (p/n:1701340603)
- 1 Audio cable (p/n:1703100152)
- 1 USB cable (p/n:1703100121)
- Start up manual
- Utility CD

## Ordering Information

### Standard

- **PCM-9372F-J0A2** VIA Eden 3.5" SBC w/ VIA Eden-400 MHz CPU, VGA/LCD, LVDS, Ethernet, Audio and SSD
- **PCM-9372F-M0A2** Same as PCM-9372F-J0A2, but with Eden 667 MHz CPU
- **PCM-9372F-S1A2** Same as PCM-9372F-J0A2, but with C3-LP 1GHz CPU

### Optional

- **1703200201** ATX power control cable
- **PCM-232-00A1** TV-out module for PCM-9372
- **MBPC-200-9372** MicroBox 3.5" Biscuit SBC chassis for PCM-9372