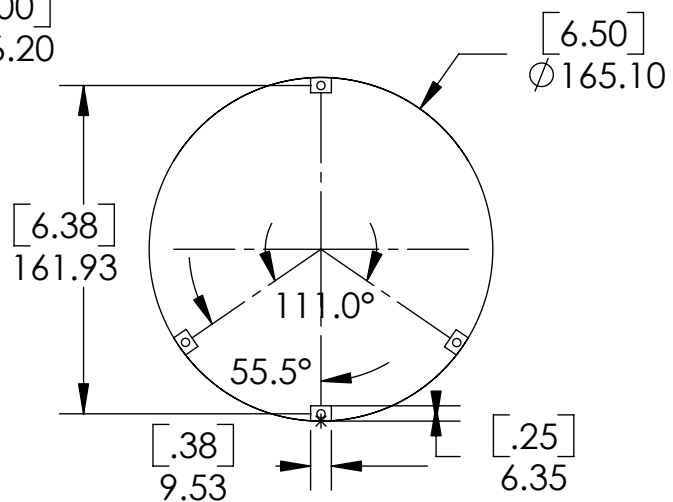
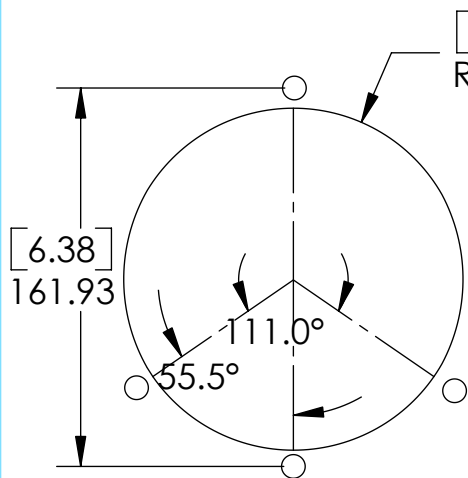


RECOMMENDED CUTOUTS

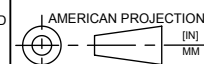
INLET (PROP) SIDE

EXHAUST (SPIDER) SIDE



CONTACT INFO:
WWW.COMAIRROTRON.COM SALES@COMAIRROTRON.COM

TOLERANCE UNLESS OTHERWISE SPECIFIED
2 PL. DEC. ± .03 [.8]
3 PL. DEC. ± .010 [.25]
ANGULAR ± 30°



(619) 661 - 6688

3D MODEL FOUND AT..

FALCON AC