

Nano-ITX Series

VIA EPIA NL

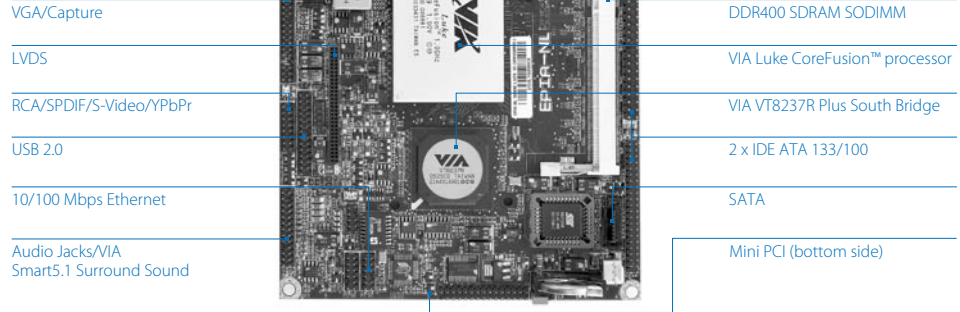
Nano-ITX Luke Board with
Low-Profile Design and
MPEG-2 & 4 & HDTV

Features

- Integrated VIA UniChrome™ Pro AGP graphic with MPEG-2/4 decoding acceleration
- Low profile design: All back panel I/O in pin header format
- Supports HDTV resolution
- SCART output pin header
- COM port pin header



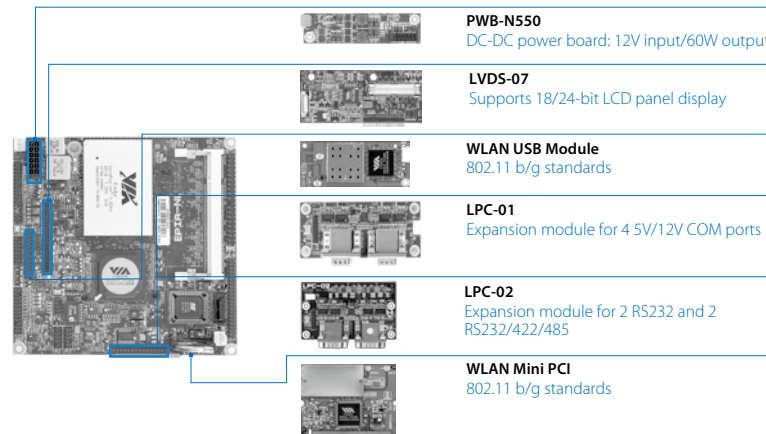
Board Placement



Specifications

| Model Name | EPIA NL10000G | EPIA NL8000EG | EPIA NL5000EG |
|---|--|---|---|
| Core Logic | 1.0GHz VIA Luke VIA VT8237R Plus South Bridge | 800MHz VIA fanless Luke VIA VT8237R Plus South Bridge | 500MHz VIA fanless Luke VIA VT8237R Plus South Bridge |
| System Memory | 1 x DDR400/333/266 SODIMM socket Up to 1GB memory size | | |
| VGA | Integrated VIA UniChrome™ Pro AGP graphics with MPEG-2/4 decoding acceleration | | |
| Expansion Slot | 1 x Mini PCI slot | | |
| Onboard IDE | 2 x UltraDMA 133/100/66 connectors (secondary 2.0 mm 44-pin header) | | |
| Onboard Serial ATA | 1 x SATA connector | | |
| Onboard LAN | 1 x VIA VT6103L 10/100 Mbps Ethernet controller | | |
| Onboard Audio | VIA VT1617A 6 channel AC'97 Codec | | |
| Onboard TV Out | VIA VT1625M HDTV Encoder | | |
| Onboard I/O Connectors | 1 x USB connector for 8 additional USB 2.0 ports 1 x Connector for COM port, SIR and LPC 1 x CIR connector (switchable for KB/MS) 1 x LVDS module connector, for 18/24-bit dual channel LVDS panel (an add-on card is required) 1 x TV out connector for S-Video, Composite, and Component (YPbPr/SCART/D-Terminal) 1 x Connector support 10/100Mbps Ethernet 1 x Connector for CRT VGA output, SMBUS, and CAPO 1 x Audio connector for Line-out, Line-in, Mic-in, CD-in and S/PDIF out 2 x Fan connectors for CPU and system fans 1 x Nano-ITX power connector | | |
| BIOS | Award BIOS 4/8Mbit flash memory | | |
| Operating System | Windows XP, Linux, Win CE, XPe | | |
| System Monitoring & Management | CPU temperature monitoring CPU voltage monitoring FAN control Watch Dog Timer Wake-on LAN, Keyboard Power-on, Timer Power-on System power management AC power failure recovery | | |
| Operating Temperature | 0°C - 50°C | | |
| Operating Humidity | 0% ~ 95% (relative humidity; non-condensing) | | |
| Form Factor | Nano-ITX (8-layer) 12 cm x 12 cm | | |

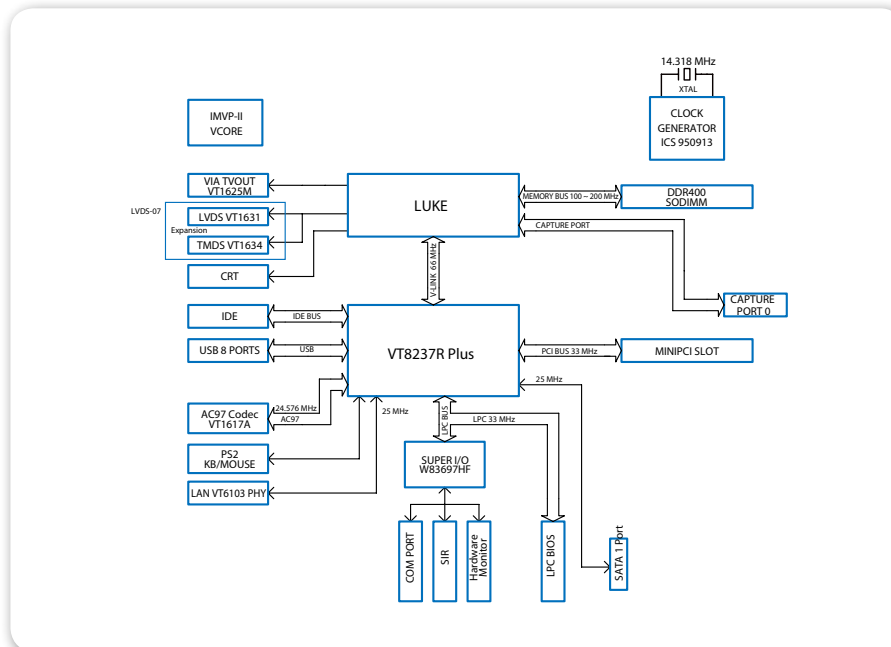
Accessories



Ordering Information

| Model Name | CPU Frequency | Description |
|------------|---------------|--|
| NL10000G | 1.0GHz Luke | Nano-ITX Board with 1.0GHz Luke Processing Unit, VGA, USB, LAN, LVDS, TV-out, SCART, COM, IDE & SATA |
| NL8000EG | 800MHz Luke | Nano-ITX Fanless Board with 800MHz Luke Processing Unit, VGA, USB, LAN, LVDS, TV-out, SCART, COM, IDE & SATA |
| NL5000EG | 500MHz Luke | Nano-ITX Fanless Board with 500MHz Luke Processing Unit, VGA, USB, LAN, LVDS, TV-out, SCART, COM, IDE & SATA |

Block Diagram



Packing List

| Items |
|-------------------------------------|
| 1 x ATA-66/100/133 IDE ribbon cable |
| 1 x LAN cable |
| 1 x VGA cable |
| 1 x PS2 cable |
| 1 x USB cable |
| 1 x Power cable |
| 1 x General installation guide |
| 1 x Driver Utility CD |