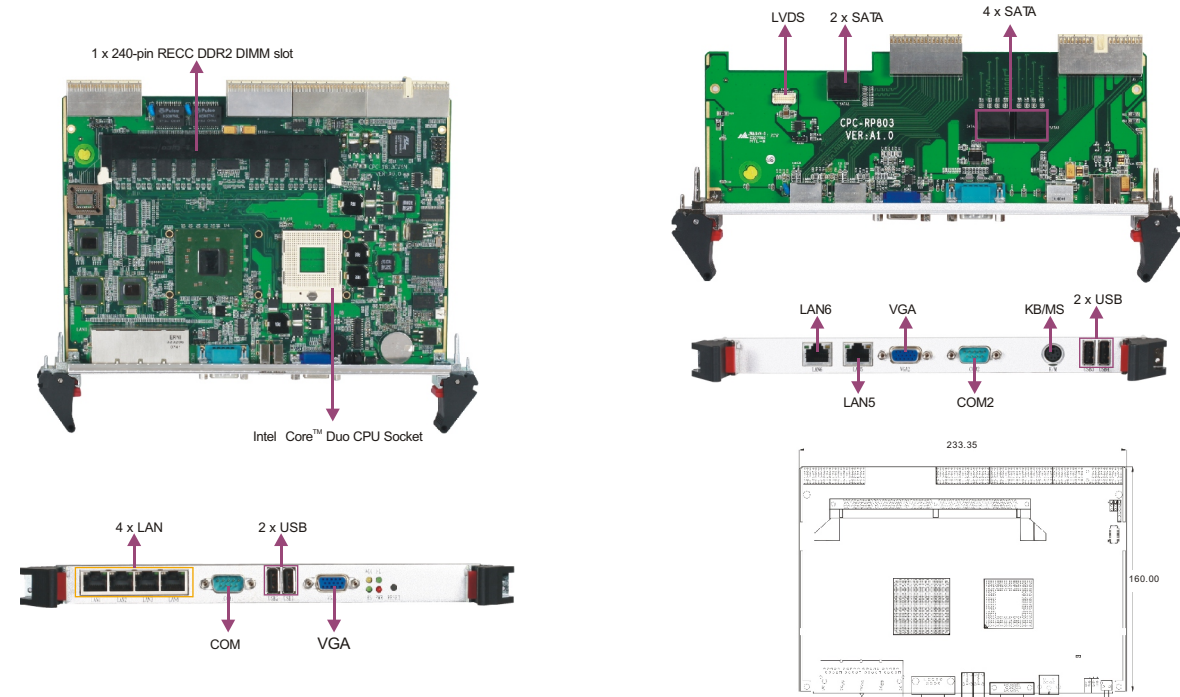
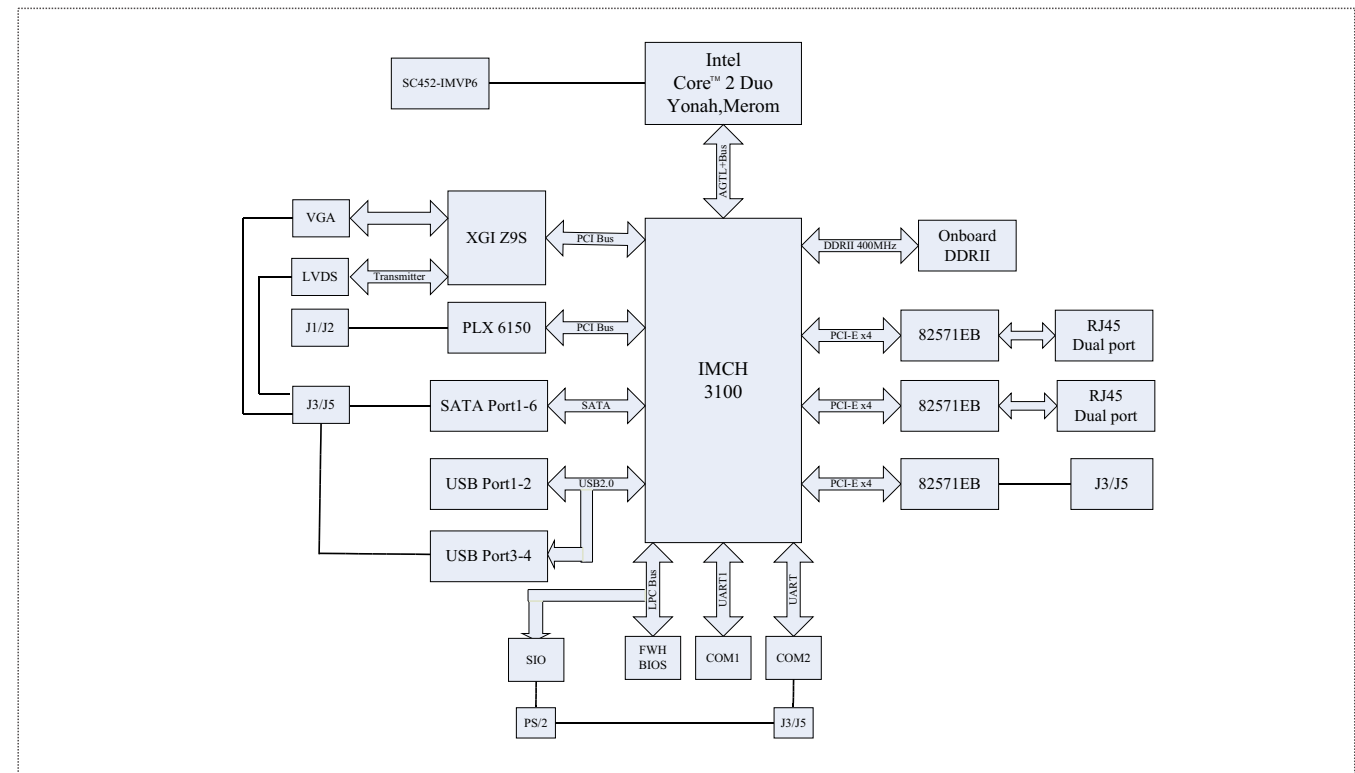


# CPC-1813CV6N

Intel® LV Core™ 2 Duo CompactPCI Boards with VGA/6GbE



## Board Diagram



- 1 Full-Size/Half-Size Slot CPU Cards
- 2 SBC/Motherboard/Modules
- 3 Embedded Box PC
- 4 Network Application Computers
- 5 Industrial PC
- 6 HMI
- 7 EVOC Rugged Series
- 8 MCC Series
- 9 Chassis
- 10 Data Acquisition Boards & Modules
- 11 Accessories

- 1 Full-Size/Half-Size Slot CPU Cards
- 2 SBC/Motherboard/Modules
- 3 Embedded Box PC
- 4 Network Application Computers
- 5 Industrial PC
- 6 HMI
- 7 EVOC Rugged Series
- 8 MCC Series
- 9 Chassis
- 10 Data Acquisition Boards & Modules
- 11 Accessories

## Features

- Onboard Intel® LV/ULV Core™ 2 Duo processor
- Supports DDR2 400 RECC memory up to 2GB
- Supports 6 x PCI-E/Intel®10/100M/1000Mbps Ethernet interface
- Supports VGA+LVDS simultaneous dual display
- PICMG 2.16 Packet Switching specification compliant
- PICMG 2.5 R1.0 H.110 CompactPCI Computer Telephony Specification
- PICMG 2.1 R2.0 Hot Swap specification compliant
- PICMG 2.0 R3.0 CompactPCI specification compliant
- Selectable 6U rear I/O board: CPC-RP803



## Specifications

System		
Processor	Onboard Intel® ULV Core™ Duo U2500(1.2GHz, 2M L2 cache, 533MHz FSB) processor(Optional Intel® ULV Core™ 2 Duo U7500/ 1.06GHz /2M L2 Cache/533MHz FSB Mobile processor; Intel® LV Core™ 2 Duo L7400/ 1.5GHz /4M L2 cache/667MHz FSB mobile processor)	
Chipset	Intel® 3100 single chipset	
Memory	Onboard 1GB DDR2 400 RECC memory(optional 2GB), 1 x 240-pin DDR2 memory slot, supporting up to 4GB in all	
Hardware Monitor	Monitors system status, voltage, temperature and fan speed etc.	
Watchdog Timer	1~255 sec./min. timer system reset or interrupt, setup by software	
Expansion Interface	PICMG2.0 R3.0, PICMG2.1 R2.0, PICMG2.5(R1.0 H.110), PICMG2.11 R1.0, PICMG2.16, IPVMI 1.5	
Storage Interface		
	CPC-1813CV6N	CPC-RP803
Serial ATA	N/A	6 x Serial ATA150MB/s interface
SAS	N/A	N/A
CF	N/A	N/A
I/O Interface		
USB	2 x USB2.0 port	2 x USB2.0 port
Serial Port	1 x Rs232 (Db9 port)	1 x RS232 (Db9 port)
PMC	N/A	N/A
Display Port	1 x VGA	1 x VGA, 1 x LVDS
Audio	N/A	N/A
KB/MS	N/A	1 x PS/2(KB/MS) Port
Ethernet		
Chipset	3 x Intel® 82571EB Dual-Port Gigabit Ethernet Controller	N/A
Connector	4 x RJ45 Giga port	2 x RJ45 Giga port

Display	
Chipset	Onboard XGI Volari™ Z9S graphics controller
Memory	Onboard 32MB DDR2 independent graphics memory
Resolution	VGA mode up to 1600 x 1200 @75Hz Supports 12-bit/18-bit or dual 12-bit LVDS display interface
Dual Display	Supports CRT+LVDS dual display
Mechanical and Environmental	
Dimensions	CPC-1813CV6N: 233mm(6U) x 161.51mm x 4HP(1-slot width) CPC-RP803: 233.35mm(6U) x 81.5mm x 4HP(1-slot width)
Operating Temperature	-15°C~60°C
Storage Temperature	-20°C~75°C
Operating Humidity	5%-95%, non-condensing
Power	
Power Supply	Supports CPCI and ATX power supply
Power Consumption	Typical 39W(CPU: Intel® U2500 1.2GHz, Memory: 3G DDR2 RECC400 )
Operating System	
Windows OS	Windows XP/Windows 2003
Embedded OS	Linux

## Available Accessories

Part Number	Name	Description	Qty.
N/A	Setup Guide/RoHS	AMI/BIOS Setup Guide (for Core/8)	1
N/A	User Manual/RoHS	CPC-1813CV6N	1
N/A	Driver CD/protective film/RoHS	CPC-1813CV6N	1
2360-005031	Y-cable for keyboard and mouse/RoHS	One Mini-DIN port to two PS/2 ports, length: 250mm/RoHS	1
2360-018021	SATAHDD cable/RoHS	SATA7Pin(female)/with metal spring piece/L=550	2
2360-019141	SATAHDD cable/RoHS	SATA7 Pin (female)/L=500mm/comes with outsourced motherboard	1

## Related Product

Item	Typical Recommendation
CPCI Chassis	CPC-8202, CPC-8203, CPC-8402, CPC-8403, CPC-8404
Rear I/O Board	CPC-RP803

## Ordering Information

Part Number	Model Number	Description
0030-003190	CPC-1813CV6N	Motherboard/Core2 U7500 1.06G
0030-003200	CPC-1813CV6N/1.2G	Motherboard/Core2 U2500 1.2G
0030-003210	CPC-1813CV6N/1.5G	Motherboard/Core2 L7400 1.5G
0060-001180	CPC-RP803	Rear I/O Board
0060-002340	CPC-RP803/ conformal coating	Rear I/O Board