

# MIL-3000 / MIL-2000

Pentium III-based Multi-slot Portable Workstation with 15"/12.1" TFT LCD

Portable Workstation

ARBOR



## Features

CE FCC ...

- \* LVDS support
- \* Detachable Keyboard with Touchpad/ Trackball
- \* 8-slot PICMG Passive Backplane
- \* Ruggedized Hardcoated Layer

## Specifications

### System

- **CPU:** Intel® Pentium® III / Celeron™ up to 1 GHz, FSB 133MHz
- **Memory:** Up to 1.5GB PC-133 SDRAM  
Three 168-pin DIMM sockets
- **Chipset:** VIA ProSavage™ PL133 (VT8604 Northbridge and VT82C686B Super Southbridge)
- **VGA:** VIA VT8604, integrated 4x AGP S3® Savage4™ 3D and S3® Savage 2000™ 2D engines
- **VRAM:** 32 MB shared memory
- **Network:** Realtek RTL 8139C, 10/100 Mbps, autoswitching
- **Audio:** Optional AC97 3D Audio
- **EIDE:** UltraDMA 100/66/33
- **Watchdog Timer:** 128-level
- **Weight:**

<b>MIL3000</b>	<b>MIL2000</b>
12.5 Kgs	9.5 Kgs
- **Dimension (W x H x D):** 425 x 285 x 232 mm  
17.1 x 11.2 x 9.1 inch
- **Construction:** AL-6000, 6063-T6, aluminum alloy with hard anodized MIL-A-8625D
- **Color:** Gray

### LCD Display

- **Size / Type:**

<b>MIL3000</b>	<b>MIL2000</b>
15" TFT Color LCD	12.1" TFT Color LCD
- **Max. Resolution:**

<b>MIL3000</b>	<b>MIL2000</b>
1024 x 768, XGA	800 x 600, SVGA
- **Max. Colors:** 262 K
- **LVDS :** YES

### Storage

- **HDD / Type:** 1x 3.5" disk drive
- **FDD / Type:** One built-in 3.5" FDD
- **CD-ROM / Type:** 1x Slim-type CD-ROM, 24x or above
- **Flash Disk:** 1x DiskOnChip socket up to 288 MB

### Multi I/O

- **Serial Ports:** 1x RS-232, 1x RS-232/422/485
- **USB:** Two (12Mb/s, 1.5 Mb/s)
- **Parallel:** 1x SPP/EPP/ECP
- **Keyboard/ Mouse:** 1x PS/2 KB/Mouse

## Ordering Information

### MIL-2000-2211

Portable Workstation with 12.1" Color TFT SVGA LCD, PBPI-8SA Passive Backplane, 88-Key keyboard with TouchPad, 200 W Power Supply and Carrying Bag

### MIL-2000-2111

Portable Workstation with 12.1" Color TFT SVGA LCD, PBPI-8SA Passive Backplane, 105-Key Keyboard with Trackball, 200 W Power Supply and Carrying Bag

### MIL-3000-3111

Portable Workstation with 15" Color TFT XGA LCD, PBPI-8SA Passive Backplane, 105-Key Keyboard with Trackball, 300 W Power Supply and Carrying Bag

### MIL-3000-3211

Portable Workstation with 15" Color TFT XGA LCD, PBPI-8SA Passive Backplane, 88-Key Keyboard with Touchpad, 300 W Power Supply and Carrying Bag

- **VGA:** DB-15 connector
- **LAN:** 1x RJ-45
- **Audio:** Optional Mic-in, Line-in, Line-out

## Keyboard

- **Keyboard with Trackball:** 105-key alternate layout Keyboard with Trackball on right side under number block. Both keyboard and trackball have a PS/2 interface
- **Keyboard with Touchpad:** 88-key alternate layout Keyboard with Touchpad on right side under number block. Both keyboard and touchpad have a PS/2 interface

## Backplane Options:

Model Name	System	Amount of Slot	Power
PBI-8SA	Single	8 ISA	P8/P9, ATX
PBPI-8SA	Single	3 ISA / 4 PCI / 2 PICMG	P8/P9, ATX

## Power Supply Options:

### AC/DC ATX Type

Model Name	Watt	Input	Output	Mini-load
IPS-MPW-6200F (for non PFC)	200 (ATX)	95~265VAC @ 47 ~ 63 Hz Auto-switching	+3.3 V @ 14 A, +5 V @ 25 A, +12 V @ 8 A, -5 V @ 0.5 A, -12 V @ 0.5 A, +5 Vsb @ 1.5 A	+5 V @ 3 A, +12 V @ 2 A, +3.3 V @ 1 A
IPS-P2U-6300P	300 (ATX)	95~265VAC @ 47 ~ 63 Hz Auto-switching	+3.3 V @ 20 A, +5 V @ 35 A, +12 V @ 16 A, -5 V @ 0.5 A, -12 V @ 1 A, +5 Vsb @ 1.2 A	+5 V @ 3 A, +12 V @ 0.5 A, +3.3 V @ 1 A

### DC/DC ATX Type

Model Name	Watt	Input	Output
IPS-D1U-6150F	150	-42 ~ -56 VDC, 6.0 A (RMS) @ -42 VDC	+3.3 V @ 10 A, +5 V @ 18 A, +12 V @ 6 A, -5 V @ 0.1 A, -12 V @ 1 A, +5 Vsb @ 1.5 mA
IPS-B1U-6150F	150	-20 ~ -28 VDC, 10 A (RMS) @ -24 VDC	+3.3 V @ 10 A, +5 V @ 18 A, +12 V @ 6 A, -5 V @ 0.5 A, -12 V @ 1 A, +5 Vsb @ 1.5 mA
IPS-D2U-6300F	300	-42 ~ -56 VDC, 12.0 A (RMS) @ -48 VDC	+3.3 V @ 20 A, +5 V @ 34 A, +12 V @ 14 A, -5 V @ 0.5 A, -12 V @ 1 A, +5 Vsb @ 1.5 A

## Environmental

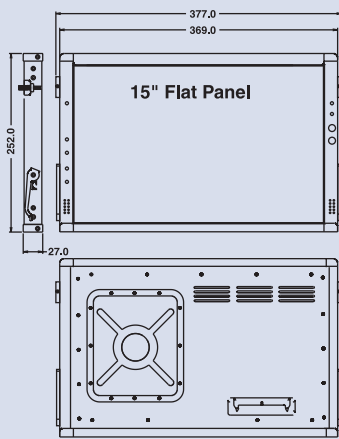
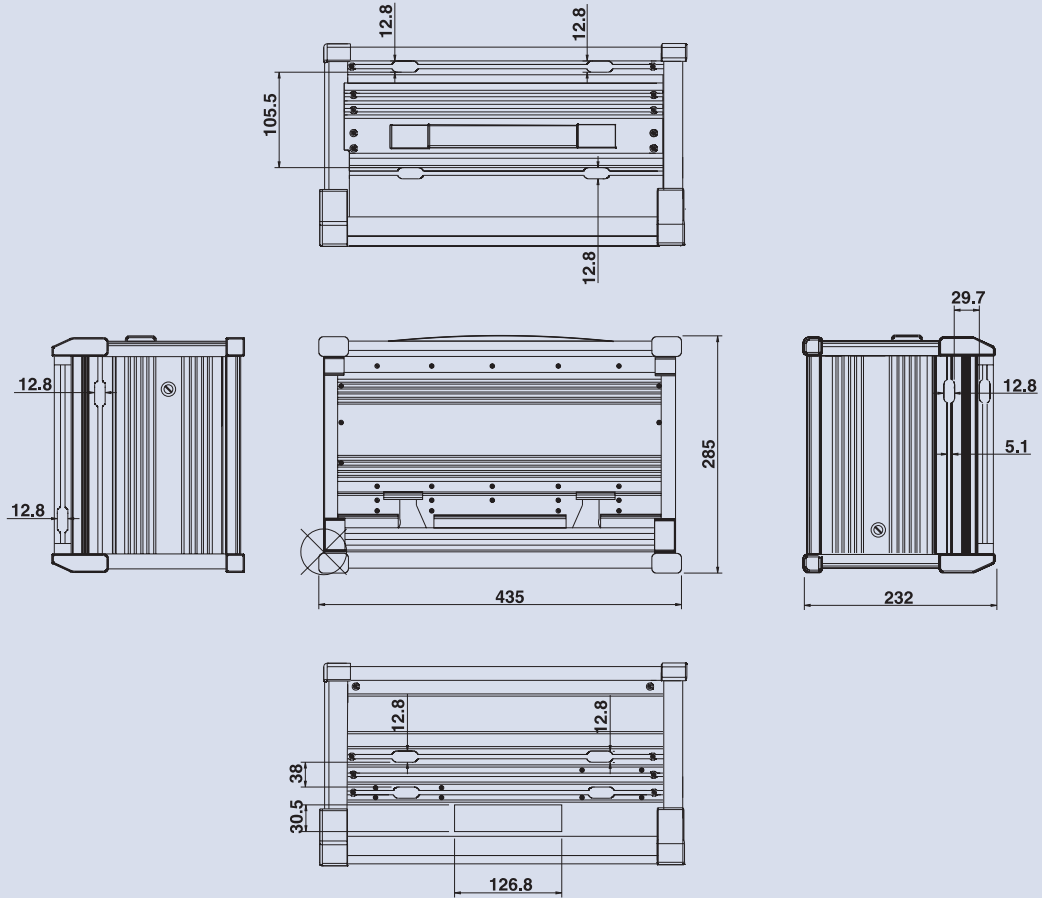
- **Operation Temp.:** 0 to 50°C
- **Storage Temp.:** -20 to 60°C
- **Altitude:** 3000 m (10,000 ft)
- **Vibration:** 5 ~ 17 Hz, 0.1 inch, 17 ~ 50 Hz, 1.5 G acceleration (non-operating); 17 ~ 500 Hz, 1.5 G acceleration (operating)  
Shock: 10G / peak (11 msec)
- **Cooling Fan:** 2x 42.5 CFM ballbearing fans, 3200 rpm, 80 x 80 x 25 mm
- **EMI/RF:** An electrical conductive layer is added to the hardcoated aluminum chassis and its parts to provide the chassis with a electrical conductive shield. Its standard resistivity level of 500 ohms/square inch enables the chassis to provide the necessary EMI attenuation to pass FCC and CE requirements.

# Dimensions for MIL-Series

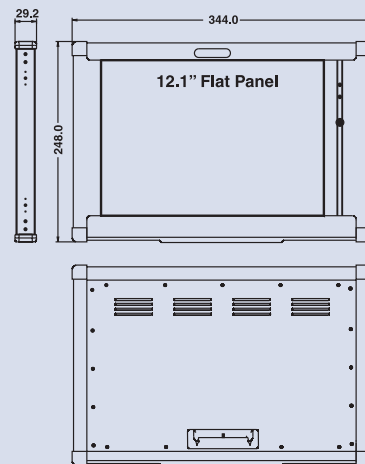
Portable Workstation

ARBOR

## Main Console



MIL-3000 Display Panel



MIL-2000 Display Panel