

# EC220/221 SERIES

## Embedded System



### Features

- Fanless, compact design for industrial applications
- Intel® Atom™ D525 and ICH8M
- Supports DDR3 SODIMM; up to 4GB
- 1 2.5" SATA drive bay, 1 CF socket
- - LR6880: 1 VGA, 2 LAN, 8 USB, 6 COM, 8-bit GPIO  
- LR6G60: 1 VGA, 2 LAN, 6 USB, 6 COM, 16-bit GPIO  
- LRA060: 1 VGA, 2 LAN, 6 USB, 10 COM
- PCIe x1 and PCI expansions

### System Specifications

#### Processor System

- CPU: Intel® Atom™ D525
  - dual-core, 1.8GHz, 1M cache
- Chipset: Intel® ICH8M

#### Memory

- 2 DDR3 800MHz SODIMM sockets
- Supports up to 4GB memory
- Single channel memory interface

#### Graphics

- Intel® GMA 3150
- Display resolution up to 2048x1536 @ 60Hz
- Display output: 1 VGA

#### Storage

- HDD
  - 1 2.5" SATA drive bay
- SSD
  - 1 CompactFlash socket
  - Supports 1 mSATA module via the mini PCIe socket

#### Ethernet

- 2 Realtek® RTL8111DL Gigabit Ethernet controllers

#### Audio

- Realtek ALC262 High Definition Audio
- 2 watt, 4Ω power amplifier

#### I/O Ports

- Front Panel
  - 1 HDD LED and 1 Alert LED
  - 1 Power switch and 1 Reset switch
  - 4 USB ports
- Rear Panel
  - 1 Power LED, 1 HDD LED and 1 Alert LED
  - 1 Reset switch
  - Power jack: 3-pole Phoenix terminal block
  - Speaker-out: 3.5mm audio jack
  - DB-15 VGA: 15-pin D-sub
  - LAN with LEDs
  - COM RS232/422/485: 9-pin D-sub or terminal block
  - USB 2.0
  - GPIO: 9-pole terminal block

#### Expansion

- EC220 series
  - 2 PCI slots
  - 1 mini PCIe x1 slot
- EC221 series
  - 1 PCI slot
  - 1 PCIe x1 slot
  - 1 mini PCIe x1 slot

#### Power

- Power type
  - Power adapter
    - : AC input: 100-240V, 1.8A, 50-60Hz
    - : DC output: 19V, 3.15A
- Power input voltage
  - +19-24V DC

#### Environment

- Temperature
  - Operating: 0°C ~ 50°C
  - Storage: -20°C ~ 70°C
- Relative Humidity
  - 10% to 90% non-condensing

#### Construction

- Aluminum + SECC

#### Mounting

- Wall/VESA mounting kit (brackets and screws) - optional

#### Dimensions

- 275mm x 110mm x 203mm (W x H x D)

#### Weight

- 3.6 kg

#### OS Support

- Windows 7, Windows XP SP3, Windows XP Embedded, Linux

#### Other Features

- Watchdog Timer function

#### Certification

- CE
- FCC Class A

### System Models

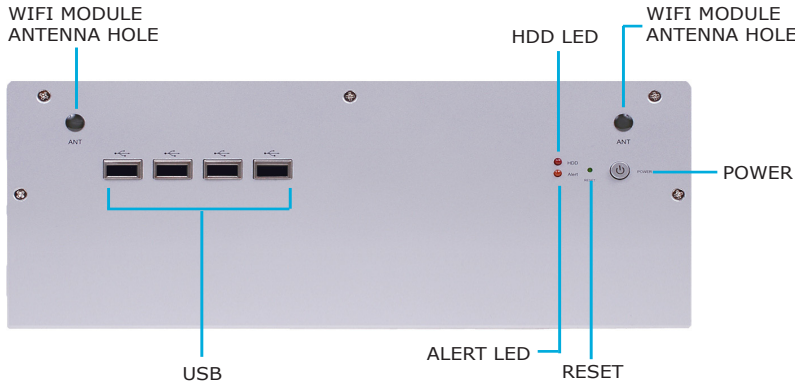
Rear I/O Ports	EC220/221-LR6880	EC220/221-LR6G60	EC220/221-LRA060
Power jack	1	1	1
Speaker-out	1	1	1
VGA	1	1	1
LAN	2	2	2
COM DB-9	4	6	4
COM 9-pole terminal block	2	0	0
COM 5-pole terminal block	0	0	6
USB	4	2	2
GPIO 9-pole terminal block	1	2	0

# EC220/221 SERIES

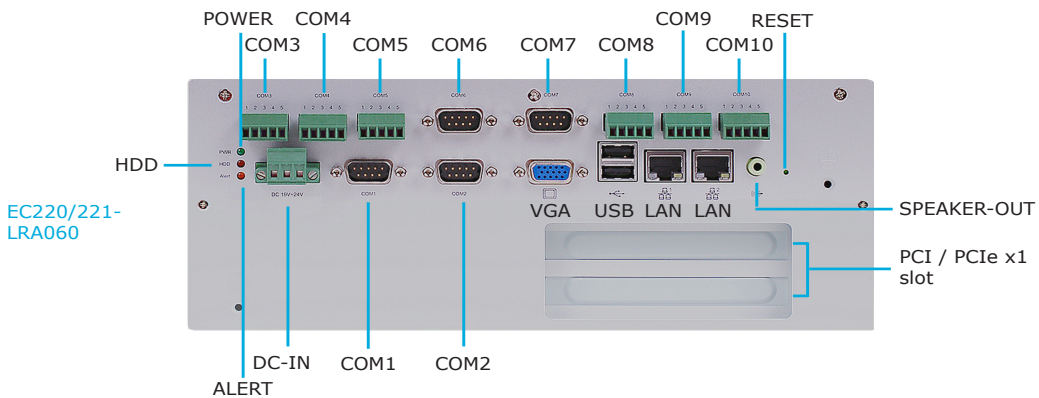
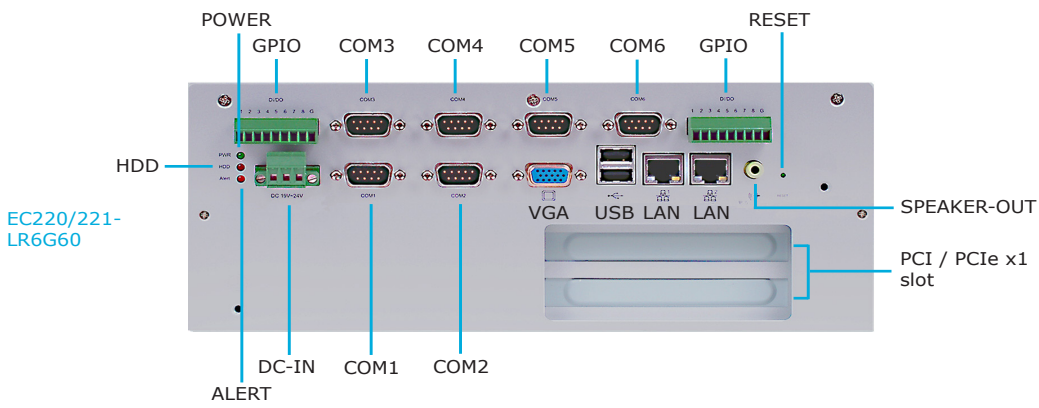
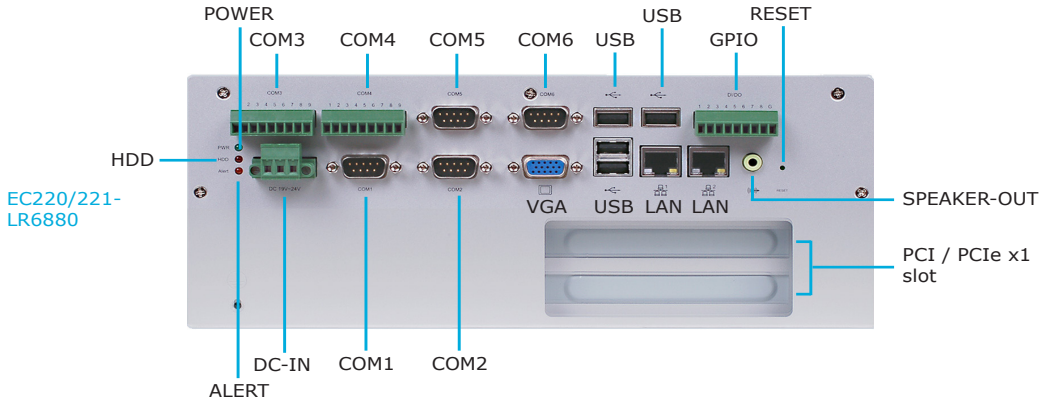
Embedded System



## Front Panel



## Rear Panel

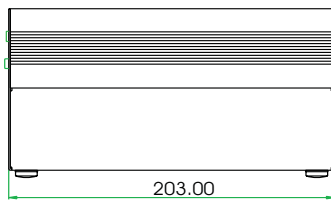
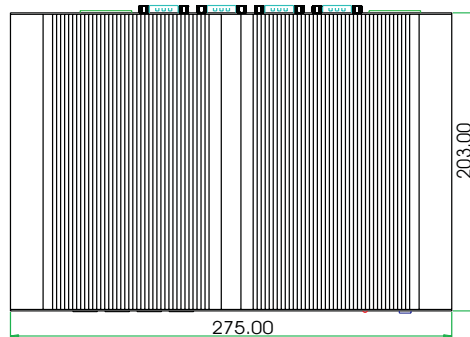


# EC220/221 SERIES

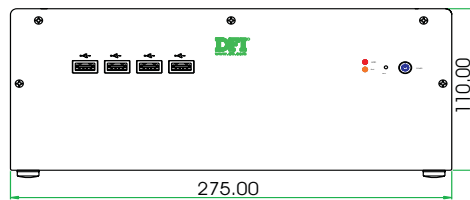
Embedded System



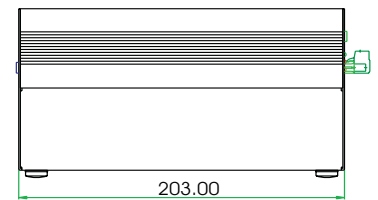
## Dimensions



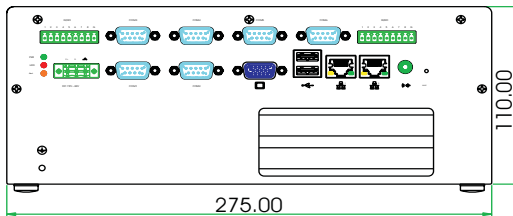
Left View



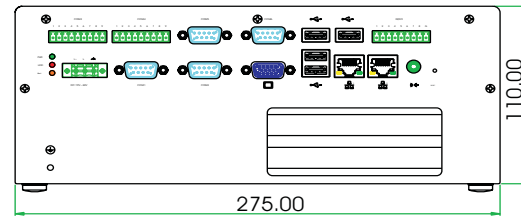
Front View



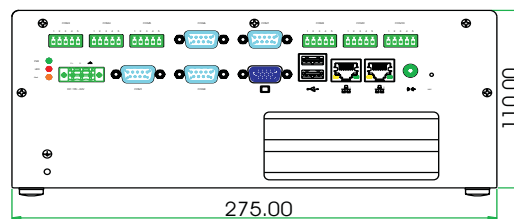
Right View



Rear View  
EC220/221-LR6G60



Rear View  
EC220/221-LR6880



Rear View  
EC220/221-LRA060

## Packing List

- 1 x EC220/221 system unit
- 1 x HDD drive bay kit
  - 2 x brackets
  - 1 x SATA data/power cable
  - 4 x bracket screws
  - 4 x HDD screws
- 1 x 60W power adapter
- 1 x Quick Installation Guide
- 1 x CD disk includes:
  - Drivers
  - Manual

## Optional Items

- 1 x Wallmount kit
  - 2 wallmount brackets
  - Bracket screws
- 1 x VESA mount kit
  - 1 VESA bracket
  - Bracket screws
- 1 x power cord