

**INPUT CHARACTERISTICS:****HG2-6300/6350/6400P**

- VOLTAGE: 90 ~ 240 VAC FULL RANGE
- FREQUENCY : 47 ~ 63 HZ
- INPUT CURRENT:6/7/8.0 A ( RMS ) FOR 115VAC  
3/3.5/4.0 A ( RMS ) FOR 230VAC
- INRUSH CURRENT: 65A MAX. FOR 115 VAC  
125A MAX. FOR 230 VAC

**OUTPUT CHARACTERISTICS:**

OUTPUT VOLTAGE	OUTPUT CURRENT(A)			REGULATION		OUTPUT
	MIN.	MAX.	PEAK	LOAD	LINE	RIPPLE & NOISE MAX. [P-P]
5V	3	35		± 5%	± 1%	50mV
12V	2	22/26/30		+7%/-5%	± 1%	120mV
-5V	0	0.8		±5%	± 1%	150mV
-12V	0	1.0		±5%	± 1%	150mV
3.3V	1	25		± 5%	± 1%	50mV
+5VSB	0.1	2		± 5%	± 1%	50mV

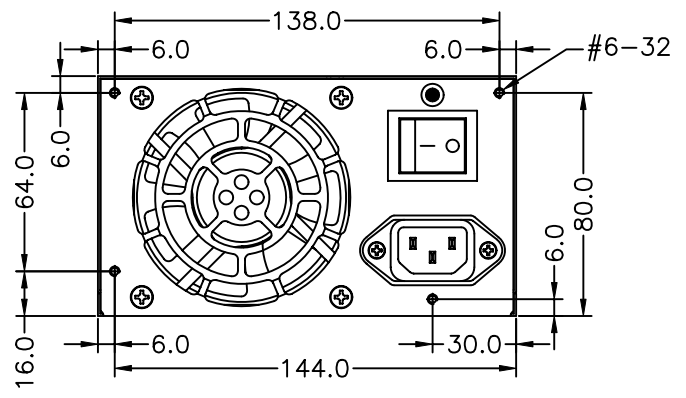
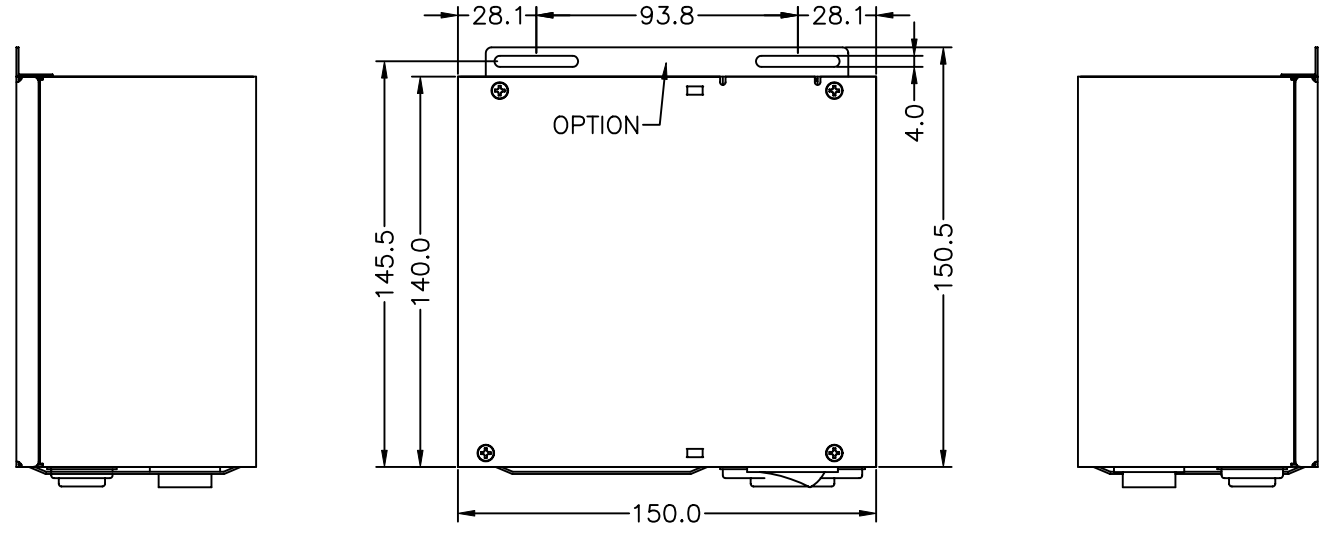
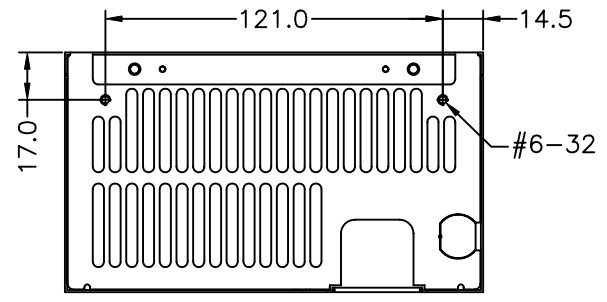
## REMARKS:

1. THE OUTPUT CURRENT OF 5V & 3.3V NOT EXCEED 45A

**SPECIFICATION:**

- TEMPERATURE RANGE: OPERATING 0 --- 40
- HOLD UP TIME: 16 ms MINIMUM AT FULL LOAD & NORMAL INPUT VOLTAGE
- DIELECTRIC WITHSTAND: INPUT / OUTPUT 1500 VAC FOR 1 SECOND  
INPUT TO FRAME GROUND 1500 VAC FOR 1 SECOND
- EFFICIENCY: 68% YPICAL
- POWER GOOD SIGNAL: ON DELAY 100 ms TO 500 ms, OFF DELAY 1 ms
- OVER LOAD PROTECTION: 130 +/- 20%
- OVER VOLTAGE PROTECTION:  
**+5V → 5.7V ~ 6.5V, 3.3V → 3.9 ~ 4.3V, 12V → 13.6 ~ 15V**
- SHORT CIRCUIT PROTECTION: +5V, -5V, +12V, -12V, +3.3V
- EMI NOISE FILTER: FCC CLASS B, CISPR22 CLASS B
- SAFETY: UL 1950, CSA 22.2 NO/ 950, TÜV IEC 950
- REMOTE ON / OFF CONTROL  
THE UNIT SHALL ACCEPT A LOGIC OPEN COLLECTOR LEVEL WHICH WILL DISABLE / ENABLE ALL THE OUTPUT VOLTAGE (EXCLUDE +5V STANDBY), AS LOGIC LEVEL IS LOW, OUTPUTS VOLTAGE WERE ENABLE, AS LOGIC LEVEL IS HIGH, OUTPUTS VOLTAGE WERE DISABLE.
- 3.3V / 5V REMOTE SENSING
- COOLING: ONE 80mm DC FAN,
- DIMENSION: 140 (D) x150 (W) x 86 (H) mm(PS/2)
- ACTIVE POWER FACTOR CORRECTION MEET IEC-1000-3-2 CLASS D.
- ADVANCE THERMAL & ACOUSTICS CONTROL FEATURES

修訂 REVISIONS		日期 DATE
版次 REV.	記號 DESCRIPTION	



品名: **HG2 外觀尺寸圖**  
 MODEL NO:

容許公差:  
 TOLERANCES:  
 .XXX ±.025  
 .XX ±.100  
 .X ±.250

材料規格:  
 MATERIAL:  
 核准者:  
 APPROVE BY:

日期:  
 DATE:  
 日期:  
 DATE:  
 日期:  
 DATE: **JAN-20-2003**

料號:  
 PART NO:  
 圖號: **HG20MA00** 槽號: **HG20MA00**  
 DRAW NO: FILE NO:  
 單位: mm 版次: **A1** 規格: A1 編號: OF  
 UNITS: REV. NO: SPEC.: SHEET:

投影法:  
 PROJECTION:  
 第三角法

審核者:  
 CHECK BY:  
 繪圖者:  
 DRAW BY: