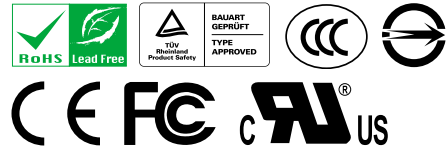


ACE-4525AP

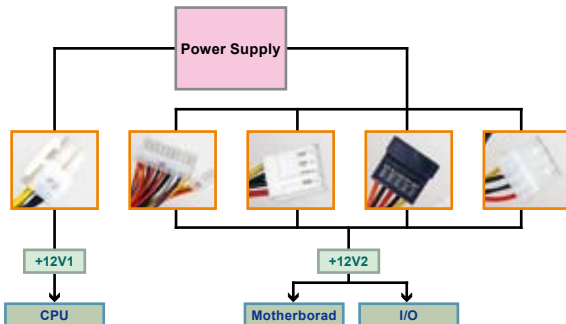
250W 1U Type ATX Power Supply



Features

1. High efficiency
2. Two sets independent +12V output
3. ATX 2.0 standard with new 20+4 ATX power and SATA connector design
4. Full functional over voltage / current protection
5. 100% Hi-pot tested
6. Multiple safety / EMC certificated

Power Connector +12V



Dual 12V Separate Lines:

As processors become faster and more highly integrated, more current is required. To reduce power distribution loss, board manufactures are moving from 5V to 12V power distribution. System components that use 12V are continuing to increase in power.

Version 2.0 of Intel's ATX12V Power Supply Design Guide began recommending dual 12V lines for PSUs that can deliver more than 18A at 12V. Why? To abide by safety requirements of UL and EM 60950, which stipulates not more than 240VA on any wires or exposed traces. Intel's PSU Guide calls for a current limiter that keeps current to under 20A on each of the 12V rails: $12V \times 20A = 240VA$.

What is the safety reason for this 240VA maximum? It's the maximum recommended for an electronic device that a consumer will have reasonable likelihood of access.

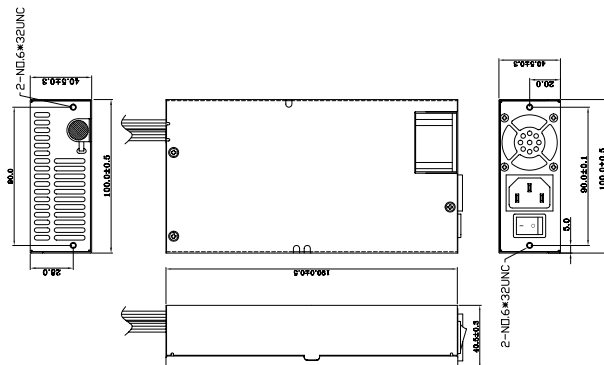
The +12V1 (1st. +12V rail) supply the AUX12V (2x12V) 4-pin plug, which feeds only the CPUs.

The +12V2 (2nd. +12V rail) supplies the 24-pin ATX main power connector & 4-pin Peripheral Power connectors, which feeds for the Mother Board & IO devices dedicated +12V rails for Processors

Specifications

Input	Voltage	90~265V AC Full Range Input		
	Frequency	47 ~ 63HZ		
	Input Current	6A(RMS)@115VAC 3A(RMS)@230VAC		
	Inrush Current	80A Max for 115VAC 120A Max for 230VAC		
Output	Voltage	Min. load	Max. load	Ripple & Noise
	+5V	0.5A	16A	50mV P-P
	+12V1	0.5A	16A	120mV P-P
	+12V2	0.5A	16A	120mV P-P
	-12V	0A	0.5A	120mV P-P
	+3.3V	0.5A	16A	50mV P-P
	+5Vsb	0.1A	2.5A	50mV P-P
	*+12V1, +12V2 total current not exceed 18A			
*Total current of +5V and + 3.3V not exceed 100W				
*Total current of +5V ,+ 3.3V and +12V not exceed 232W				
General Specifications	Over-voltage protection	+5V output 6.5V +12V output 15.6V +3.3V output 4.5V		
	Short Circuit protection	Shut down and latch off		
General Specifications	Watt	250W		
	PFC	Active		
	Hold-up time	18 ms Min.		
	Efficiency	70%		
	MTBF	100,000 hours on max load at +25°C		
	Temperature	Operating : 0 ~ 50°C Storage : -20 ~ 80°C		
	Dimensions	190x100x40.5 (mm)		
	Output Connector	20+4PIN ATX x1, 4PIN 12V CPU x1, HDD/CDROM x4, FDD x1, SATA x2		

Dimensions



Ordering Information

Part No.	Description
ACE-4525AP-RS	250W AC-DC 1U ATX Power Supply, with PFC